

STEEL STRUCTURES



Tab 14



DELTA SAMA JAYA SDN. BHD. (DSSB)

(Company No. 500276-W)

(Registered with Ministry of Finance, Tenaga Nasional Berhad (TNB), CIDB, KTMB, Telekom (TM), etc.)

COMPANY PROFILE FOR STEEL STRUCTURE FABRICATION



No. 23G and 23M, DSSB Building,
Jalan Perdana 6/8, Pandan Perdana, 55300 Kuala Lumpur.
Tel : + 603 - 9282 4007, 03 - 9281 3778 Fax : + 603 - 9287 0705

Website : www.substation.com.my

and

Website : www.cablecleat.com.my

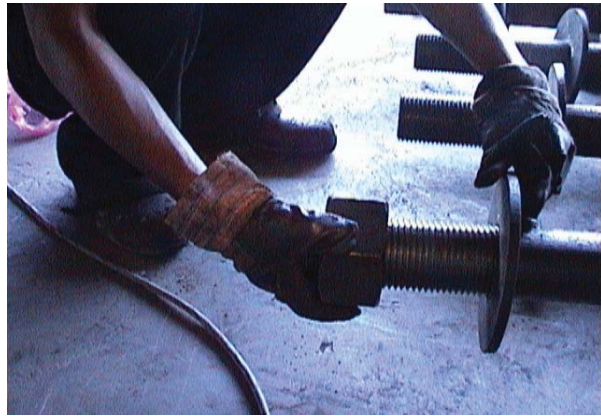
E-mail : samajaya@substation.com.my (General)

E-mail : sales@substation.com.my (Sales)

PRAI POWER PLANT



Anchor Bolts with Foundation Embedded Plate



Another view of Anchor Bolts, Hex.nut & Flat washer



Anchor Bolts and Sleeve Fabrications



I Beam for Jacking Post



Anchor Bolts with Sleeves and Embedded Plate



Anchor Bolts with Foundation Embedded Plate

PRAI POWER PLANT



Another view of anchor bolts



Anchor bolts with welded plates



Different types of Anchor bolts



Anchor Bolts for Turbines

MELAKA 275kV SUBSTATION



HDG Steel member ready for delivery

132kV SUBSTATION GANTRY TOWER



Assembled Steel for Customer Inspection



Front View of 132kV Substation Gantry Tower And Gantry Beam



Fabrication of Steel Member in Progress



Punching of Holes at Steel Member in Progress

HUTAN MELINTANG 132kV SUBSTATION



Circuit Breaker steel support structure

THAZI 230kV SUBSTATION, MYANMAR



Assembled Towers and Beams for customer inspection



Fabrication of different types of Towers and Beams



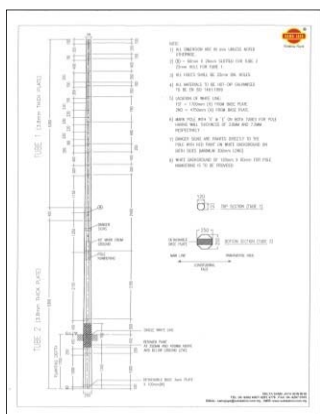
Fabrication of equipment steel structure support

MEIKTILA 230kV SUBSTATION, MYANMAR



Fabrication of different types of Towers and Beams

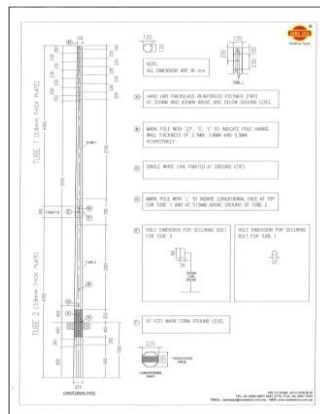
STEEL POLE



Advantages of our Galvanised Steel Poles

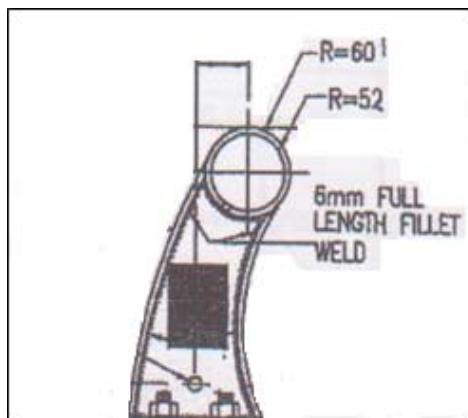
- Minimal maintenance & inspection
- Light in weight thus reduces handling and installation costs
- Does not crack & split during transportation
- Recyclable
- Durable

Pole Type	Height (m)	Weight (kg)	Material	Galvanizing	Coating Thickness (µm)	Min. Thickness (µm)	Max. Thickness (µm)	Min. Weight (kg)	Max. Weight (kg)
Steel Pole	10	1,200	Q235	Hot Dip	100	80	120	100	1,200
Steel Pole	15	1,800	Q235	Hot Dip	100	80	120	1,500	1,800
Steel Pole	20	2,400	Q235	Hot Dip	100	80	120	2,000	2,400
Steel Pole	25	3,000	Q235	Hot Dip	100	80	120	2,500	3,000
Steel Pole	30	3,600	Q235	Hot Dip	100	80	120	3,000	3,600
Steel Pole	35	4,200	Q235	Hot Dip	100	80	120	3,500	4,200
Steel Pole	40	4,800	Q235	Hot Dip	100	80	120	4,000	4,800
Steel Pole	45	5,400	Q235	Hot Dip	100	80	120	4,500	5,400
Steel Pole	50	6,000	Q235	Hot Dip	100	80	120	5,000	6,000



Parapet Guardrail Post

Product Code
DSSB-MSC-PRP-HDG



LAMP POST



ABC POLES



LATTICE STEEL STRUCTURES



TUBULAR STEEL STRUCTURES



TELECOMMUNICATION MONOPOLE



MONOPOLE TREE



HIGH TENSION TRANSMISSION MONOPOLE

