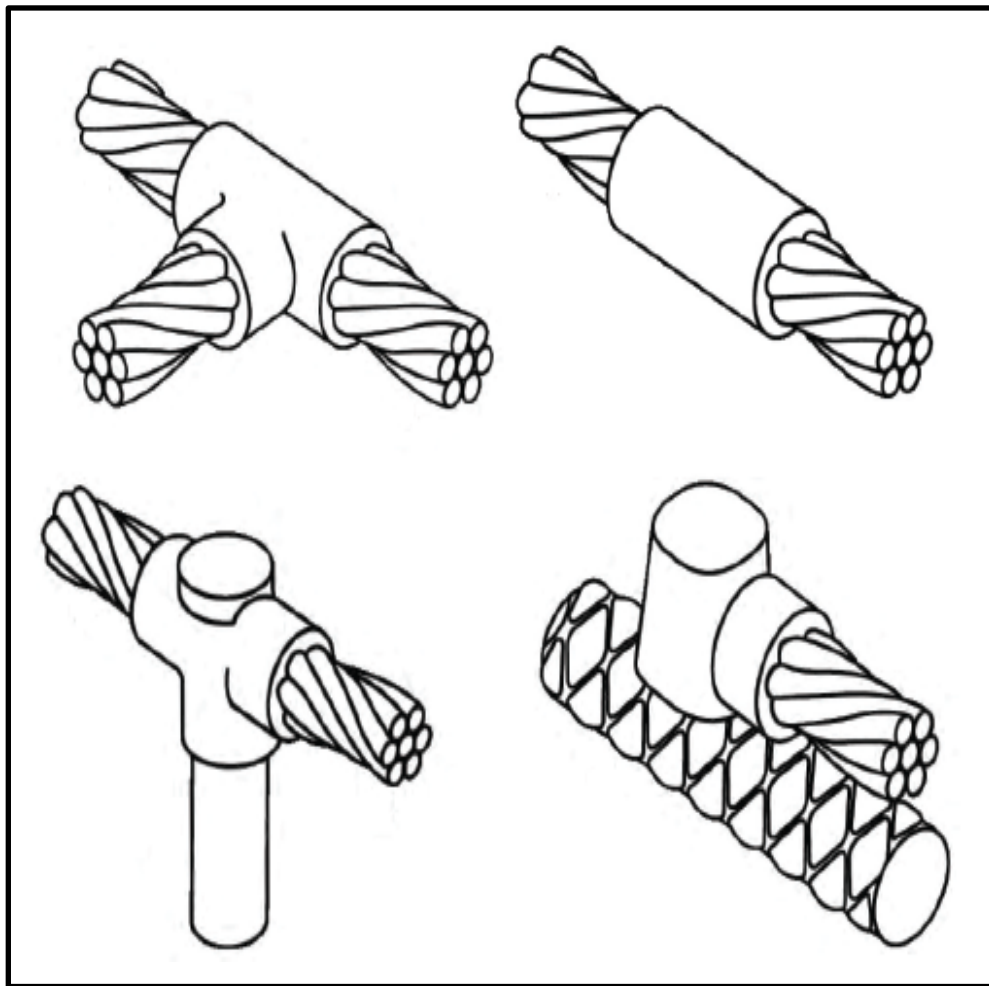


Exothermic Welding



Tab 21



Redefining Supply
 An ISO 9001:2015 &
 14001:2015 Company

DELTA SAMA JAYA SDN. BHD. (DSSB) (Reg. No: 500276-W)

No. 23G & 23M, DSSB Building, Jalan Perdana 6/8, Pandan Perdana,
 55300 Kuala Lumpur, Malaysia

Tel: +603-92824007, +603-92813778 Fax: +603-92870705

Email: (HQ): samajaya@substation.com.my, (Sales): sales@substation.com.my

Website: www.substation.com.my, www.cablecleat.com.my



SELECTION CHART

Cable to Cable

| | | | | | | | |
|------------------|------------------|------------------|------------------|------------------|------------------|------------------|------------------|
| See Note CC1 | See Note CC2 | See Note CC3 | See Note CC4 | See Note CC5 | See Note CC6 | See Note CC7 | See Note CC8 |
| See Note CC11 | See Note CC13 | See Note CC14 | See Note CC17 | See Note CC18 | See Note CC19 | See Note CC20 | See Note CC22 |
| See Note CC23 | See Note CC24 | See Note CC25 | See Note CC26 | See Note CC27 | See Note CC28 | See Note CC29 | See Note CC30 |
| See Note CC31 | See Note CC33 | See Note CC34 | | | | | |

Cable to Bus Bar

| | | | | | | | |
|-----------------------|------------------|------------------|------------------|------------------|------------------|------------------|------------------|
| See Note (Lug) CB1 | See Note CB1 | See Note CB2 | See Note CB3 | See Note CB4 | See Note CB5 | See Note CB6 | See Note CB7 |
| See Note CB8 | See Note CB9 | See Note CB10 | See Note CB11 | See Note CB12 | See Note CB15 | See Note CB16 | See Note CB17 |
| See Note CB18 | See Note CB19 | See Note CB20 | See Note CB21 | See Note CB22 | See Note CB23 | See Note CB24 | See Note CB25 |
| See Note CB26 | See Note CB27 | See Note CB28 | See Note CB29 | See Note CB30 | See Note CB31 | See Note CB32 | See Note CB34 |



An ISO 9001:2015 &
 14001:2015 Company

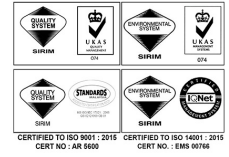
DELTA SAMA JAYA SDN. BHD. (DSSB) (Reg. No: 500276-W)

No. 23G & 23M, DSSB Building, Jalan Perdana 6/8, Pandan Perdana,
 55300 Kuala Lumpur, Malaysia

Tel: +603-92824007, +603-92813778 Fax: +603-92870705









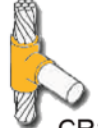



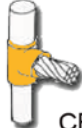

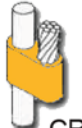
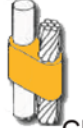













Email: (HQ): samajaya@substation.com.my, (Sales): sales@substation.com.my

Website: www.substation.com.my, www.cablecleat.com.my



SELECTION CHART

Cable to Ground Rod

| | | | | | | | |
|---|---|---|---|---|--|--|--|
|  CR1 |  CR2 |  CR3 |  CR5 |  CR6 |  CR7 |  CR8 |  CR9 |
|  CR12 |  CR13 |  CR14 |  CR15 |  CR16 |  CR17 |  CR18 |  CR19 |
|  CR20 |  CR21 |  CR22 |  CR23 |  CR24 |  CR25 |  CR26 |  CR27 |
|  CR29 |  CR30 |  CR31 |  CR32 |  CR33 | | | |



Redefining Supply
An ISO 9001:2015 &
14001:2015 Company

DELTA SAMA JAYA SDN. BHD. (DSSB) (Reg. No: 500276-W)

No. 23G & 23M, DSSB Building, Jalan Perdana 6/8, Pandan Perdana,
55300 Kuala Lumpur, Malaysia

Tel: +603-92824007, +603-92813778 Fax: +603-92870705

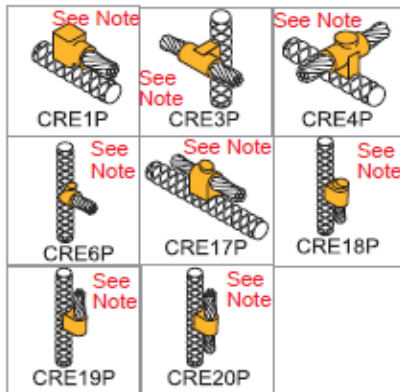
Email: (HQ): samajaya@substation.com.my, (Sales): sales@substation.com.my

Website: www.substation.com.my, www.cablecleat.com.my

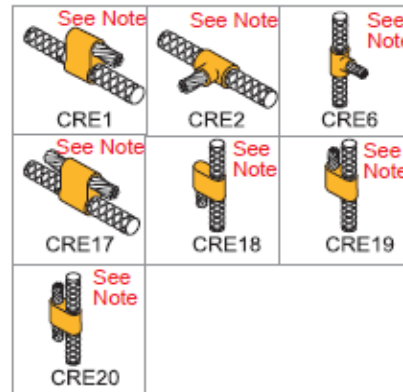


SELECTION CHART

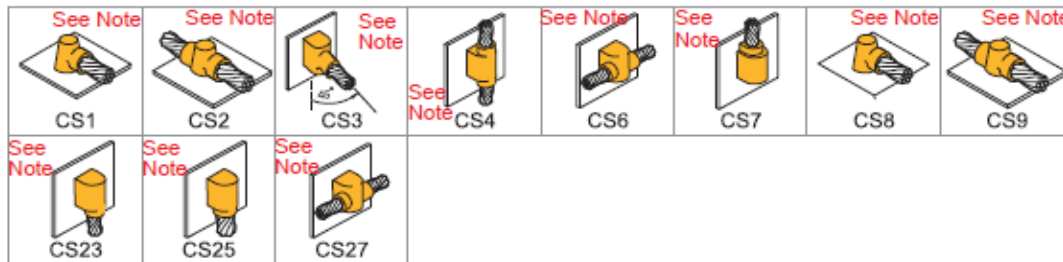
Cable to Rebar (Partially Wrapped)



Cable to Rebar (Fully Wrapped)



Cable to Steel





Redefining Supply
An ISO 9001:2015 &
14001:2015 Company

DELTA SAMA JAYA SDN. BHD. (DSSB) (Reg. No: 500276-W)

No. 23G & 23M, DSSB Building, Jalan Perdana 6/8, Pandan Perdana,
55300 Kuala Lumpur, Malaysia
Tel: +603-92824007, +603-92813778 Fax: +603-92870705
Email: (HQ): samajaya@substation.com.my, (Sales): sales@substation.com.my
Website: www.substation.com.my, www.cablecleat.com.my



SELECTION CHART

Bus Bar to Bus Bar



Bus Bar to Ground Rod



Bus Bar to Steel



Copper or Steel Stud to Steel





Redefining Supply
 An ISO 9001:2015 &
 14001:2015 Company

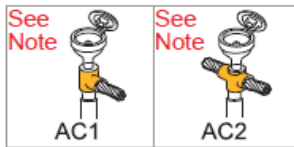
DELTA SAMA JAYA SDN. BHD. (DSSB) (Reg. No: 500276-W)

No. 23G & 23M, DSSB Building, Jalan Perdana 6/8, Pandan Perdana,
 55300 Kuala Lumpur, Malaysia
 Tel: +603-92824007, +603-92813778 Fax: +603-92870705
 Email: (HQ): samajaya@substation.com.my, (Sales): sales@substation.com.my
 Website: www.substation.com.my, www.cablecleat.com.my

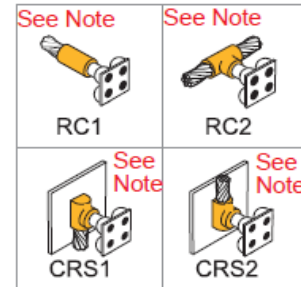


SELECTION CHART

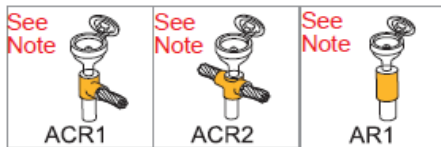
CGR



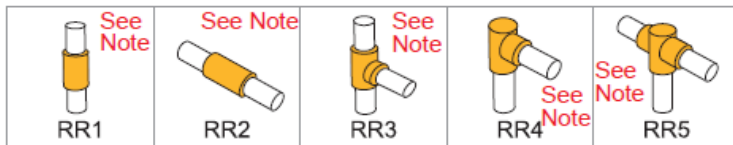
Ground Plates to Cable & Steel



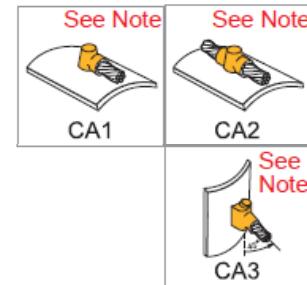
CGRG



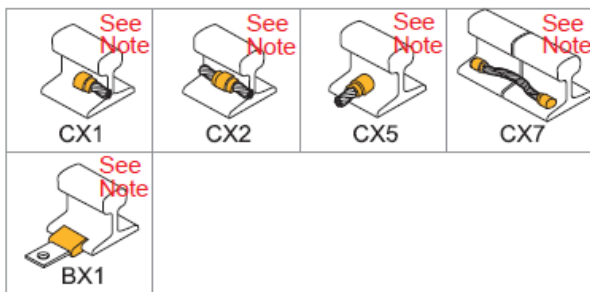
Ground Rod to Ground Rod



Cathodic Protection



Railway Application

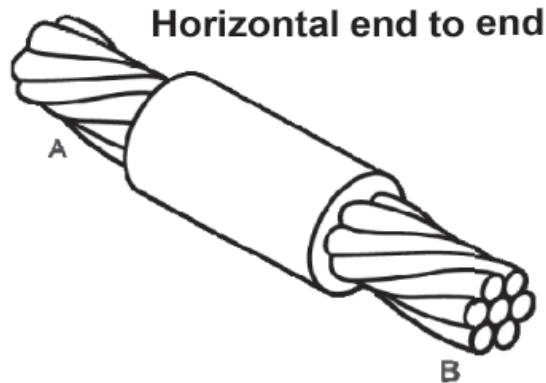


Rebar to Rebar



CGR = Cable to Grounding Receptacle
 CGRG = Cable & Grounding Receptacle to Ground Rod

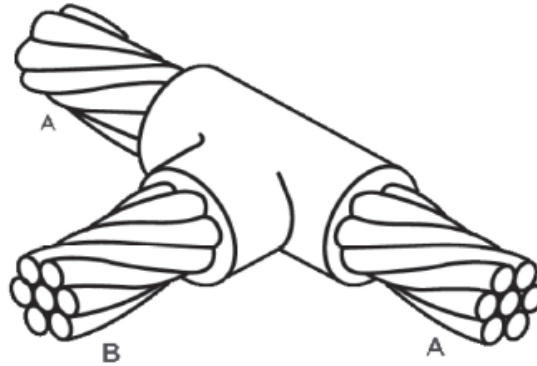
CABLE TO CABLE CC1



| Conductor Size | | Metal Powder (g) | Graphite Mould Type | Handle Clamp Type |
|------------------|------------------|------------------|---------------------|-------------------|
| Amm ² | Bmm ² | | | |
| 10 | 10 | 25 | DSSB-CC1-C-1010 | DSSB-HCC00 |
| 16 | 16 | 32 | DSSB-CC1-C-1616 | DSSB-HCC00 |
| 25 | 25 | 32 | DSSB-CC1-C-2525 | DSSB-HCC00 |
| 35 | 35 | 32 | DSSB-CC1-C-3535 | DSSB-HCC00 |
| Ø8mm | Ø8mm | 45 | DSSB-CC1-C-8SC8SC | DSSB-HCC00 |
| 50 | 50 | 45 | DSSB-CC1-C-5050 | DSSB-HCC00 |
| Ø10mm | Ø10mm | 65 | DSSB-CC1-C-10SC10SC | DSSB-HCC00 |
| 70 | 70 | 65 | DSSB-CC1-C-7070 | DSSB-HCC00 |
| 95 | 95 | 90 | DSSB-CC1-C-9595 | DSSB-HCC00 |
| 120 | 120 | 115 | DSSB-CC1-C-120120 | DSSB-HCC00 |
| 150 | 150 | 115 | DSSB-CC1-C-150150 | DSSB-HCC00 |
| 185 | 185 | 150 | DSSB-CC1-C-185185 | DSSB-HCC00 |
| 240 | 240 | 200 | DSSB-CC1-C-240240 | DSSB-HCC00 |
| 300 | 300 | 250 | DSSB-CC1-C-300300 | DSSB-HCC00 |
| 400 | 400 | 2 x 150 | DSSB-CC1-D-300400 | DSSB-HCD00 |
| 500 | 500 | 2 x 200 | DSSB-CC1-D-300500 | DSSB-HCD00 |

EXOTHERMIC WELDING

CABLE TO CABLE CC2

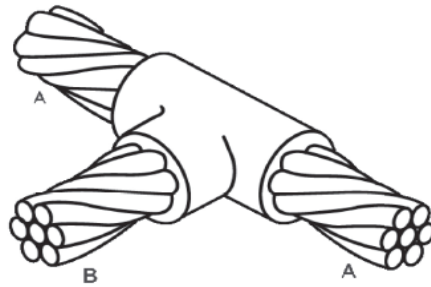


Horizontal cable tap to horizontal cable run

| Conductor Size | | Metal Powder (g) | Graphite Mould Type | Handle Clamp Type |
|------------------|------------------|------------------|---------------------|-------------------|
| Amm ² | Bmm ² | | | |
| 10 | 10 | 32 | DSSB-CC2-C-1010 | DSSB-HCC00 |
| 16 | 16 | 32 | DSSB-CC2-C-1616 | DSSB-HCC00 |
| 25 | 25 | 45 | DSSB-CC2-C-2525 | DSSB-HCC00 |
| 35 | 35 | 65 | DSSB-CC2-C-3535 | DSSB-HCC00 |
| | 25 | 65 | DSSB-CC2-C-3525 | DSSB-HCC00 |
| Ø8mm | Ø8mm | 90 | DSSB-CC2-C-8SC8SC | DSSB-HCC00 |
| 50 | 50 | 90 | DSSB-CC2-C-5050 | DSSB-HCC00 |
| | 35 | 90 | DSSB-CC2-C-5035 | DSSB-HCC00 |
| | 25 | 65 | DSSB-CC2-C-5025 | DSSB-HCC00 |
| Ø10mm | Ø10mm | 115 | DSSB-CC2-C-10SC10SC | DSSB-HCC00 |
| 70 | 70 | 115 | DSSB-CC2-C-7070 | DSSB-HCC00 |
| | 50 | 115 | DSSB-CC2-C-7050 | DSSB-HCC00 |
| | 35 | 90 | DSSB-CC2-C-7035 | DSSB-HCC00 |
| | 25 | 90 | DSSB-CC2-C-7025 | DSSB-HCC00 |
| 95 | 95 | 150 | DSSB-CC2-C-9595 | DSSB-HCC00 |
| | 70 | 150 | DSSB-CC2-C-9570 | DSSB-HCC00 |
| | 50 | 115 | DSSB-CC2-C-9550 | DSSB-HCC00 |
| | 35 | 115 | DSSB-CC2-C-9535 | DSSB-HCC00 |
| 120 | 120 | 200 | DSSB-CC2-C-120120 | DSSB-HCC00 |
| | 95 | 200 | DSSB-CC2-C-12095 | DSSB-HCC00 |
| | 70 | 150 | DSSB-CC2-C-12070 | DSSB-HCC00 |
| | 50 | 150 | DSSB-CC2-C-12050 | DSSB-HCC00 |
| 150 | 150 | 150*2 | DSSB-CC2-C-150150 | DSSB-HCC00 |
| | 120 | 250 | DSSB-CC2-C-150120 | DSSB-HCC00 |
| | 95 | 200 | DSSB-CC2-C-15095 | DSSB-HCC00 |
| | 70 | 150 | DSSB-CC2-C-15070 | DSSB-HCC00 |

EXOTHERMIC WELDING

CABLE TO CABLE CC2

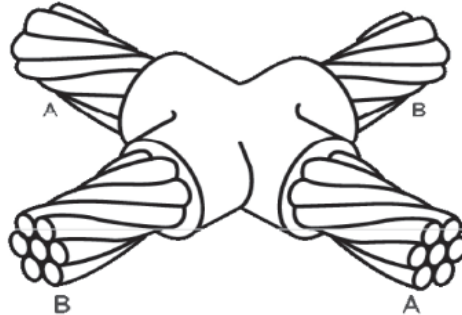


**Horizontal cable tap to
horizontal cable run**

| Conductor Size | | Metal Powder (g) | Graphite Mould Type | Handle Clamp Type |
|------------------|------------------|---------------------|---------------------|----------------------|
| Amm ² | Bmm ² | | | |
| 185 | 185 | 200 | DSSB-CC2-C-185185 | DSSB-HCC00 |
| | 150 | 200 | DSSB-CC2-C-185150 | DSSB-HCC00 |
| | 120 | 200 | DSSB-CC2-C-185120 | DSSB-HCC00 |
| | 95 | 150 | DSSB-CC2-C-18595 | DSSB-HCC00 |
| | 70 | 90 | DSSB-CC2-C-18570 | DSSB-HCC00 |
| | 50 | 90 | DSSB-CC2-C-18550 | DSSB-HCC00 |
| | 35 | 90 | DSSB-CC2-C-18535 | DSSB-HCC00 |
| | 25 | 90 | DSSB-CC2-C-18525 | DSSB-HCC00 |
| 240 | 240 | 150*2 | DSSB-CC2-C-240240 | DSSB-HCC00 |
| | 185 | 200 | DSSB-CC2-C-240185 | DSSB-HCC00 |
| | 150 | 200 | DSSB-CC2-C-240150 | DSSB-HCC00 |
| | 120 | 200 | DSSB-CC2-C-240120 | DSSB-HCC00 |
| | 95 | 150 | DSSB-CC2-C-24095 | DSSB-HCC00 |
| | 70 | 90 | DSSB-CC2-C-24070 | DSSB-HCC00 |
| | 50 | 90 | DSSB-CC2-C-24050 | DSSB-HCC00 |
| | 35 | 90 | DSSB-CC2-C-24035 | DSSB-HCC00 |
| | 25 | 90 | DSSB-CC2-C-24025 | DSSB-HCC00 |
| 300 | 300 | 200*2 | DSSB-CC2-D-300300 | DSSB-HCD00 |
| | 240 | 200*2 | DSSB-CC2-D-300240 | DSSB-HCD00 |
| | 185 | 250 | DSSB-CC2-C-300185 | DSSB-HCC00 |
| | 150 | 200 | DSSB-CC2-C-300150 | DSSB-HCC00 |
| | 120 | 150 | DSSB-CC2-C-300120 | DSSB-HCC00 |
| | 95 | 150 | DSSB-CC2-C-30095 | DSSB-HCC00 |
| | 70 | 150 | DSSB-CC2-C-30070 | DSSB-HCC00 |
| | 50 | 150 | DSSB-CC2-C-30050 | DSSB-HCC00 |
| | 35 | 150 | DSSB-CC2-C-30035 | DSSB-HCC00 |
| | 25 | 150 | DSSB-CC2-C-30025 | DSSB-HCC00 |

EXOTHERMIC WELDING

CABLE TO CABLE CC4

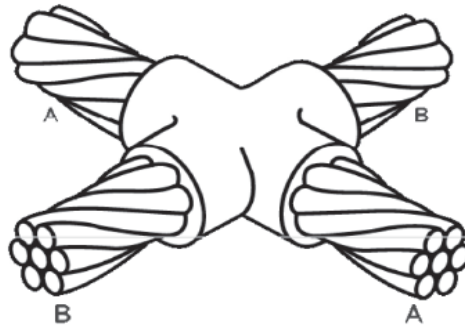


Horizontal to horizontal
cable cross

| Conductor Size | | Metal Powder (g) | Graphite Mould Type | Handle Clamp Type |
|------------------|------------------|---------------------|---------------------|----------------------|
| Amm ² | Bmm ² | | | |
| 25 | 25 | 45 | DSSB-CC4-C-2525 | DSSB-HCC00 |
| 35 | 35 | 65 | DSSB-CC4-C-3535 | DSSB-HCC00 |
| 50 | 50 | 90 | DSSB-CC4-C-5050 | DSSB-HCC00 |
| | 35 | 90 | DSSB-CC4-C-5035 | DSSB-HCC00 |
| | 25 | 90 | DSSB-CC4-C-5025 | DSSB-HCC00 |
| Ø10mm | Ø10mm | 115 | DSSB-CC4-C-10SC10SC | DSSB-HCC00 |
| 70 | 70 | 115 | DSSB-CC4-C-7070 | DSSB-HCC00 |
| | 50 | 115 | DSSB-CC4-C-7050 | DSSB-HCC00 |
| | 35 | 115 | DSSB-CC4-C-7035 | DSSB-HCC00 |
| | 25 | 115 | DSSB-CC4-C-7025 | DSSB-HCC00 |
| 95 | 95 | 150 | DSSB-CC4-C-9595 | DSSB-HCC00 |
| | 70 | 150 | DSSB-CC4-C-9570 | DSSB-HCC00 |
| | 50 | 115 | DSSB-CC4-C-9550 | DSSB-HCC00 |
| | 35 | 115 | DSSB-CC4-C-9535 | DSSB-HCC00 |
| | 25 | 115 | DSSB-CC4-C-9525 | DSSB-HCC00 |
| 120 | 120 | 200 | DSSB-CC4-C-120120 | DSSB-HCC00 |
| | 95 | 200 | DSSB-CC4-C-12095 | DSSB-HCC00 |
| | 70 | 150 | DSSB-CC4-C-12070 | DSSB-HCC00 |
| | 50 | 150 | DSSB-CC4-C-12050 | DSSB-HCC00 |
| | 35 | 115 | DSSB-CC4-C-12035 | DSSB-HCC00 |
| | 25 | 115 | DSSB-CC4-C-12025 | DSSB-HCC00 |
| 150 | 150 | 250 | DSSB-CC4-C-150150 | DSSB-HCC00 |
| | 120 | 250 | DSSB-CC4-C-150120 | DSSB-HCC00 |
| | 95 | 200 | DSSB-CC4-C-15095 | DSSB-HCC00 |
| | 70 | 150 | DSSB-CC4-C-15070 | DSSB-HCC00 |
| | 50 | 150 | DSSB-CC4-C-15050 | DSSB-HCC00 |
| | 35 | 115 | DSSB-CC4-C-15035 | DSSB-HCC00 |
| | 25 | 115 | DSSB-CC4-C-15025 | DSSB-HCC00 |

EXOTHERMIC WELDING

CABLE TO CABLE CC4

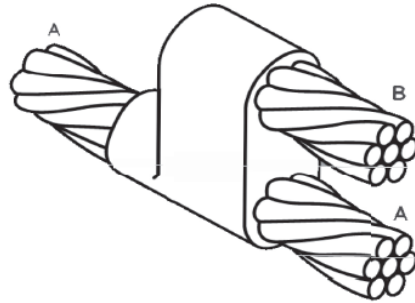


Horizontal to horizontal
cable cross

| Conductor Size | | Metal Powder (g) | Graphite Mould Type | Handle Clamp Type |
|------------------|------------------|---------------------|---------------------|----------------------|
| Amm ² | Bmm ² | | | |
| 185 | 185 | 2*150 | DSSB-CC4-C-185185 | DSSB-HCC00 |
| | 150 | 250 | DSSB-CC4-C-185150 | DSSB-HCC00 |
| | 120 | 250 | DSSB-CC4-C-185120 | DSSB-HCC00 |
| | 95 | 200 | DSSB-CC4-C-18595 | DSSB-HCC00 |
| | 70 | 200 | DSSB-CC4-C-18570 | DSSB-HCC00 |
| | 50 | 200 | DSSB-CC4-C-18550 | DSSB-HCC00 |
| | 35 | 150 | DSSB-CC4-C-18535 | DSSB-HCC00 |
| | 25 | 150 | DSSB-CC4-C-18525 | DSSB-HCC00 |
| 240 | 240 | 2*250 | DSSB-CC4-D-240240 | DSSB-HCD00 |
| | 185 | 2*200 | DSSB-CC4-D-240185 | DSSB-HCD00 |
| | 150 | 2*200 | DSSB-CC4-D-240150 | DSSB-HCD00 |
| | 120 | 2*150 | DSSB-CC4-C-240120 | DSSB-HCC00 |
| | 95 | 2*150 | DSSB-CC4-C-24095 | DSSB-HCC00 |
| | 70 | 250 | DSSB-CC4-C-24070 | DSSB-HCC00 |
| 300 | 50 | 250 | DSSB-CC4-C-24050 | DSSB-HCC00 |
| | 300 | 3*200 | DSSB-CC4-D-300300 | DSSB-HCD00 |
| | 240 | 3*200 | DSSB-CC4-D-300240 | DSSB-HCD00 |
| | 185 | 2*250 | DSSB-CC4-D-300185 | DSSB-HCD00 |
| | 150 | 2*250 | DSSB-CC4-D-300150 | DSSB-HCD00 |
| | 120 | 2*200 | DSSB-CC4-D-300120 | DSSB-HCD00 |
| | 95 | 2*200 | DSSB-CC4-D-30095 | DSSB-HCD00 |

EXOTHERMIC WELDING

CABLE TO CABLE CC6

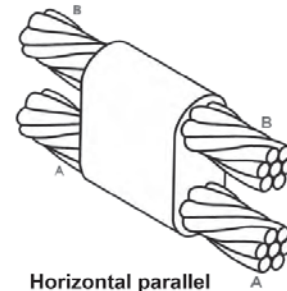


Horizontal parallel cable tap

| Conductor Size | | Metal Powder (g) | Graphite Mould Type | Handle Clamp Type |
|------------------|------------------|------------------|---------------------|-------------------|
| Amm ² | Bmm ² | | | |
| 10 | 10 | 45 | DSSB-CC6-C-1010 | DSSB-HCC00 |
| 16 | 16 | 45 | DSSB-CC6-C-1616 | DSSB-HCC00 |
| 25 | 25 | 45 | DSSB-CC6-C-2525 | DSSB-HCC00 |
| 35 | 35 | 65 | DSSB-CC6-C-3535 | DSSB-HCC00 |
| | 25 | 65 | DSSB-CC6-C-3525 | DSSB-HCC00 |
| 50 | 50 | 90 | DSSB-CC6-C-5050 | DSSB-HCC00 |
| | 35 | 65 | DSSB-CC6-C-5035 | DSSB-HCC00 |
| | 25 | 65 | DSSB-CC6-C-5025 | DSSB-HCC00 |
| 70 | 70 | 115 | DSSB-CC6-C-7070 | DSSB-HCC00 |
| | 50 | 115 | DSSB-CC6-C-7050 | DSSB-HCC00 |
| | 35 | 90 | DSSB-CC6-C-7035 | DSSB-HCC00 |
| | 25 | 90 | DSSB-CC6-C-7025 | DSSB-HCC00 |
| 95 | 95 | 150 | DSSB-CC6-C-9595 | DSSB-HCC00 |
| | 70 | 115 | DSSB-CC6-C-9570 | DSSB-HCC00 |
| | 50 | 115 | DSSB-CC6-C-9550 | DSSB-HCC00 |
| | 35 | 115 | DSSB-CC6-C-9535 | DSSB-HCC00 |
| 120 | 120 | 200 | DSSB-CC6-C-120120 | DSSB-HCC00 |
| | 95 | 200 | DSSB-CC6-C-12095 | DSSB-HCC00 |
| | 70 | 150 | DSSB-CC6-C-12070 | DSSB-HCC00 |
| | 50 | 115 | DSSB-CC6-C-12050 | DSSB-HCC00 |

EXOTHERMIC WELDING

CABLE TO CABLE CC7

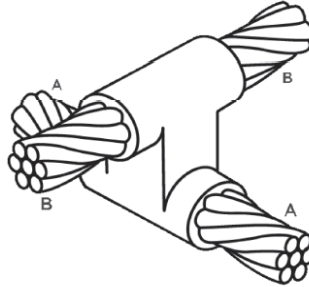


Horizontal parallel
thru cables

| Conductor Size | | Metal Powder (g) | Graphite Mould Type | Handle Clamp Type |
|------------------|------------------|---------------------|---------------------|----------------------|
| Amm ² | Bmm ² | | | |
| 10 | 10 | 32 | DSSB-CC7-C-1010 | DSSB-HCC00 |
| 16 | 16 | 32 | DSSB-CC7-C-1616 | DSSB-HCC00 |
| 25 | 25 | 45 | DSSB-CC7-C-2525 | DSSB-HCC00 |
| 35 | 35 | 65 | DSSB-CC7-C-3535 | DSSB-HCC00 |
| | 25 | 65 | DSSB-CC7-C-3525 | DSSB-HCC00 |
| Ø8mm | Ø8mm | 90 | DSSB-CC7-C-8SC8SC | DSSB-HCC00 |
| 50 | 50 | 90 | DSSB-CC7-C-5050 | DSSB-HCC00 |
| | 35 | 90 | DSSB-CC7-C-5035 | DSSB-HCC00 |
| | 25 | 65 | DSSB-CC7-C-5025 | DSSB-HCC00 |
| Ø10mm | Ø10mm | 115 | DSSB-CC7-C-10SC10SC | DSSB-HCC00 |
| 70 | 70 | 115 | DSSB-CC7-C-7070 | DSSB-HCC00 |
| | 50 | 115 | DSSB-CC7-C-7050 | DSSB-HCC00 |
| | 35 | 90 | DSSB-CC7-C-7035 | DSSB-HCC00 |
| | 25 | 90 | DSSB-CC7-C-7025 | DSSB-HCC00 |
| 95 | 95 | 150 | DSSB-CC7-C-9595 | DSSB-HCC00 |
| | 70 | 150 | DSSB-CC7-C-9570 | DSSB-HCC00 |
| | 50 | 115 | DSSB-CC7-C-9550 | DSSB-HCC00 |
| | 35 | 115 | DSSB-CC7-C-9535 | DSSB-HCC00 |
| 120 | 120 | 200 | DSSB-CC7-C-120120 | DSSB-HCC00 |
| | 95 | 200 | DSSB-CC7-C-12095 | DSSB-HCC00 |
| | 70 | 150 | DSSB-CC7-C-12070 | DSSB-HCC00 |
| | 50 | 150 | DSSB-CC7-C-12050 | DSSB-HCC00 |
| 150 | 150 | 150*2 | DSSB-CC7-D-150150 | DSSB-HCD00 |
| | 120 | 250 | DSSB-CC7-C-150120 | DSSB-HCC00 |
| | 95 | 200 | DSSB-CC7-C-15095 | DSSB-HCC00 |
| | 70 | 150 | DSSB-CC7-C-15070 | DSSB-HCC00 |
| 185 | 185 | 150*2 | DSSB-CC7-D-185185 | DSSB-HCD00 |
| | 150 | 150*2 | DSSB-CC7-D-185150 | DSSB-HCD00 |
| | 120 | 250 | DSSB-CC7-D-185120 | DSSB-HCC00 |
| | 95 | 200 | DSSB-CC7-D-18595 | DSSB-HCC00 |
| 240 | 240 | 200*2 | DSSB-CC7-D-240240 | DSSB-HCD00 |
| | 185 | 150*2 | DSSB-CC7-D-240185 | DSSB-HCD00 |
| | 150 | 150*2 | DSSB-CC7-D-240150 | DSSB-HCD00 |
| | 120 | 250 | DSSB-CC7-C-240120 | DSSB-HCC00 |
| 300 | 300 | 250*2 | DSSB-CC7-D-300300 | DSSB-HCD00 |
| | 240 | 250*2 | DSSB-CC7-D-300240 | DSSB-HCD00 |
| | 185 | 200*2 | DSSB-CC7-D-300185 | DSSB-HCD00 |
| | 150 | 150*2 | DSSB-CC7-D-300150 | DSSB-HCD00 |

EXOTHERMIC WELDING

CABLE TO CABLE CC11

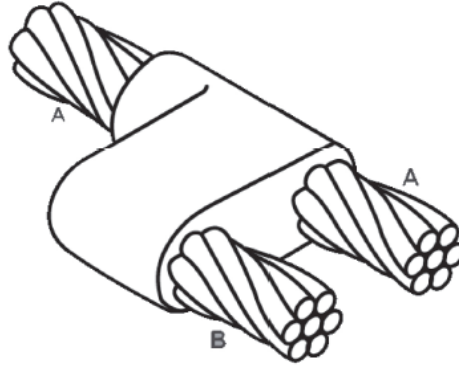


Horizontal to horizontal
cable cross

| Conductor Size | | Metal Powder (g) | Graphite Mould Type | Handle Clamp Type |
|------------------|------------------|------------------|---------------------|-------------------|
| Amm ² | Bmm ² | | | |
| 25 | 25 | 65 | DSSB-CC11-M-2525 | DSSB-HCC00 |
| 35 | 35 | 90 | DSSB-CC11-M-3535 | DSSB-HCC00 |
| 50 | 50 | 150 | DSSB-CC11-M-5050 | DSSB-HCC00 |
| 70 | 70 | 200 | DSSB-CC11-M-7070 | DSSB-HCC00 |
| | 50 | 200 | DSSB-CC11-M-7050 | DSSB-HCC00 |
| | 35 | 150 | DSSB-CC11-M-7035 | DSSB-HCC00 |
| 95 | 95 | 250 | DSSB-CC11-M-9595 | DSSB-HCC00 |
| | 70 | 250 | DSSB-CC11-M-9570 | DSSB-HCC00 |
| | 50 | 200 | DSSB-CC11-M-9550 | DSSB-HCC00 |
| | 35 | 200 | DSSB-CC11-M-9535 | DSSB-HCC00 |
| 120 | 120 | 2*150 | DSSB-CC11-M-120120 | DSSB-HCC00 |
| | 95 | 2*150 | DSSB-CC11-M-12095 | DSSB-HCC00 |
| | 70 | 250 | DSSB-CC11-M-12070 | DSSB-HCC00 |
| | 50 | 250 | DSSB-CC11-M-12050 | DSSB-HCC00 |
| | 35 | 200 | DSSB-CC11-M-15035 | DSSB-HCC00 |
| 150 | 150 | 2*200 | DSSB-CC11-V-150150 | DSSB-HCD00 |
| | 120 | 2*200 | DSSB-CC11-V-150120 | DSSB-HCD00 |
| | 95 | 2*150 | DSSB-CC11-M-15095 | DSSB-HCC00 |
| | 70 | 2*150 | DSSB-CC11-M-15070 | DSSB-HCC00 |
| | 50 | 250 | DSSB-CC11-M-15050 | DSSB-HCC00 |
| | 35 | 250 | DSSB-CC11-M-15035 | DSSB-HCC00 |
| 185 | 185 | 2*250 | DSSB-CC11-V-185185 | DSSB-HCD00 |
| | 150 | 2*250 | DSSB-CC11-V-185150 | DSSB-HCD00 |
| | 120 | 2*250 | DSSB-CC11-V-185120 | DSSB-HCD00 |
| | 95 | 2*200 | DSSB-CC11-V-18595 | DSSB-HCD00 |
| | 70 | 2*150 | DSSB-CC11-M-18570 | DSSB-HCC00 |
| | 50 | 2*150 | DSSB-CC11-M-18550 | DSSB-HCC00 |
| | 35 | 2*150 | DSSB-CC11-M-18535 | DSSB-HCC00 |
| 240 | 240 | 3*200 | DSSB-CC11-V-240240 | DSSB-HCD00 |
| | 185 | 3*200 | DSSB-CC11-V-240185 | DSSB-HCD00 |
| | 150 | 3*200 | DSSB-CC11-V-240150 | DSSB-HCD00 |
| | 120 | 3*200 | DSSB-CC11-V-240120 | DSSB-HCD00 |
| | 95 | 2*250 | DSSB-CC11-V-24095 | DSSB-HCD00 |
| | 70 | 2*250 | DSSB-CC11-V-24070 | DSSB-HCD00 |
| | 50 | 2*200 | DSSB-CC11-V-24050 | DSSB-HCC00 |

EXOTHERMIC WELDING

CABLE TO CABLE CC13

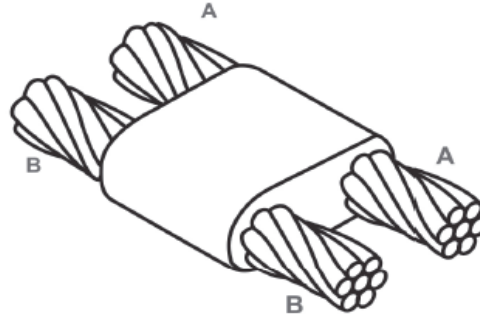


Horizontal parallel
cable tap (side by side)

| Conductor Size | | Metal Powder (g) | Graphite Mould Type | Handle Clamp Type |
|------------------|------------------|---------------------|---------------------|----------------------|
| Amm ² | Bmm ² | | | |
| 10 | 10 | 45 | DSSB-CC13-C-1010 | DSSB-HCC00 |
| 16 | 16 | 45 | DSSB-CC13-C-1616 | DSSB-HCC00 |
| 25 | 25 | 45 | DSSB-CC13-C-2525 | DSSB-HCC00 |
| 35 | 35 | 65 | DSSB-CC13-C-3535 | DSSB-HCC00 |
| | 25 | 65 | DSSB-CC13-C-3525 | DSSB-HCC00 |
| 50 | 50 | 90 | DSSB-CC13-C-5050 | DSSB-HCC00 |
| | 35 | 65 | DSSB-CC13-C-5035 | DSSB-HCC00 |
| | 25 | 65 | DSSB-CC13-C-5025 | DSSB-HCC00 |
| 70 | 70 | 115 | DSSB-CC13-C-7070 | DSSB-HCC00 |
| | 50 | 115 | DSSB-CC13-C-7050 | DSSB-HCC00 |
| | 35 | 90 | DSSB-CC13-C-7035 | DSSB-HCC00 |
| 95 | 25 | 90 | DSSB-CC13-C-7025 | DSSB-HCC00 |
| | 95 | 150 | DSSB-CC13-C-9595 | DSSB-HCC00 |
| | 70 | 115 | DSSB-CC13-C-9570 | DSSB-HCC00 |
| 120 | 50 | 115 | DSSB-CC13-C-9550 | DSSB-HCC00 |
| | 35 | 115 | DSSB-CC13-C-9535 | DSSB-HCC00 |
| | 120 | 200 | DSSB-CC13-C-120120 | DSSB-HCC00 |
| | 95 | 200 | DSSB-CC13-C-12095 | DSSB-HCC00 |
| | 70 | 150 | DSSB-CC13-C-12070 | DSSB-HCC00 |
| | 50 | 115 | DSSB-CC13-C-12050 | DSSB-HCC00 |

EXOTHERMIC WELDING

CABLE TO CABLE CC14

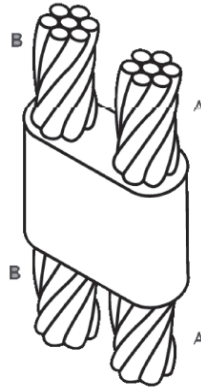


**Horizontal parallel
thru cable tap (side by side)**

| Conductor Size | | Metal Powder (g) | Graphite Mould Type | Handle Clamp Type |
|------------------|------------------|---------------------|---------------------|----------------------|
| Amm ² | Bmm ² | | | |
| 10 | 10 | 45 | DSSB-CC14-C-1010 | DSSB-HCC00 |
| 16 | 16 | 65 | DSSB-CC14-C-1616 | DSSB-HCC00 |
| 25 | 25 | 45 | DSSB-CC14-C-2525 | DSSB-HCC00 |
| 35 | 35 | 65 | DSSB-CC14-C-3535 | DSSB-HCC00 |
| | 25 | 65 | DSSB-CC14-C-3525 | DSSB-HCC00 |
| 50 | 50 | 90 | DSSB-CC14-C-5050 | DSSB-HCC00 |
| | 35 | 90 | DSSB-CC14-C-5035 | DSSB-HCC00 |
| | 25 | 90 | DSSB-CC14-C-5025 | DSSB-HCC00 |
| 70 | 70 | 115 | DSSB-CC14-C-7070 | DSSB-HCC00 |
| | 50 | 115 | DSSB-CC14-C-7050 | DSSB-HCC00 |
| | 35 | 90 | DSSB-CC14-C-7035 | DSSB-HCC00 |
| 95 | 25 | 90 | DSSB-CC14-C-7025 | DSSB-HCC00 |
| | 95 | 150 | DSSB-CC14-C-9595 | DSSB-HCC00 |
| | 70 | | DSSB-CC14-C-9570 | DSSB-HCC00 |
| | 50 | | DSSB-CC14-C-9550 | DSSB-HCC00 |
| 120 | 35 | 115 | DSSB-CC14-C-9535 | DSSB-HCC00 |
| | 120 | 200 | DSSB-CC14-C-120120 | DSSB-HCC00 |
| | 95 | 200 | DSSB-CC14-C-12095 | DSSB-HCC00 |
| | 70 | 200 | DSSB-CC14-C-12070 | DSSB-HCC00 |
| | 50 | 150 | DSSB-CC14-C-12050 | DSSB-HCC00 |

EXOTHERMIC WELDING

CABLE TO CABLE CC34

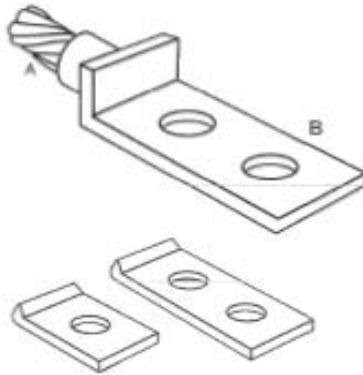


Vertical parallel thru cables
(side by side)

| Conductor Size | | Metal Powder (g) | Graphite Mould Type | Handle Clamp Type |
|------------------|------------------|---------------------|---------------------|----------------------|
| Amm ² | Bmm ² | | | |
| 25 | 25 | 65 | DSSB-CC34-R-2525 | DSSB-HCC00 |
| 35 | 35 | 115 | DSSB-CC34-R-3535 | DSSB-HCC00 |
| | 25 | 90 | DSSB-CC34-R-3525 | DSSB-HCC00 |
| 50 | 50 | 150 | DSSB-CC34-R-5050 | DSSB-HCC00 |
| | 35 | 115 | DSSB-CC34-R-5035 | DSSB-HCC00 |
| | 25 | 115 | DSSB-CC34-R-5025 | DSSB-HCC00 |
| 70 | 70 | 150 | DSSB-CC34-R-7070 | DSSB-HCC00 |
| | 50 | 150 | DSSB-CC34-R-7050 | DSSB-HCC00 |
| | 35 | 150 | DSSB-CC34-R-7035 | DSSB-HCC00 |
| | 25 | 115 | DSSB-CC34-R-7025 | DSSB-HCC00 |
| 95 | 95 | 250 | DSSB-CC34-R-9595 | DSSB-HCC00 |
| | 70 | 250 | DSSB-CC34-R-9570 | DSSB-HCC00 |
| | 50 | 200 | DSSB-CC34-R-9550 | DSSB-HCC00 |
| | 35 | 200 | DSSB-CC34-R-9535 | DSSB-HCC00 |
| | 25 | 150 | DSSB-CC34-R-9525 | DSSB-HCC00 |
| 120 | 120 | 2*200 | DSSB-CC34-J-120120 | DSSB-HCD00 |
| | 95 | 250 | DSSB-CC34-R-12095 | DSSB-HCC00 |
| | 70 | 250 | DSSB-CC34-R-12070 | DSSB-HCC00 |
| | 50 | 250 | DSSB-CC34-R-12050 | DSSB-HCC00 |
| | 35 | 200 | DSSB-CC34-R-12035 | DSSB-HCC00 |
| | 25 | 200 | DSSB-CC34-R-12025 | DSSB-HCC00 |
| 150 | 150 | 2*200 | DSSB-CC34-J-150150 | DSSB-HCD00 |
| | 120 | 2*200 | DSSB-CC34-J-150120 | DSSB-HCD00 |
| 185 | 185 | 2*250 | DSSB-CC34-J-185185 | DSSB-HCD00 |
| 240 | 240 | 3*250 | DSSB-CC34-J-240240 | DSSB-HCD00 |

EXOTHERMIC WELDING

CABLE TO BUS BAR CB1 (LUG)

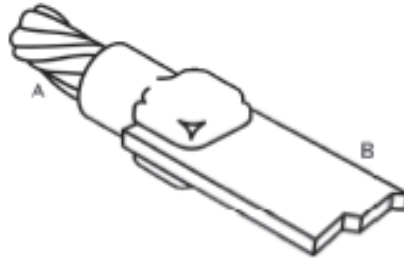


Horizontal cable tap
to copper lug

| Conductor Size | | Metal Powder (g) | Graphite Mould Type | Handle Clamp Type |
|------------------|------------------|---------------------|---------------------|----------------------|
| Amm ² | Bmm ² | | | |
| 25 | 25X3 | 32 | DSSB-CB1-C-25253L | DSSB-HCC00 |
| 35 | 25X3 | 32 | DSSB-CB1-C-35253L | DSSB-HCC00 |
| 50 | 25X3 | 45 | DSSB-CB1-C-50253L | DSSB-HCC00 |
| 70 | 25X3 | 45 | DSSB-CB1-C-70253L | DSSB-HCC00 |
| 95 | 25X3 | 65 | DSSB-CB1-C-95253L | DSSB-HCC00 |
| 70 | 25X5 | 65 | DSSB-CB1-C-70255L | DSSB-HCC00 |
| 95 | 25X5 | 65 | DSSB-CB1-C-95255L | DSSB-HCC00 |
| 120 | 25X5 | 65 | DSSB-CB1-C-120255L | DSSB-HCC00 |
| 150 | 25X6 | 90 | DSSB-CB1-C-150256L | DSSB-HCC00 |
| 185 | 25X6 | 90 | DSSB-CB1-C-185256L | DSSB-HCC00 |
| 240 | 25X6 | 150 | DSSB-CB1-C-240406L | DSSB-HCC00 |

EXOTHERMIC WELDING

CABLE TO BUS BAR CB1

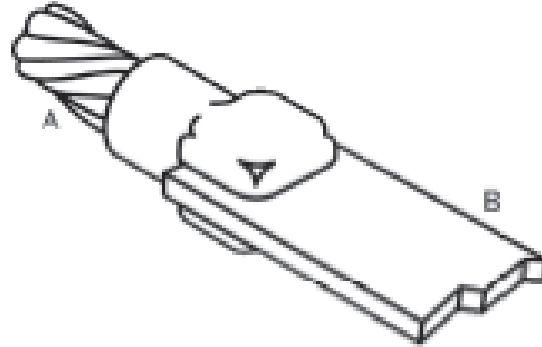


Horizontal cable tap to
horizontal lug or bus

| Conductor Size | | Metal Powder (g) | Graphite Mould Type | Handle Clamp Type |
|------------------|------------------|---------------------|---------------------|----------------------|
| Amm ² | Bmm ² | | | |
| 10 | 20x2 | 32 | DSSB-CB1-C-1010 | DSSB-HCC00 |
| 16 | 20x2 | 32 | DSSB-CB1-C-1616 | DSSB-HCC00 |
| 16 | 20x3 | 32 | DSSB-CB1-C-2525 | DSSB-HCC00 |
| 16 | 25x3 | 45 | DSSB-CB1-C-3535 | DSSB-HCC00 |
| 25 | 20x2 | 32 | DSSB-CB1-C-3525 | DSSB-HCC00 |
| 25 | 20x3 | 45 | DSSB-CB1-C-8SC8SC | DSSB-HCC00 |
| 25 | 25x3 | 45 | DSSB-CB1-C-5050 | DSSB-HCC00 |
| 35 | 20x2 | 32 | DSSB-CB1-C-5035 | DSSB-HCC00 |
| 35 | 20x3 | 45 | DSSB-CB1-C-5025 | DSSB-HCC00 |
| 35 | 25x3 | 45 | DSSB-CB1-C-10SC10SC | DSSB-HCC00 |
| Ø8mm | 20x3 | 45 | DSSB-CB1-C-7070 | DSSB-HCC00 |
| Ø8mm | 25x3 | 65 | DSSB-CB1-C-7050 | DSSB-HCC00 |
| 50 | 20x2 | 45 | DSSB-CB1-C-7035 | DSSB-HCC00 |
| 50 | 20x3 | 45 | DSSB-CB1-C-7025 | DSSB-HCC00 |
| 50 | 25x3 | 65 | DSSB-CB1-C-9595 | DSSB-HCC00 |
| Ø10mm | 25x3 | 65 | DSSB-CB1-C-9570 | DSSB-HCC00 |
| Ø10mm | 25x4 | 65 | DSSB-CB1-C-9550 | DSSB-HCC00 |
| Ø10mm | 25x6 | 65 | DSSB-CB1-C-9535 | DSSB-HCC00 |
| 70 | 25x3 | 65 | DSSB-CB1-C-120120 | DSSB-HCC00 |
| 70 | 25x4 | 90 | DSSB-CB1-C-12095 | DSSB-HCC00 |
| 70 | 25x6 | 90 | DSSB-CB1-C-12070 | DSSB-HCC00 |
| 95 | 25x3 | 90 | DSSB-CB1-C-12050 | DSSB-HCC00 |
| 95 | 25x4 | 90 | DSSB-CB1-C-150150 | DSSB-HCC00 |
| 95 | 25x5 | 90 | DSSB-CB1-C-150120 | DSSB-HCC00 |
| 95 | 25x6 | 90 | DSSB-CB1-C-15095 | DSSB-HCC00 |

EXOTHERMIC WELDING

CABLE TO BUS BAR CB1

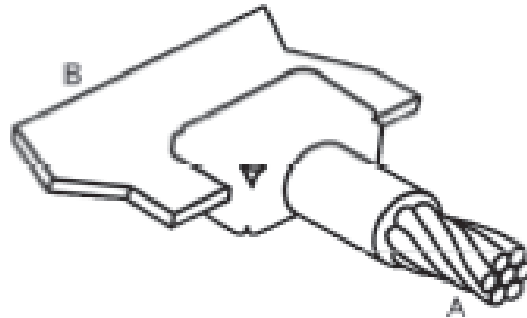


**Horizontal cable tap to
horizontal lug or bus**

| Conductor Size | | Metal Powder (g) | Graphite Mould Type | Handle Clamp Type |
|------------------|------------------|---------------------|---------------------|----------------------|
| Amm ² | Bmm ² | | | |
| 120 | 25x3 | 90 | DSSB-CB1-C-185185 | DSSB-HCC00 |
| 120 | 25x4 | 90 | DSSB-CB1-C-185150 | DSSB-HCC00 |
| 120 | 25x5 | 115 | DSSB-CB1-C-185120 | DSSB-HCC00 |
| 120 | 25x6 | 115 | DSSB-CB1-C-18595 | DSSB-HCC00 |
| 120 | 30x5 | 115 | DSSB-CB1-C-18570 | DSSB-HCC00 |
| 120 | 50x3 | 115 | DSSB-CB1-C-18550 | DSSB-HCC00 |
| 120 | 50x6 | 150 | DSSB-CB1-C-18535 | DSSB-HCC00 |
| 150 | 25x6 | 115 | DSSB-CB1-C-18525 | DSSB-HCC00 |
| 150 | 30x5 | 115 | DSSB-CB1-C-240240 | DSSB-HCC00 |
| 150 | 40x5 | 150 | DSSB-CB1-C-240185 | DSSB-HCC00 |
| 150 | 50x3 | 115 | DSSB-CB1-C-240150 | DSSB-HCC00 |
| 150 | 50x4 | 115 | DSSB-CB1-C-240120 | DSSB-HCC00 |
| 185 | 30x5 | 150 | DSSB-CB1-C-24095 | DSSB-HCC00 |
| 185 | 31x6 | 150 | DSSB-CB1-C-24070 | DSSB-HCC00 |
| 185 | 38x6 | 150 | DSSB-CB1-C-24050 | DSSB-HCC00 |
| 185 | 40x5 | 150 | DSSB-CB1-C-24035 | DSSB-HCC00 |
| 185 | 50x4 | 150 | DSSB-CB1-D-24025 | DSSB-HCD00 |
| 185 | 50x6 | 200 | DSSB-CB1-D-300300 | DSSB-HCD00 |
| 185 | 50x5 | 200 | DSSB-CB1-D-300240 | DSSB-HCD00 |
| 240 | 50x3 | 200 | DSSB-CB1-D-300185 | DSSB-HCD00 |
| 240 | 50x4 | 200 | DSSB-CB1-D-300150 | DSSB-HCD00 |
| 240 | 50x5 | 200 | DSSB-CB1-D-300120 | DSSB-HCD00 |
| 240 | 50x6 | 150*2 | DSSB-CB1-D-30095 | DSSB-HCD00 |
| 300 | 50x6 | 150*2 | DSSB-CB1-D-30070 | DSSB-HCD00 |
| 300 | 50x8 | 200*2 | DSSB-CB1-D-30050 | DSSB-HCD00 |

EXOTHERMIC WELDING

CABLE TO BUS BAR CB4

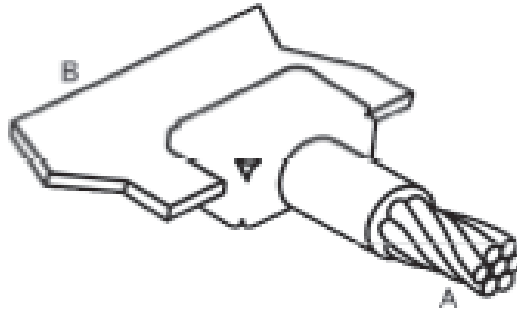


Horizontal cable tap to horizontal bus

| Conductor Size | | Metal Powder (g) | Graphite Mould Type | Handle Clamp Type |
|------------------|------------------|------------------|---------------------|-------------------|
| Amm ² | Bmm ² | | | |
| 10 | 20x2 | 25 | DSSB-CB4-C-10202 | DSSB-HCC00 |
| 16 | 20x2 | 32 | DSSB-CB4-C-16202 | DSSB-HCC00 |
| 16 | 20x3 | 32 | DSSB-CB4-C-16203 | DSSB-HCC00 |
| 16 | 25x3 | 32 | DSSB-CB4-C-16253 | DSSB-HCC00 |
| 25 | 20x2 | 25 | DSSB-CB4-C-25202 | DSSB-HCC00 |
| 25 | 20x3 | 32 | DSSB-CB4-C-25203 | DSSB-HCC00 |
| 25 | 25x3 | 32 | DSSB-CB4-C-25253 | DSSB-HCC00 |
| 35 | 20x2 | 32 | DSSB-CB4-C-35202 | DSSB-HCC00 |
| 35 | 20x3 | 45 | DSSB-CB4-C-35203 | DSSB-HCC00 |
| 35 | 25x3 | 45 | DSSB-CB4-C-35253 | DSSB-HCC00 |
| Ø8mm | 25x2 | 45 | DSSB-CB4-C-8SC252 | DSSB-HCC00 |
| Ø8mm | 25x3 | 45 | DSSB-CB4-C-8SC253 | DSSB-HCC00 |
| 50 | 20x3 | 45 | DSSB-CB4-C-50203 | DSSB-HCC00 |
| 50 | 25x2 | 45 | DSSB-CB4-C-50252 | DSSB-HCC00 |
| 50 | 25x3 | 45 | DSSB-CB4-C-50253 | DSSB-HCC00 |
| 50 | 25x4 | 65 | DSSB-CB4-C-50254 | DSSB-HCC00 |
| 50 | 25x6 | 65 | DSSB-CB4-C-50256 | DSSB-HCC00 |
| Ø10mm | 25x3 | 65 | DSSB-CB4-C-10SC253 | DSSB-HCC00 |
| Ø10mm | 25x4 | 65 | DSSB-CB4-C-10SC254 | DSSB-HCC00 |

EXOTHERMIC WELDING

CABLE TO BUS BAR CB4

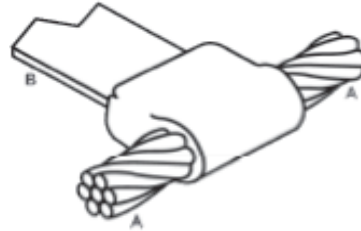


Horizontal cable tap to
horizontal bus

| Conductor Size | | Metal Powder (g) | Graphite Mould Type | Handle Clamp Type |
|------------------|------------------|---------------------|---------------------|----------------------|
| Amm ² | Bmm ² | | | |
| 70 | 25x3 | 65 | DSSB-CB4-C-70253 | DSSB-HCC00 |
| 70 | 25x4 | 65 | DSSB-CB4-C-70254 | DSSB-HCC00 |
| 70 | 25x6 | 90 | DSSB-CB4-C-70256 | DSSB-HCC00 |
| 95 | 25x3 | 90 | DSSB-CB4-C-95253 | DSSB-HCC00 |
| 95 | 25x4 | 90 | DSSB-CB4-C-95254 | DSSB-HCC00 |
| 95 | 25x5 | 90 | DSSB-CB4-C-95255 | DSSB-HCC00 |
| 95 | 25x6 | 115 | DSSB-CB4-C-95256 | DSSB-HCC00 |
| 120 | 25x3 | 90 | DSSB-CB4-C-120253 | DSSB-HCC00 |
| 120 | 25x5 | 90 | DSSB-CB4-C-120255 | DSSB-HCC00 |
| 120 | 25x6 | 115 | DSSB-CB4-C-120256 | DSSB-HCC00 |
| 120 | 30x5 | 115 | DSSB-CB4-C-120305 | DSSB-HCC00 |
| 150 | 25x6 | 115 | DSSB-CB4-C-150256 | DSSB-HCC00 |
| 150 | 30x5 | 115 | DSSB-CB4-C-150305 | DSSB-HCC00 |
| 150 | 40x5 | 150 | DSSB-CB4-C-150405 | DSSB-HCC00 |
| 185 | 25x3 | 150 | DSSB-CB4-C-185253 | DSSB-HCC00 |
| 185 | 30x5 | 150 | DSSB-CB4-C-185305 | DSSB-HCC00 |
| 185 | 40x5 | 150 | DSSB-CB4-C-185405 | DSSB-HCC00 |
| 185 | 50x5 | 150 | DSSB-CB4-C-185505 | DSSB-HCC00 |
| 185 | 50x6 | 150 | DSSB-CB4-C-185506 | DSSB-HCC00 |
| 240 | 50x5 | 200 | DSSB-CB4-C-240505 | DSSB-HCC00 |
| 240 | 50x6 | 250 | DSSB-CB4-C-240506 | DSSB-HCC00 |
| 300 | 50x6 | 150*2 | DSSB-CB4-D-300506 | DSSB-HCD00 |
| 300 | 50x8 | 200*2 | DSSB-CB4-D-300508 | DSSB-HCD00 |

EXOTHERMIC WELDING

CABLE TO BUS BAR CB5

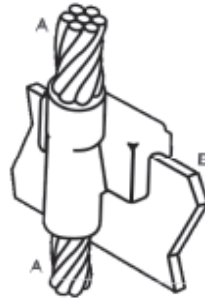


Horizontal bus tap to
horizontal cable run

| Conductor Size | | Metal Powder (g) | Graphite Mould Type | Handle Clamp Type |
|------------------|------------------|------------------|---------------------|-------------------|
| Amm ² | Bmm ² | | | |
| 10 | 20x2 | 45 | DSSB-CB5-C-10202 | DSSB-HCC00 |
| 16 | 20x2 | 45 | DSSB-CB5-C-16202 | DSSB-HCC00 |
| 16 | 20x3 | 45 | DSSB-CB5-C-16203 | DSSB-HCC00 |
| 16 | 25x3 | 65 | DSSB-CB5-C-16253 | DSSB-HCC00 |
| 25 | 20x2 | 45 | DSSB-CB5-C-25202 | DSSB-HCC00 |
| 25 | 20x3 | 45 | DSSB-CB5-C-25203 | DSSB-HCC00 |
| 25 | 25x3 | 65 | DSSB-CB5-C-25253 | DSSB-HCC00 |
| 35 | 20x2 | 45 | DSSB-CB5-C-35202 | DSSB-HCC00 |
| 35 | 20x3 | 45 | DSSB-CB5-C-35203 | DSSB-HCC00 |
| 35 | 25x3 | 65 | DSSB-CB5-C-35253 | DSSB-HCC00 |
| Ø8mm | 25x2 | 65 | DSSB-CB5-C-8SC252 | DSSB-HCC00 |
| Ø8mm | 25x3 | 65 | DSSB-CB5-C-8SC253 | DSSB-HCC00 |
| 50 | 20x3 | 65 | DSSB-CB5-C-50203 | DSSB-HCC00 |
| 50 | 25x2 | 65 | DSSB-CB5-C-50252 | DSSB-HCC00 |
| 50 | 25x3 | 65 | DSSB-CB5-C-50253 | DSSB-HCC00 |
| Ø10mm | 25x3 | 115 | DSSB-CB5-C-10SC253 | DSSB-HCC00 |
| Ø10mm | 25x4 | 150 | DSSB-CB5-C-10SC254 | DSSB-HCC00 |
| 70 | 25x3 | 90 | DSSB-CB5-C-70253 | DSSB-HCC00 |
| 70 | 25x4 | 115 | DSSB-CB5-C-70254 | DSSB-HCC00 |
| 70 | 25x6 | 115 | DSSB-CB5-C-70256 | DSSB-HCC00 |
| 95 | 25x4 | 150 | DSSB-CB5-C-95254 | DSSB-HCC00 |
| 95 | 25x5 | 150 | DSSB-CB5-C-95255 | DSSB-HCC00 |
| 95 | 25x6 | 150 | DSSB-CB5-C-95256 | DSSB-HCC00 |
| 120 | 25x5 | 150 | DSSB-CB5-C-120255 | DSSB-HCC00 |
| 120 | 25x6 | 150 | DSSB-CB5-C-120256 | DSSB-HCC00 |
| 120 | 30x5 | 200 | DSSB-CB5-C-120305 | DSSB-HCC00 |
| 150 | 25x6 | 200 | DSSB-CB5-C-150253 | DSSB-HCC00 |
| 150 | 30x5 | 200 | DSSB-CB5-C-150305 | DSSB-HCC00 |
| 150 | 40x5 | 250 | DSSB-CB5-C-150405 | DSSB-HCC00 |
| 185 | 30x5 | 250 | DSSB-CB5-C-185305 | DSSB-HCC00 |
| 185 | 40x5 | 250 | DSSB-CB5-C-185405 | DSSB-HCC00 |
| 185 | 50x5 | 150*2 | DSSB-CB5-C-185505 | DSSB-HCD00 |
| 240 | 30x5 | 250 | DSSB-CB5-C-240305 | DSSB-HCC00 |
| 240 | 40x5 | 250 | DSSB-CB5-C-240405 | DSSB-HCC00 |
| 240 | 50x5 | 150*2 | DSSB-CB5-C-240505 | DSSB-HCD00 |
| 240 | 50x6 | 200*2 | DSSB-CB5-C-240506 | DSSB-HCD00 |
| 300 | 50x6 | 250*2 | DSSB-CB5-D-300506 | DSSB-HCD00 |
| 300 | 50x8 | 250*2 | DSSB-CB5-D-300508 | DSSB-HCD00 |

EXOTHERMIC WELDING

CABLE TO BUS BAR CB29

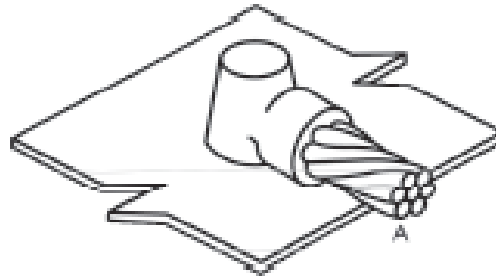


Vertical cable thru horizontal
bus bar on edge

| Conductor Size | | Metal Powder (g) | Graphite Mould Type | Handle Clamp Type |
|------------------|------------------|---------------------|---------------------|----------------------|
| Amm ² | Bmm ² | | | |
| 35 | 50x6 | 250 | DSSB-CB29-E-35202 | DSSB-HCC00 |
| 35 | 50x8 | 250 | DSSB-CB29-E-35203 | DSSB-HCC00 |
| 35 | 50x12 | 2x150 | DSSB-CB29-J-35253 | DSSB-HCD00 |
| 50 | 50x6 | 2x200 | DSSB-CB29-J-50203 | DSSB-HCD00 |
| 50 | 50x8 | 2x200 | DSSB-CB29-J-50252 | DSSB-HCD00 |
| 50 | 50x12 | 2x250 | DSSB-CB29-J-50253 | DSSB-HCD00 |
| 70 | 50x6 | 2x200 | DSSB-CB29-J-70253 | DSSB-HCD00 |
| 70 | 50x8 | 2x200 | DSSB-CB29-J-70254 | DSSB-HCD00 |
| 70 | 50x12 | 2x250 | DSSB-CB29-J-70256 | DSSB-HCD00 |
| 95 | 50x6 | 2x250 | DSSB-CB29-J-95254 | DSSB-HCD00 |
| 95 | 50x8 | 2x250 | DSSB-CB29-J-95255 | DSSB-HCD00 |
| 95 | 50x12 | 3x200 | DSSB-CB29-J-95256 | DSSB-HCD00 |
| 120 | 50x6 | 2x250 | DSSB-CB29-J-120255 | DSSB-HCD00 |
| 120 | 50x8 | 2x250 | DSSB-CB29-J-120256 | DSSB-HCD00 |
| 120 | 50x12 | 3x200 | DSSB-CB29-J-120305 | DSSB-HCD00 |
| 150 | 50x6 | 2x250 | DSSB-CB29-J-150253 | DSSB-HCD00 |
| 150 | 50x8 | 2x250 | DSSB-CB29-J-150305 | DSSB-HCD00 |
| 150 | 50x12 | 3x200 | DSSB-CB29-J-150405 | DSSB-HCD00 |
| 185 | 50x6 | 2x250 | DSSB-CB29-J-185305 | DSSB-HCD00 |
| 185 | 50x8 | 2x250 | DSSB-CB29-J-185405 | DSSB-HCD00 |
| 185 | 50x12 | 3x200 | DSSB-CB29-J-185505 | DSSB-HCD00 |
| 240 | 50x6 | 2x250 | DSSB-CB29-J-240506 | DSSB-HCD00 |
| 240 | 50x8 | 2x250 | DSSB-CB29-J-240305 | DSSB-HCD00 |
| 240 | 50x12 | 3x200 | DSSB-CB29-J-240405 | DSSB-HCD00 |
| 300 | 50x6 | 3x201 | DSSB-CB29-D-300506 | DSSB-HCD00 |
| 300 | 50x8 | 3x202 | DSSB-CB29-D-300508 | DSSB-HCD00 |
| 300 | 50x12 | 3x250 | DSSB-CB29-D-300508 | DSSB-HCD00 |

EXOTHERMIC WELDING

CABLE TO BUS BAR CB34

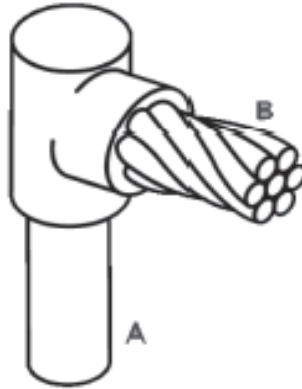


Horizontal cable to signal
reference ground grid

| Conductor Size | Metal Powder (g) | Graphite Mould Type | Handle Clamp Type |
|------------------|---------------------|---------------------|----------------------|
| Amm ² | | | |
| 16 | 25 | DSSB-CB34-C-16 | DSSB-HCC00 |
| 25 | 32 | DSSB-CB34-C-25 | DSSB-HCC00 |
| 35 | 32 | DSSB-CB34-C-35 | DSSB-HCD00 |

EXOTHERMIC WELDING

CABLE TO GROUND ROD CR1

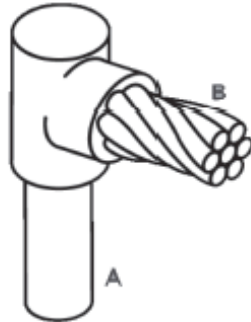


Horizontal cable terminal
to ground rod

| A mean (mm) | A inch | B mm ² | Metal Powder (g) | Graphite Mould Type |
|-------------------|-----------|----------------------|------------------|------------------------|
| 12.7 | 1/2 | 10 | 65 | DSSB-CR1-C-12710 |
| 12.7 | 1/2 | 16 | 65 | DSSB-CR1-C-12716 |
| 12.7 | 1/2 | Ø5.6mm | 65 | DSSB-CR1-C-125.6SC |
| 12.7 | 1/2 | 25 | 65 | DSSB-CR1-C-12725 |
| 12.7 | 1/2 | 35 | 65 | DSSB-CR1-C-12735 |
| 12.7 | 1/2 | Ø8mm | 65 | DSSB-CR1-C-1278SC |
| 12.7 | 1/2 | 50 | 65 | DSSB-CR1-C-12750 |
| 12.7 | 1/2 | Ø10mm | 65 | DSSB-CR1-C-12710SC |
| 12.7 | 1/2 | 70 | 90 | DSSB-CR1-C-12770 |
| 12.7 | 1/2 | 95 | 90 | DSSB-CR1-C-12795 |
| 12.7 | 1/2 | 120 | 90 | DSSB-CR1-C-127120 |

EXOTHERMIC WELDING

CABLE TO GROUND ROD CR1

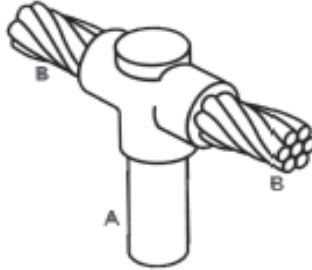


Horizontal cable terminal to ground rod

| A mean (mm) | A inch | B mm ² | Metal Powder (g) | Graphite Mould Type |
|-------------|--------|-------------------|------------------|---------------------|
| 16 | 5/8 | 10 | 65 | DSSB-CR1-C-1610 |
| 16 | 5/8 | 16 | 65 | DSSB-CR1-C-1616 |
| 16 | 5/8 | Ø5.6mm | 65 | DSSB-CR1-C-165.6SC |
| 16 | 5/8 | 25 | 65 | DSSB-CR1-C-1625 |
| 16 | 5/8 | 35 | 90 | DSSB-CR1-C-1635 |
| 16 | 5/8 | Ø8mm | 90 | DSSB-CR1-C-168SC |
| 16 | 5/8 | 50 | 90 | DSSB-CR1-C-1650 |
| 16 | 5/8 | 70 | 90 | DSSB-CR1-C-1670 |
| 16 | 5/8 | 95 | 90 | DSSB-CR1-C-1695 |
| 16 | 5/8 | 120 | 90 | DSSB-CR1-C-16120 |
| 16 | 5/8 | 150 | 115 | DSSB-CR1-C-16150 |
| 16 | 5/8 | 185 | 150 | DSSB-CR1-C-16185 |
| 16 | 5/8 | 240 | 150 | DSSB-CR1-C-16240 |
| 19 | 3/4 | 10 | 65 | DSSB-CR1-C-1910 |
| 19 | 3/4 | 16 | 65 | DSSB-CR1-C-1916 |
| 19 | 3/4 | 25 | 65 | DSSB-CR1-C-1925 |
| 19 | 3/4 | 35 | 65 | DSSB-CR1-C-1935 |
| 19 | 3/4 | Ø8mm | 90 | DSSB-CR1-C-198SC |
| 19 | 3/4 | 50 | 90 | DSSB-CR1-C-1950 |
| 19 | 3/4 | 70 | 90 | DSSB-CR1-C-1970 |
| 19 | 3/4 | 95 | 90 | DSSB-CR1-C-1995 |
| 19 | 3/4 | 120 | 90 | DSSB-CR1-C-19120 |
| 19 | 3/4 | 150 | 115 | DSSB-CR1-C-19150 |
| 19 | 3/4 | 185 | 150 | DSSB-CR1-C-19185 |
| 19 | 3/4 | 240 | 150 | DSSB-CR1-C-19240 |
| 19 | 3/4 | 300 | 200 | DSSB-CR1-C-19300 |

EXOTHERMIC WELDING

CABLE TO GROUND ROD CR2

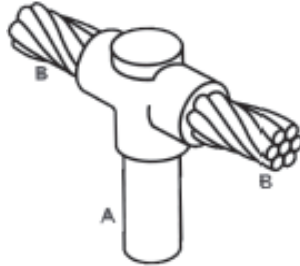


Horizontal thru cable
to ground rod

| A mean (mm) | A inch | B mm ² | Metal Powder (g) | Graphite Mould Type |
|----------------|-----------|----------------------|------------------|---------------------|
| 12.7 | 1/2 | 10 | 90 | DSSB-CR2-C-12710 |
| 12.7 | 1/2 | 16 | 90 | DSSB-CR2-C-12716 |
| 12.7 | 1/2 | Ø5.6mm | 90 | DSSB-CR2-C-125.6SC |
| 12.7 | 1/2 | 25 | 90 | DSSB-CR2-C-12725 |
| 12.7 | 1/2 | 35 | 90 | DSSB-CR2-C-12735 |
| 12.7 | 1/2 | Ø8mm | 90 | DSSB-CR2-C-1278SC |
| 12.7 | 1/2 | 50 | 90 | DSSB-CR2-C-12750 |
| 12.7 | 1/2 | Ø10mm | 90 | DSSB-CR2-C-12710SC |
| 12.7 | 1/2 | 70 | 90 | DSSB-CR2-C-12770 |
| 12.7 | 1/2 | 95 | 115 | DSSB-CR2-C-12795 |
| 12.7 | 1/2 | 120 | 150 | DSSB-CR2-C-127120 |
| 16 | 5/8 | 10 | 65 | DSSB-CR2-C-1610 |
| 16 | 5/8 | 16 | 65 | DSSB-CR2-C-1616 |
| 16 | 5/8 | Ø5.6mm | 90 | DSSB-CR2-C-165.6SC |
| 16 | 5/8 | 25 | 90 | DSSB-CR2-C-1625 |
| 16 | 5/8 | 35 | 90 | DSSB-CR2-C-1635 |
| 16 | 5/8 | Ø8mm | 90 | DSSB-CR2-C-168SC |
| 16 | 5/8 | 50 | 90 | DSSB-CR2-C-1650 |
| 16 | 5/8 | 70 | 115 | DSSB-CR2-C-1670 |
| 16 | 5/8 | 95 | 115 | DSSB-CR2-C-1695 |
| 16 | 5/8 | 120 | 150 | DSSB-CR2-C-16120 |
| 16 | 5/8 | 150 | 200 | DSSB-CR2-C-16150 |
| 16 | 5/8 | 185 | 200 | DSSB-CR2-C-16185 |
| 16 | 5/8 | 240 | 250 | DSSB-CR2-C-16240 |

EXOTHERMIC WELDING

CABLE TO GROUND ROD CR2

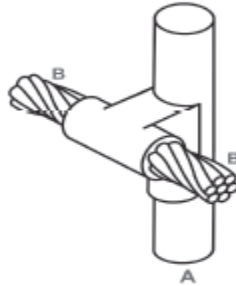


Horizontal thru cable
to ground rod

| A mean (mm) | A inch | B mm ² | Metal Powder (g) | Graphite Mould Type |
|-------------------|-----------|----------------------|------------------|------------------------|
| 19 | 3/4 | 10 | 65 | DSSB-CR2-C-1910 |
| 19 | 3/4 | 16 | 65 | DSSB-CR2-C-1916 |
| 19 | 3/4 | 25 | 90 | DSSB-CR2-C-1925 |
| 19 | 3/4 | 35 | 90 | DSSB-CR2-C-1935 |
| 19 | 3/4 | Ø8mm | 115 | DSSB-CR2-C-198SC |
| 19 | 3/4 | 50 | 115 | DSSB-CR2-C-1950 |
| 19 | 3/4 | 70 | 115 | DSSB-CR2-C-1970 |
| 19 | 3/4 | 95 | 115 | DSSB-CR2-C-1995 |
| 19 | 3/4 | 120 | 150 | DSSB-CR2-C-19120 |
| 19 | 3/4 | 150 | 200 | DSSB-CR2-C-19150 |
| 19 | 3/4 | 185 | 200 | DSSB-CR2-C-19185 |
| 19 | 3/4 | 240 | 250 | DSSB-CR2-C-19240 |
| 19 | 3/4 | 300 | 2x150 | DSSB-CR2-D-19300 |

EXOTHERMIC WELDING

CABLE TO GROUND ROD CR3

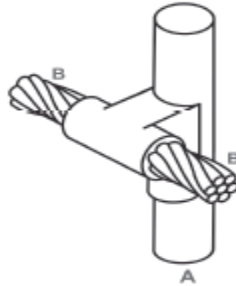


Horizontal thru cable to side of ground rod

| A mean (mm) | A inch | B mm ² | Metal Powder (g) | Graphite Mould Type |
|-------------|--------|-------------------|------------------|---------------------|
| 12.7 | 1/2 | 10 | 90 | DSSB-CR3-E-12710 |
| 12.7 | 1/2 | 16 | 90 | DSSB-CR3-E-12716 |
| 12.7 | 1/2 | 25 | 90 | DSSB-CR3-E-12725 |
| 12.7 | 1/2 | 35 | 90 | DSSB-CR3-E-12735 |
| 12.7 | 1/2 | Ø8mm | 115 | DSSB-CR3-E-1278SC |
| 12.7 | 1/2 | 50 | 115 | DSSB-CR3-E-12750 |
| 12.7 | 1/2 | Ø10mm | 115 | DSSB-CR3-E-12710SC |
| 12.7 | 1/2 | 70 | 115 | DSSB-CR3-E-12770 |
| 12.7 | 1/2 | 95 | 115 | DSSB-CR3-E-12795 |
| 12.7 | 1/2 | 120 | 150 | DSSB-CR3-E-127120 |
| 16 | 5/8 | 10 | 90 | DSSB-CR3-E-1610 |
| 16 | 5/8 | 16 | 90 | DSSB-CR3-E-1616 |
| 16 | 5/8 | 25 | 90 | DSSB-CR3-E-1625 |
| 16 | 5/8 | 35 | 90 | DSSB-CR3-E-1635 |
| 16 | 5/8 | Ø8mm | 115 | DSSB-CR3-E-168SC |
| 16 | 5/8 | 50 | 115 | DSSB-CR3-E-1650 |
| 16 | 5/8 | 70 | 115 | DSSB-CR3-E-1670 |
| 16 | 5/8 | 95 | 115 | DSSB-CR3-E-1695 |

EXOTHERMIC WELDING

CABLE TO GROUND ROD CR3

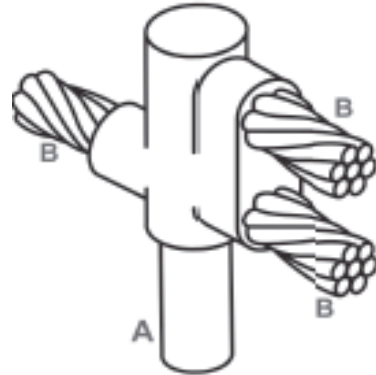


Horizontal thru cable to side of ground rod

| A mean (mm) | A inch | B mm ² | Metal Powder (g) | Graphite Mould Type |
|-------------|--------|-------------------|------------------|---------------------|
| 16 | 5/8 | 120 | 150 | DSSB-CR3-E-16120 |
| 16 | 5/8 | 150 | 200 | DSSB-CR3-E-16150 |
| 16 | 5/8 | 185 | 250 | DSSB-CR3-E-16185 |
| 16 | 5/8 | 240 | 200x2 | DSSB-CR3-J-16240 |
| 19 | 3/4 | 10 | 90 | DSSB-CR3-E-1910 |
| 19 | 3/4 | 16 | 90 | DSSB-CR3-E-1916 |
| 19 | 3/4 | 25 | 90 | DSSB-CR3-E-1925 |
| 19 | 3/4 | 35 | 90 | DSSB-CR3-E-1935 |
| 19 | 3/4 | Ø8mm | 115 | DSSB-CR3-E-198SC |
| 19 | 3/4 | 50 | 115 | DSSB-CR3-E-1950 |
| 19 | 3/4 | 70 | 150 | DSSB-CR3-E-1970 |
| 19 | 3/4 | 95 | 150 | DSSB-CR3-E-1995 |
| 19 | 3/4 | 120 | 200 | DSSB-CR3-E-19120 |
| 19 | 3/4 | 150 | 250 | DSSB-CR3-E-19150 |
| 19 | 3/4 | 185 | 200x2 | DSSB-CR3-J-19185 |
| 19 | 3/4 | 240 | 200x2 | DSSB-CR3-J-19240 |
| 19 | 3/4 | 300 | 200x3 | DSSB-CR3-J-19300 |

EXOTHERMIC WELDING

CABLE TO GROUND ROD CR17

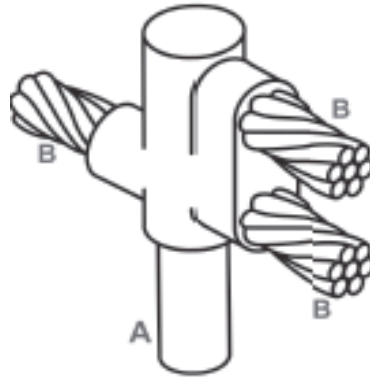


Horizontal run & tap
cable to ground rod

| A mean (mm) | A inch | B mm ² | Metal Powder (g) | Graphite Mould Type |
|----------------|-----------|----------------------|------------------|---------------------|
| 12.7 | 1/2 | 25 | 90 | DSSB-CR17-C-12725 |
| 12.7 | 1/2 | 35 | 90 | DSSB-CR17-C-12735 |
| 12.7 | 1/2 | 50 | 115 | DSSB-CR17-C-12750 |
| 12.7 | 1/2 | 70 | 150 | DSSB-CR17-C-12770 |
| 16 | 5/8 | 95 | 200 | DSSB-CR17-C-1610 |
| 16 | 5/8 | 120 | 200 | DSSB-CR17-C-1616 |
| 16 | 5/8 | 25 | 90 | DSSB-CR17-C-1625 |
| 16 | 5/8 | 35 | 115 | DSSB-CR17-C-1635 |
| 16 | 5/8 | 50 | 150 | DSSB-CR17-C-1650 |
| 16 | 5/8 | 70 | 200 | DSSB-CR17-C-1670 |
| 16 | 5/8 | 95 | 250 | DSSB-CR17-C-1695 |
| 16 | 5/8 | 120 | 2-150 | DSSB-CR17-D-16120 |
| 16 | 5/8 | 150 | 2-200 | DSSB-CR17-D-16150 |

EXOTHERMIC WELDING

CABLE TO GROUND ROD CR17

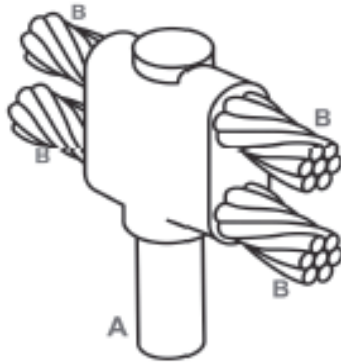


Horizontal run & tap
cable to ground rod

| A mean (mm) | A inch | B mm ² | Metal Powder (g) | Graphite Mould Type |
|----------------|-----------|----------------------|------------------|---------------------|
| 19 | 3/4 | 25 | 90 | DSSB-CR17-C-1925 |
| 19 | 3/4 | 35 | 115 | DSSB-CR17-C-1935 |
| 19 | 3/4 | 50 | 150 | DSSB-CR17-C-1950 |
| 19 | 3/4 | 70 | 200 | DSSB-CR17-C-1970 |
| 19 | 3/4 | 95 | 250 | DSSB-CR17-C-1995 |
| 19 | 3/4 | 120 | 2-150 | DSSB-CR17-D-19120 |
| 19 | 3/4 | 150 | 2-200 | DSSB-CR17-D-19150 |
| 19 | 3/4 | 185 | 2-200 | DSSB-CR17-D-19185 |
| 19 | 3/4 | 240 | 3-200 | DSSB-CR17-D-19240 |
| 23.1 | 1 | 25 | 115 | DSSB-CR17-C-23125 |
| 23.1 | 1 | 35 | 150 | DSSB-CR17-C-23135 |
| 23.1 | 1 | 50 | 200 | DSSB-CR17-C-23150 |
| 23.1 | 1 | 70 | 250 | DSSB-CR17-C-23170 |
| 23.1 | 1 | 95 | 2-150 | DSSB-CR17-D-23195 |
| 23.1 | 1 | 120 | 2-200 | DSSB-CR17-D-231120 |
| 23.1 | 1 | 150 | 2-200 | DSSB-CR17-D-231150 |
| 23.1 | 1 | 185 | 2-250 | DSSB-CR17-D-231185 |
| 23.1 | 1 | 240 | 3-250 | DSSB-CR17-D-231240 |

EXOTHERMIC WELDING

CABLE TO GROUND ROD CR24

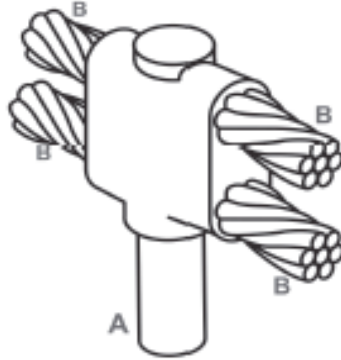


Horizontal parallel run
cable to ground rod

| A mean (mm) | A inch | B mm ² | Metal Powder (g) | Graphite Mould Type |
|----------------|-----------|----------------------|------------------|---------------------|
| 12.7 | 1/2 | 25 | 115 | DSSB-CR24-C-12725 |
| 12.7 | 1/2 | 35 | 115 | DSSB-CR24-C-12735 |
| 12.7 | 1/2 | 50 | 150 | DSSB-CR24-C-12750 |
| 12.7 | 1/2 | 70 | 200 | DSSB-CR24-C-12770 |
| 12.7 | 1/2 | 95 | 250 | DSSB-CR24-C-12795 |
| 12.7 | 1/2 | 120 | 2-150 | DSSB-CR24-C-127120 |
| 16 | 5/8 | 25 | 115 | DSSB-CR24-D-1625 |
| 16 | 5/8 | 35 | 150 | DSSB-CR24-C-1635 |
| 16 | 5/8 | 50 | 200 | DSSB-CR24-C-1650 |
| 16 | 5/8 | 70 | 250 | DSSB-CR24-C-1670 |
| 16 | 5/8 | 95 | 2-150 | DSSB-CR24-D-1695 |
| 16 | 5/8 | 120 | 2-200 | DSSB-CR24-D-16120 |
| 16 | 5/8 | 150 | 2-250 | DSSB-CR24-D-16150 |
| 16 | 5/8 | 185 | 2-250 | DSSB-CR24-D-16185 |
| 16 | 5/8 | 240 | 3-250 | DSSB-CR24-D-16240 |

EXOTHERMIC WELDING

CABLE TO GROUND ROD CR24

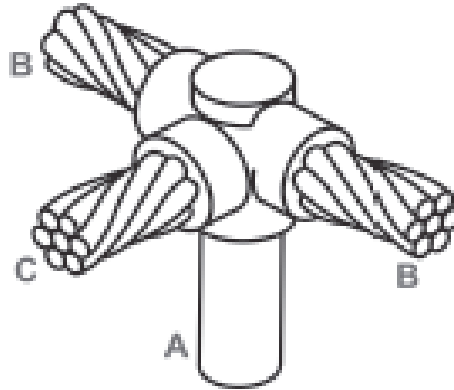


Horizontal parallel run
cable to ground rod

| A mean (mm) | A inch | B mm ² | Metal Powder (g) | Graphite Mould Type |
|-------------------|-----------|----------------------|------------------|------------------------|
| 19 | 3/4 | 25 | 115 | DSSB-CR24-C-1925 |
| 19 | 3/4 | 35 | 150 | DSSB-CR24-C-1935 |
| 19 | 3/4 | 50 | 200 | DSSB-CR24-C-1950 |
| 19 | 3/4 | 70 | 250 | DSSB-CR24-C-1970 |
| 19 | 3/4 | 95 | 2-150 | DSSB-CR24-D-1995 |
| 19 | 3/4 | 120 | 2-200 | DSSB-CR24-D-19120 |
| 19 | 3/4 | 150 | 2-250 | DSSB-CR24-D-19150 |
| 19 | 3/4 | 185 | 2-250 | DSSB-CR24-D-19185 |
| 19 | 3/4 | 240 | 3-250 | DSSB-CR24-D-19240 |
| 23.1 | 1 | 25 | 150 | DSSB-CR24-C-23125 |
| 23.1 | 1 | 35 | 200 | DSSB-CR24-C-23135 |
| 23.1 | 1 | 50 | 250 | DSSB-CR24-C-23150 |
| 23.1 | 1 | 70 | 2-150 | DSSB-CR24-C-23170 |
| 23.1 | 1 | 95 | 2-200 | DSSB-CR24-D-23195 |
| 23.1 | 1 | 120 | 2-250 | DSSB-CR24-D-231120 |
| 23.1 | 1 | 150 | 3-200 | DSSB-CR24-D-231150 |
| 23.1 | 1 | 185 | 3-200 | DSSB-CR24-D-231185 |

EXOTHERMIC WELDING

CABLE TO GROUND ROD CR25

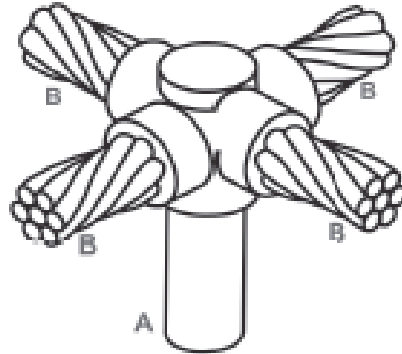


Horizontal tap and run
to ground rod

| A mean (mm) | A inch | B mm ² | Metal Powder (g) | Graphite Mould Type |
|-------------------|-----------|----------------------|------------------|------------------------|
| 16 | 5/8 | 10 | 65 | DSSB-CR25-C-1610 |
| 16 | 5/8 | 16 | 65 | DSSB-CR25-C-1616 |
| 16 | 5/8 | 25 | 90 | DSSB-CR25-C-1625 |
| 16 | 5/8 | 35 | 90 | DSSB-CR25-C-1635 |
| 16 | 5/8 | 50 | 115 | DSSB-CR25-C-1650 |
| 16 | 5/8 | 70 | 115 | DSSB-CR25-C-1670 |
| 16 | 5/8 | 95 | 150 | DSSB-CR25-C-1695 |
| 16 | 5/8 | 120 | 200 | DSSB-CR25-C-16120 |
| 16 | 5/8 | 150 | 250 | DSSB-CR25-D-16150 |
| 16 | 5/8 | 185 | 250 | DSSB-CR25-D-16185 |
| 16 | 5/8 | 240 | 2-200 | DSSB-CR25-D-16240 |
| 19 | 3/4 | 10 | 65 | DSSB-CR25-C-1910 |
| 19 | 3/4 | 16 | 65 | DSSB-CR25-C-1916 |
| 19 | 3/4 | 25 | 90 | DSSB-CR25-C-1925 |
| 19 | 3/4 | 35 | 90 | DSSB-CR25-C-1935 |
| 19 | 3/4 | 50 | 115 | DSSB-CR25-C-1950 |
| 19 | 3/4 | 70 | 150 | DSSB-CR25-C-1970 |
| 19 | 3/4 | 95 | 200 | DSSB-CR25-C-1995 |
| 19 | 3/4 | 120 | 250 | DSSB-CR25-C-19120 |
| 19 | 3/4 | 150 | 250 | DSSB-CR25-D-19150 |
| 19 | 3/4 | 185 | 2-200 | DSSB-CR25-D-19185 |
| 19 | 3/4 | 240 | 2-200 | DSSB-CR25-D-19240 |

EXOTHERMIC WELDING

CABLE TO GROUND ROD CR33

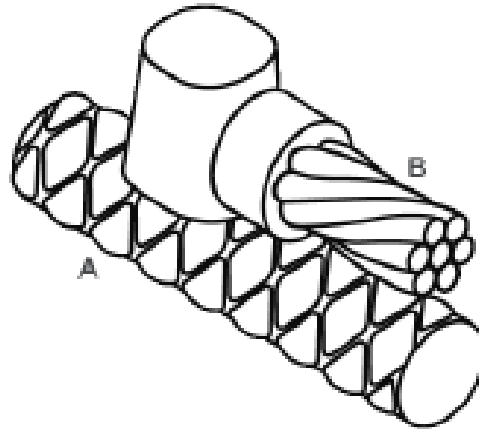


Horizontal cable cross to ground rod

| A mean (mm) | A inch | B mm ² | Metal Powder (g) | Graphite Mould Type |
|-------------|--------|-------------------|------------------|---------------------|
| 16 | 5/8 | 10 | 90 | DSSB-CR33-C-1610 |
| 16 | 5/8 | 16 | 90 | DSSB-CR33-C-1616 |
| 16 | 5/8 | 25 | 90 | DSSB-CR33-C-1625 |
| 16 | 5/8 | 35 | 90 | DSSB-CR33-C-1635 |
| 16 | 5/8 | 50 | 115 | DSSB-CR33-C-1650 |
| 16 | 5/8 | 70 | 115 | DSSB-CR33-C-1670 |
| 16 | 5/8 | 95 | 150 | DSSB-CR33-C-1695 |
| 16 | 5/8 | 120 | 200 | DSSB-CR33-C-16120 |
| 16 | 5/8 | 150 | 250 | DSSB-CR33-D-16150 |
| 16 | 5/8 | 185 | 250 | DSSB-CR33-D-16185 |
| 16 | 5/8 | 240 | 2-200 | DSSB-CR33-D-16240 |
| 19 | 3/4 | 10 | 90 | DSSB-CR33-C-1910 |
| 19 | 3/4 | 16 | 90 | DSSB-CR33-C-1916 |
| 19 | 3/4 | 25 | 90 | DSSB-CR33-C-1925 |
| 19 | 3/4 | 35 | 90 | DSSB-CR33-C-1935 |
| 19 | 3/4 | 50 | 115 | DSSB-CR33-C-1950 |
| 19 | 3/4 | 70 | 150 | DSSB-CR33-C-1970 |
| 19 | 3/4 | 95 | 150 | DSSB-CR33-C-1995 |
| 19 | 3/4 | 120 | 200 | DSSB-CR33-C-19120 |
| 19 | 3/4 | 150 | 250 | DSSB-CR33-D-19150 |
| 19 | 3/4 | 185 | 2-200 | DSSB-CR33-D-19185 |
| 19 | 3/4 | 240 | 2-200 | DSSB-CR33-D-19240 |

EXOTHERMIC WELDING

CABLE TO REBAR PARTIALLY WRAPPED CONNECTION CRE1P

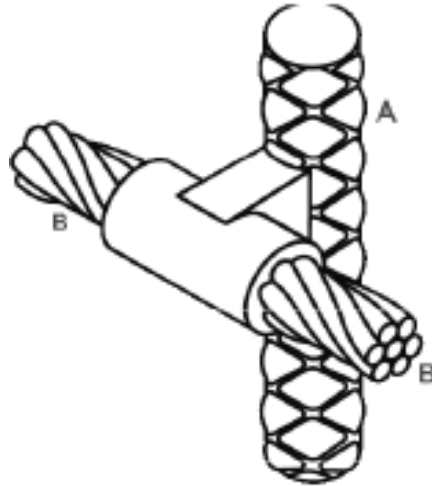


Horizontal parallel cable
& rebar tap

| A mm | B mm ² | Metal Powder (g) | Graphite Mould Type | Handle Clamp Type |
|----------|----------------------|---------------------|---------------------|----------------------|
| 20 TO 40 | 16 | 45 | DSSB-ARE1P-A-16 | DSSB-HCCA00 |
| 20 TO 40 | 25 | 45 | DSSB-ARE1P-A-25 | DSSB-HCCA00 |
| 20 TO 40 | 35 | 45 | DSSB-ARE1P-A-35 | DSSB-HCCA00 |
| 20 TO 40 | 50 | 90 | DSSB-CRE1P-C-50 | DSSB-HCCA00-Z |
| 20 TO 40 | 70 | 90 | DSSB-CRE1P-C-70 | DSSB-HCCA00-Z |
| 20 TO 40 | 95 | 90 | DSSB-CRE1P-C-95 | DSSB-HCCA00-Z |
| 20 TO 40 | 120 | 90 | DSSB-CRE1P-C-120 | DSSB-HCCA00-Z |

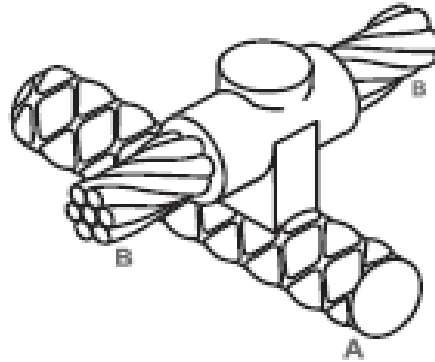
EXOTHERMIC WELDING

CABLE TO REBAR PARTIALLY WRAPPED CONNECTION CRE3P



| A mm | B mm ² | Metal Powder (g) | Graphite Mould Type | Handle Clamp Type |
|----------|----------------------|---------------------|---------------------|----------------------|
| 20 TO 40 | 16 | 45 | DSSB-CRE3P-C-16 | DSSB-HCC00-X |
| 20 TO 40 | 25 | 45 | DSSB-CRE3P-C-25 | DSSB-HCC00-X |
| 20 TO 40 | 35 | 45 | DSSB-CRE3P-C-35 | DSSB-HCC00-X |
| 20 TO 40 | 50 | 90 | DSSB-CRE3P-C-50 | DSSB-HCC00-X |
| 20 TO 40 | 70 | 90 | DSSB-CRE3P-C-70 | DSSB-HCC00-X |
| 20 TO 40 | 95 | 90 | DSSB-CRE3P-C-95 | DSSB-HCC00-X |
| 20 TO 40 | 120 | 90 | DSSB-CRE3P-C-120 | DSSB-HCC00-X |

**CABLE TO REBAR PARTIALLY WRAPPED CONNECTION
CRE4P**



**Horizontal thru cable to
horizontal rebar**

| A mm | B mm ² | Metal Powder (g) | Graphite Mould Type | Handle Clamp Type |
|----------|----------------------|---------------------|---------------------|----------------------|
| 20 TO 40 | 16 | 65 | DSSB-CRE4P-C-16 | DSSB-HCC00-Z |
| 20 TO 40 | 25 | 65 | DSSB-CRE4P-C-25 | DSSB-HCC00-Z |
| 20 TO 40 | 35 | 90 | DSSB-CRE4P-C-35 | DSSB-HCC00-Z |
| 20 TO 40 | 50 | 115 | DSSB-CRE4P-C-50 | DSSB-HCC00-Z |
| 20 TO 40 | 70 | 115 | DSSB-CRE4P-C-70 | DSSB-HCC00-Z |
| 20 TO 40 | 95 | 150 | DSSB-CRE4P-C-95 | DSSB-HCC00-Z |
| 20 TO 40 | 120 | 150 | DSSB-CRE4P-C-120 | DSSB-HCC00-Z |

EXOTHERMIC WELDING

**CABLE TO REBAR PARTIALLY WRAPPED CONNECTION
CRE6P**

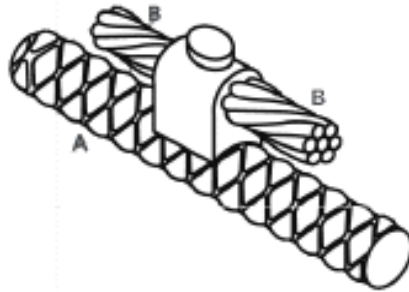


Horizontal cable tap to vertical rebar

| A mm | B mm² | Metal Powder (g) | Graphite Mould Type | Handle Clamp Type |
|-----------------|-----------------------------|-----------------------------|----------------------------|------------------------------|
| 20 TO 40 | 16 | 45 | DSSB-CRE6P-C-16 | DSSB-HCC00-X |
| 20 TO 40 | 25 | 45 | DSSB-CRE6P-C-25 | DSSB-HCC00-X |
| 20 TO 40 | 35 | 45 | DSSB-CRE6P-C-35 | DSSB-HCC00-X |
| 20 TO 40 | 50 | 65 | DSSB-CRE6P-C-50 | DSSB-HCC00-X |
| 20 TO 40 | 70 | 90 | DSSB-CRE6P-C-70 | DSSB-HCC00-X |
| 20 TO 40 | 95 | 90 | DSSB-CRE6P-C-95 | DSSB-HCC00-X |
| 20 TO 40 | 120 | 90 | DSSB-CRE6P-C-120 | DSSB-HCC00-X |

EXOTHERMIC WELDING

**CABLE TO REBAR PARTIALLY WRAPPED CONNECTION
CRE17P**

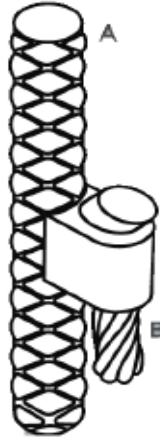


**Horizontal parallel thru
cable to horizontal rebar**

| A mm | B mm² | Metal Powder (g) | Graphite Mould Type | Handle Clamp Type |
|-----------------|-----------------------------|-----------------------------|----------------------------|------------------------------|
| 20 TO 40 | 16 | 45 | DSSB-CRE17P-C-16 | DSSB-HCC00-Z |
| 20 TO 40 | 25 | 45 | DSSB-CRE17P-C-25 | DSSB-HCC00-Z |
| 20 TO 40 | 35 | 45 | DSSB-CRE17P-C-35 | DSSB-HCC00-Z |
| 20 TO 40 | 50 | 90 | DSSB-CRE17P-C-50 | DSSB-HCC00-Z |
| 20 TO 40 | 70 | 90 | DSSB-CRE17P-C-70 | DSSB-HCC00-Z |
| 20 TO 40 | 95 | 90 | DSSB-CRE17P-C-95 | DSSB-HCC00-Z |
| 20 TO 40 | 120 | 90 | DSSB-CRE17P-C-120 | DSSB-HCC00-Z |
| 20 TO 40 | 240 | 2x150 | DSSB-CRE17P-D-240 | DSSB-HCD00-Z |

EXOTHERMIC WELDING

**CABLE TO REBAR PARTIALLY WRAPPED CONNECTION
CRE18P**

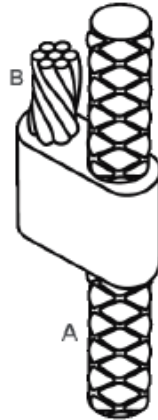


**Vertical parallel down
cable to vertical rebar**

| A mm | B mm ² | Metal Powder (g) | Graphite Mould Type | Handle Clamp Type |
|----------|----------------------|---------------------|---------------------|----------------------|
| 20 TO 40 | 16 | 90 | DSSB-CRE18P-CL-16 | DSSB-HCC00-X |
| 20 TO 40 | 25 | 90 | DSSB-CRE18P-CL-25 | DSSB-HCC00-X |
| 20 TO 40 | 35 | 115 | DSSB-CRE18P-CL-35 | DSSB-HCC00-X |
| 20 TO 40 | 50 | 115 | DSSB-CRE18P-CL-50 | DSSB-HCC00-X |
| 20 TO 40 | 70 | 150 | DSSB-CRE18P-CL-70 | DSSB-HCC00-X |
| 20 TO 40 | 95 | 200 | DSSB-CRE18P-CL-95 | DSSB-HCC00-X |
| 20 TO 40 | 120 | 250 | DSSB-CRE18P-CL-120 | DSSB-HCC00-X |

EXOTHERMIC WELDING

**CABLE TO REBAR PARTIALLY WRAPPED CONNECTION
CRE19P**

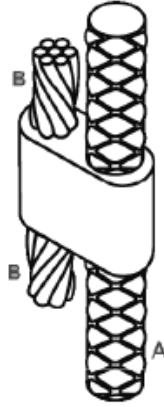


**Vertical parallel up
cable to vertical rebar**

| A mm | B mm² | Metal Powder (g) | Graphite Mould Type | Handle Clamp Type |
|-----------------|-----------------------------|-----------------------------|--------------------------------|------------------------------|
| 20 TO 40 | 16 | 90 | DSSB-CRE19P-CL-16 | DSSB-HCC00-X |
| 20 TO 40 | 25 | 90 | DSSB-CRE19P-CL-25 | DSSB-HCC00-X |
| 20 TO 40 | 35 | 115 | DSSB-CRE19P-CL-35 | DSSB-HCC00-X |
| 20 TO 40 | 50 | 115 | DSSB-CRE19P-CL-50 | DSSB-HCC00-X |
| 20 TO 40 | 70 | 150 | DSSB-CRE19P-CL-70 | DSSB-HCC00-X |
| 20 TO 40 | 95 | 200 | DSSB-CRE19P-CL-95 | DSSB-HCC00-X |
| 20 TO 40 | 120 | 250 | DSSB-CRE19P-CL-120 | DSSB-HCC00-X |

EXOTHERMIC WELDING

**CABLE TO REBAR PARTIALLY WRAPPED CONNECTION
CRE20P**

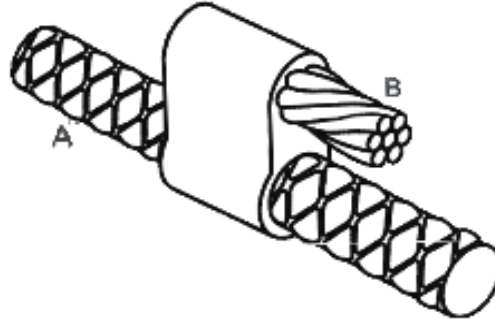


**Vertical parallel thru
cable to vertical rebar**

| A mm | B mm² | Metal Powder (g) | Graphite Mould Type | Handle Clamp Type |
|-----------------|-----------------------------|-----------------------------|----------------------------|------------------------------|
| 20 TO 40 | 16 | 90 | DSSB-CRE20P-CL-16 | DSSB-HCC00-X |
| 20 TO 40 | 25 | 90 | DSSB-CRE20P-CL-25 | DSSB-HCC00-X |
| 20 TO 40 | 35 | 115 | DSSB-CRE20P-CL-35 | DSSB-HCC00-X |
| 20 TO 40 | 50 | 115 | DSSB-CRE20P-CL-50 | DSSB-HCC00-X |
| 20 TO 40 | 70 | 150 | DSSB-CRE20P-CL-70 | DSSB-HCC00-X |
| 20 TO 40 | 95 | 200 | DSSB-CRE20P-CL-95 | DSSB-HCC00-X |
| 20 TO 40 | 120 | 250 | DSSB-CRE20P-CL-120 | DSSB-HCC00-X |

EXOTHERMIC WELDING

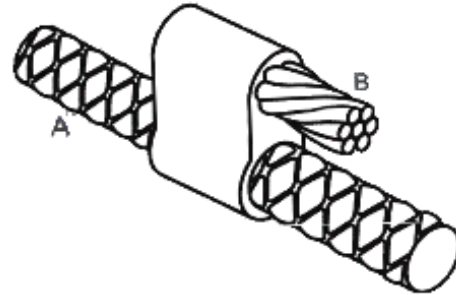
CABLE TO REBAR FULLY WRAPPED CONNECTION CRE1



**Horizontal parallel cable
to horizontal rebar**

| Conductor Size | | Metal Powder (g) | Graphite Mould Type | Handle Clamp Type |
|------------------|------------------|---------------------|---------------------|----------------------|
| Amm ² | Bmm ² | | | |
| 10 | 16 | 115 | DSSB-CRE1-C-1610R | DSSB-HCC00 |
| 10 | 25 | 115 | DSSB-CRE1-C-2510R | DSSB-HCC00 |
| 10 | 35 | 115 | DSSB-CRE1-C-3510R | DSSB-HCC00 |
| 10 | 50 | 150 | DSSB-CRE1-C-5010R | DSSB-HCC00 |
| 10 | 70 | 150 | DSSB-CRE1-C-7010R | DSSB-HCC00 |
| 10 | 95 | 200 | DSSB-CRE1-C-9510R | DSSB-HCC00 |
| 10 | 120 | 200 | DSSB-CRE1-C-12010R | DSSB-HCC00 |
| 12 | 16 | 115 | DSSB-CRE1-C-1612R | DSSB-HCC00 |
| 12 | 25 | 115 | DSSB-CRE1-C-2512R | DSSB-HCC00 |
| 12 | 35 | 115 | DSSB-CRE1-C-3512R | DSSB-HCC00 |
| 12 | 50 | 150 | DSSB-CRE1-C-5012R | DSSB-HCC00 |
| 12 | 70 | 150 | DSSB-CRE1-C-7012R | DSSB-HCC00 |
| 12 | 95 | 200 | DSSB-CRE1-C-9512R | DSSB-HCC00 |
| 12 | 120 | 200 | DSSB-CRE1-C-12012R | DSSB-HCC00 |
| 16 | 16 | 115 | DSSB-CRE1-C-1616R | DSSB-HCC00 |
| 16 | 25 | 115 | DSSB-CRE1-C-2516R | DSSB-HCC00 |
| 16 | 35 | 115 | DSSB-CRE1-C-3516R | DSSB-HCC00 |
| 16 | 50 | 150 | DSSB-CRE1-C-5016R | DSSB-HCC00 |
| 16 | 70 | 200 | DSSB-CRE1-C-7016R | DSSB-HCC00 |
| 16 | 95 | 200 | DSSB-CRE1-C-9516R | DSSB-HCC00 |
| 16 | 120 | 200 | DSSB-CRE1-C-12016R | DSSB-HCC00 |
| 20 | 16 | 150 | DSSB-CRE1-C-1620R | DSSB-HCC00 |
| 20 | 25 | 150 | DSSB-CRE1-C-2520R | DSSB-HCC00 |
| 20 | 35 | 150 | DSSB-CRE1-C-3520R | DSSB-HCC00 |

**CABLE TO REBAR FULLY WRAPPED CONNECTION
CRE1**

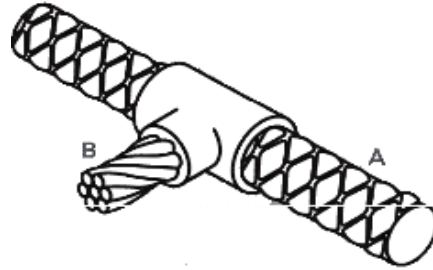


**Horizontal parallel cable
to horizontal rebar**

| Conductor Size | | Metal Powder (g) | Graphite Mould Type | Handle Clamp Type |
|------------------|------------------|---------------------|---------------------|----------------------|
| Amm ² | Bmm ² | | | |
| 20 | 70 | 200 | DSSB-CRE1-C-7020R | DSSB-HCC00 |
| 20 | 95 | 250 | DSSB-CRE1-C-9520R | DSSB-HCC00 |
| 20 | 120 | 250 | DSSB-CRE1-C-12020R | DSSB-HCC00 |
| 25 | 16 | 150 | DSSB-CRE1-C-1625R | DSSB-HCC00 |
| 25 | 25 | 150 | DSSB-CRE1-C-2525R | DSSB-HCC00 |
| 25 | 35 | 200 | DSSB-CRE1-C-3525R | DSSB-HCC00 |
| 25 | 50 | 200 | DSSB-CRE1-C-5025R | DSSB-HCC00 |
| 25 | 70 | 250 | DSSB-CRE1-C-7025R | DSSB-HCC00 |
| 25 | 95 | 250 | DSSB-CRE1-C-9525R | DSSB-HCC00 |
| 25 | 120 | 250 | DSSB-CRE1-C-12025R | DSSB-HCC00 |
| 30 | 16 | 200 | DSSB-CRE1-C-1630R | DSSB-HCC00 |
| 30 | 25 | 200 | DSSB-CRE1-C-2530R | DSSB-HCC00 |
| 30 | 35 | 200 | DSSB-CRE1-C-3530R | DSSB-HCC00 |
| 30 | 50 | 250 | DSSB-CRE1-C-5030R | DSSB-HCC00 |
| 30 | 70 | 250 | DSSB-CRE1-C-7030R | DSSB-HCC00 |
| 30 | 95 | 250 | DSSB-CRE1-C-9530R | DSSB-HCC00 |
| 30 | 120 | 250 | DSSB-CRE1-C-12030R | DSSB-HCC00 |

EXOTHERMIC WELDING

CABLE TO REBAR FULLY WRAPPED CONNECTION CRE2

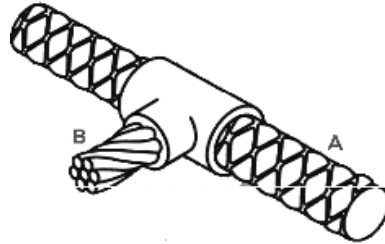


Horizontal cable tap to
horizontal rebar

| Conductor Size | | Metal Powder (g) | Graphite Mould Type | Handle Clamp Type |
|------------------|------------------|---------------------|---------------------|----------------------|
| Amm ² | Bmm ² | | | |
| 10 | 16 | 45 | DSSB-CRE2-C-1610R | DSSB-HCC00 |
| 10 | 25 | 45 | DSSB-CRE2-C-2510R | DSSB-HCC00 |
| 10 | 35 | 65 | DSSB-CRE2-C-3510R | DSSB-HCC00 |
| 10 | 50 | 90 | DSSB-CRE2-C-5010R | DSSB-HCC00 |
| 10 | 70 | 90 | DSSB-CRE2-C-7010R | DSSB-HCC00 |
| 10 | 95 | 115 | DSSB-CRE2-C-9510R | DSSB-HCC00 |
| 10 | 120 | 115 | DSSB-CRE2-C-12010R | DSSB-HCC00 |
| 10 | 150 | 150 | DSSB-CRE2-C-15010R | DSSB-HCC00 |
| 10 | 185 | 150 | DSSB-CRE2-C-18510R | DSSB-HCC00 |
| 10 | 240 | 200 | DSSB-CRE2-C-24010R | DSSB-HCC00 |
| 10 | 300 | 200 | DSSB-CRE2-C-30010R | DSSB-HCC00 |
| 12 | 16 | 45 | DSSB-CRE2-C-1612R | DSSB-HCC00 |
| 12 | 25 | 45 | DSSB-CRE2-C-2512R | DSSB-HCC00 |
| 12 | 35 | 65 | DSSB-CRE2-C-3512R | DSSB-HCC00 |
| 12 | 50 | 90 | DSSB-CRE2-C-5012R | DSSB-HCC00 |
| 12 | 70 | 90 | DSSB-CRE2-C-7012R | DSSB-HCC00 |
| 12 | 95 | 115 | DSSB-CRE2-C-9512R | DSSB-HCC00 |
| 12 | 120 | 115 | DSSB-CRE2-C-12012R | DSSB-HCC00 |
| 12 | 150 | 150 | DSSB-CRE2-C-15012R | DSSB-HCC00 |
| 12 | 185 | 150 | DSSB-CRE2-C-18512R | DSSB-HCC00 |
| 12 | 240 | 200 | DSSB-CRE2-C-24012R | DSSB-HCC00 |
| 12 | 300 | 200 | DSSB-CRE2-C-30012R | DSSB-HCC00 |
| 16 | 16 | 90 | DSSB-CRE2-C-1616R | DSSB-HCC00 |
| 16 | 25 | 90 | DSSB-CRE2-C-2516R | DSSB-HCC00 |
| 16 | 35 | 90 | DSSB-CRE2-C-3516R | DSSB-HCC00 |
| 16 | 50 | 115 | DSSB-CRE2-C-5016R | DSSB-HCC00 |
| 16 | 70 | 115 | DSSB-CRE2-C-7016R | DSSB-HCC00 |
| 16 | 95 | 150 | DSSB-CRE2-C-9516R | DSSB-HCC00 |
| 16 | 120 | 150 | DSSB-CRE2-C-12016R | DSSB-HCC00 |
| 16 | 150 | 200 | DSSB-CRE2-C-15016R | DSSB-HCC00 |
| 16 | 185 | 200 | DSSB-CRE2-C-18516R | DSSB-HCC00 |
| 16 | 240 | 250 | DSSB-CRE2-C-24016R | DSSB-HCC00 |
| 16 | 300 | 2x150 | DSSB-CRE2-D-30010R | DSSB-HCD00 |

EXOTHERMIC WELDING

CABLE TO REBAR FULLY WRAPPED CONNECTION CRE2

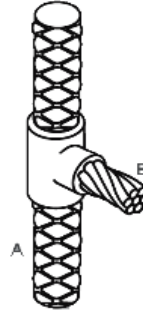


Horizontal cable tap to horizontal rebar

| Conductor Size | | Metal Powder (g) | Graphite Mould Type | Handle Clamp Type |
|------------------|------------------|------------------|---------------------|-------------------|
| Amm ² | Bmm ² | | | |
| 20 | 16 | 115 | DSSB-CRE2-C-1620R | DSSB-HCC00 |
| 20 | 25 | 115 | DSSB-CRE2-C-2520R | DSSB-HCC00 |
| 20 | 35 | 115 | DSSB-CRE2-C-3520R | DSSB-HCC00 |
| 20 | 50 | 150 | DSSB-CRE2-C-5020R | DSSB-HCC00 |
| 20 | 70 | 150 | DSSB-CRE2-C-7020R | DSSB-HCC00 |
| 20 | 95 | 200 | DSSB-CRE2-C-9520R | DSSB-HCC00 |
| 20 | 120 | 200 | DSSB-CRE2-C-12020R | DSSB-HCC00 |
| 20 | 150 | 200 | DSSB-CRE2-C-15020R | DSSB-HCC00 |
| 20 | 185 | 250 | DSSB-CRE2-C-18520R | DSSB-HCC00 |
| 20 | 240 | 2X150 | DSSB-CRE2-D-24020R | DSSB-HCC00 |
| 20 | 300 | 2X200 | DSSB-CRE2-D-30020R | DSSB-HCC00 |
| 25 | 16 | 200 | DSSB-CRE2-C-1625R | DSSB-HCC00 |
| 25 | 25 | 200 | DSSB-CRE2-C-2525R | DSSB-HCC00 |
| 25 | 35 | 200 | DSSB-CRE2-C-3525R | DSSB-HCC00 |
| 25 | 50 | 200 | DSSB-CRE2-C-5025R | DSSB-HCC00 |
| 25 | 70 | 250 | DSSB-CRE2-C-7025R | DSSB-HCC00 |
| 25 | 95 | 250 | DSSB-CRE2-C-9525R | DSSB-HCC00 |
| 25 | 120 | 250 | DSSB-CRE2-C-12025R | DSSB-HCC00 |
| 25 | 150 | 2X150 | DSSB-CRE2-D-15025R | DSSB-HCD00 |
| 25 | 185 | 2X150 | DSSB-CRE2-D-18525R | DSSB-HCD00 |
| 25 | 240 | 2X200 | DSSB-CRE2-D-24025R | DSSB-HCD00 |
| 25 | 300 | 2X200 | DSSB-CRE2-D-30025R | DSSB-HCD00 |
| 30 | 16 | 250 | DSSB-CRE2-C-1630R | DSSB-HCC00 |
| 30 | 25 | 250 | DSSB-CRE2-C-2530R | DSSB-HCC00 |
| 30 | 35 | 250 | DSSB-CRE2-C-3530R | DSSB-HCC00 |
| 30 | 50 | 2X150 | DSSB-CRE2-D-5030R | DSSB-HCD00 |
| 30 | 70 | 2X150 | DSSB-CRE2-D-7030R | DSSB-HCD00 |
| 30 | 92 | 2X150 | DSSB-CRE2-D-9530R | DSSB-HCD00 |
| 30 | 120 | 2X200 | DSSB-CRE2-D-12030R | DSSB-HCD00 |
| 30 | 150 | 2X200 | DSSB-CRE2-D-15030R | DSSB-HCD00 |
| 30 | 185 | 2X250 | DSSB-CRE2-D-18530R | DSSB-HCD00 |
| 30 | 240 | 3X200 | DSSB-CRE2-D-24030R | DSSB-HCD00 |
| 30 | 300 | 3X200 | DSSB-CRE2-D-30030R | DSSB-HCD00 |

EXOTHERMIC WELDING

CABLE TO REBAR FULLY WRAPPED CONNECTION CRE6

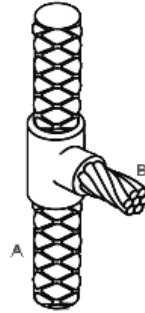


Horizontal cable tap to
vertical rebar

| Conductor Size | | Metal Powder (g) | Graphite Mould Type | Handle Clamp Type |
|------------------|------------------|---------------------|---------------------|----------------------|
| Amm ² | Bmm ² | | | |
| 10 | 16 | 65 | DSSB-CRE6-CL-1610R | DSSB-HCC00 |
| 10 | 25 | 65 | DSSB-CRE6-CL-2510R | DSSB-HCC00 |
| 10 | 35 | 65 | DSSB-CRE6-CL-3510R | DSSB-HCC00 |
| 10 | 50 | 115 | DSSB-CRE6-CL-5010R | DSSB-HCC00 |
| 10 | 70 | 115 | DSSB-CRE6-CL-7010R | DSSB-HCC00 |
| 10 | 95 | 150 | DSSB-CRE6-CL-9510R | DSSB-HCC00 |
| 10 | 120 | 150 | DSSB-CRE6-CL-12010R | DSSB-HCC00 |
| 12 | 16 | 65 | DSSB-CRE6-CL-1612R | DSSB-HCC00 |
| 12 | 25 | 65 | DSSB-CRE6-CL-2512R | DSSB-HCC00 |
| 12 | 35 | 65 | DSSB-CRE6-CL-3512R | DSSB-HCC00 |
| 12 | 50 | 115 | DSSB-CRE6-CL-5012R | DSSB-HCC00 |
| 12 | 70 | 115 | DSSB-CRE6-CL-7012R | DSSB-HCC00 |
| 12 | 95 | 150 | DSSB-CRE6-CL-9512R | DSSB-HCC00 |
| 12 | 120 | 150 | DSSB-CRE6-CL-12012R | DSSB-HCC00 |
| 16 | 16 | 65 | DSSB-CRE6-CL-1616R | DSSB-HCC00 |
| 16 | 25 | 65 | DSSB-CRE6-CL-2516R | DSSB-HCC00 |
| 16 | 35 | 65 | DSSB-CRE6-CL-3516R | DSSB-HCC00 |
| 16 | 50 | 115 | DSSB-CRE6-CL-5016R | DSSB-HCC00 |
| 16 | 70 | 115 | DSSB-CRE6-CL-7016R | DSSB-HCC00 |
| 16 | 95 | 150 | DSSB-CRE6-CL-9516R | DSSB-HCC00 |
| 16 | 120 | 150 | DSSB-CRE6-CL-12016R | DSSB-HCC00 |

EXOTHERMIC WELDING

CABLE TO REBAR FULLY WRAPPED CONNECTION CRE6

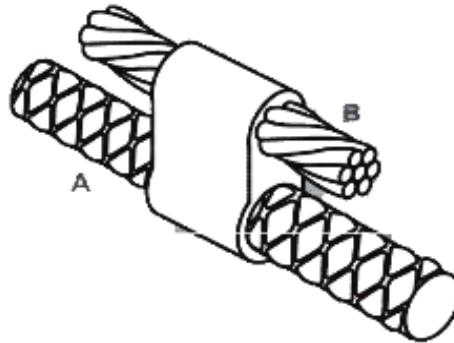


Horizontal cable tap to
vertical rebar

| Conductor Size | | Metal Powder (g) | Graphite Mould Type | Handle Clamp Type |
|------------------|------------------|---------------------|---------------------|----------------------|
| Amm ² | Bmm ² | | | |
| 20 | 16 | 65 | DSSB-CRE6-CL-1620R | DSSB-HCC00 |
| 20 | 25 | 65 | DSSB-CRE6-CL-2520R | DSSB-HCC00 |
| 20 | 35 | 65 | DSSB-CRE6-CL-3520R | DSSB-HCC00 |
| 20 | 50 | 115 | DSSB-CRE6-CL-5020R | DSSB-HCC00 |
| 20 | 70 | 115 | DSSB-CRE6-CL-7020R | DSSB-HCC00 |
| 20 | 95 | 150 | DSSB-CRE6-CL-9520R | DSSB-HCC00 |
| 20 | 120 | 150 | DSSB-CRE6-CL-12020R | DSSB-HCC00 |
| 25 | 16 | 65 | DSSB-CRE6-CL-1625R | DSSB-HCC00 |
| 25 | 25 | 65 | DSSB-CRE6-CL-2525R | DSSB-HCC00 |
| 25 | 35 | 65 | DSSB-CRE6-CL-3525R | DSSB-HCC00 |
| 25 | 50 | 115 | DSSB-CRE6-CL-5025R | DSSB-HCC00 |
| 25 | 70 | 115 | DSSB-CRE6-CL-7025R | DSSB-HCC00 |
| 25 | 95 | 150 | DSSB-CRE6-CL-9525R | DSSB-HCC00 |
| 25 | 120 | 150 | DSSB-CRE6-CL-12025R | DSSB-HCC00 |
| 30 | 16 | 65 | DSSB-CRE6-CL-1630R | DSSB-HCC00 |
| 30 | 25 | 65 | DSSB-CRE6-CL-2530R | DSSB-HCC00 |
| 30 | 35 | 65 | DSSB-CRE6-CL-3530R | DSSB-HCC00 |
| 30 | 50 | 115 | DSSB-CRE6-CL-5030R | DSSB-HCC00 |
| 30 | 70 | 115 | DSSB-CRE6-CL-7030R | DSSB-HCC00 |
| 30 | 92 | 150 | DSSB-CRE6-CL-9530R | DSSB-HCC00 |
| 30 | 120 | 150 | DSSB-CRE6-CL-12030R | DSSB-HCC00 |

EXOTHERMIC WELDING

CABLE TO REBAR FULLY WRAPPED CONNECTION CRE17

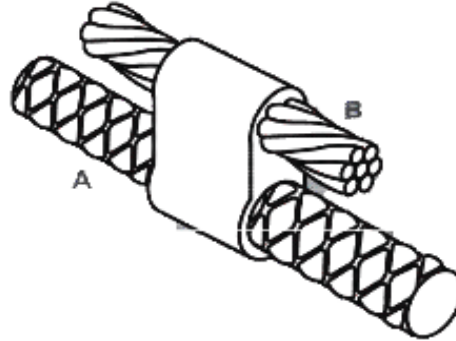


Horizontal parallel thru
cable to horizontal rebar

| Conductor Size | | Metal Powder (g) | Graphite Mould Type | Handle Clamp Type |
|------------------|------------------|---------------------|---------------------|----------------------|
| Amm ² | Bmm ² | | | |
| 10 | 16 | 115 | DSSB-CRE17-C-1610R | DSSB-HCC00 |
| 10 | 25 | 115 | DSSB-CRE17-C-2510R | DSSB-HCC00 |
| 10 | 35 | 115 | DSSB-CRE17-C-3510R | DSSB-HCC00 |
| 10 | 50 | 150 | DSSB-CRE17-C-5010R | DSSB-HCC00 |
| 10 | 70 | 150 | DSSB-CRE17-C-7010R | DSSB-HCC00 |
| 10 | 95 | 200 | DSSB-CRE17-C-9510R | DSSB-HCC00 |
| 10 | 120 | 200 | DSSB-CRE17-C-12010R | DSSB-HCC00 |
| 12 | 16 | 115 | DSSB-CRE17-C-1612R | DSSB-HCC00 |
| 12 | 25 | 115 | DSSB-CRE17-C-2512R | DSSB-HCC00 |
| 12 | 35 | 115 | DSSB-CRE17-C-3512R | DSSB-HCC00 |
| 12 | 50 | 150 | DSSB-CRE17-C-5012R | DSSB-HCC00 |
| 12 | 70 | 150 | DSSB-CRE17-C-7012R | DSSB-HCC00 |
| 12 | 95 | 200 | DSSB-CRE17-C-9512R | DSSB-HCC00 |
| 12 | 120 | 200 | DSSB-CRE17-C-12012R | DSSB-HCC00 |
| 16 | 16 | 115 | DSSB-CRE17-C-1616R | DSSB-HCC00 |
| 16 | 25 | 115 | DSSB-CRE17-C-2516R | DSSB-HCC00 |
| 16 | 35 | 115 | DSSB-CRE17-C-3516R | DSSB-HCC00 |
| 16 | 50 | 150 | DSSB-CRE17-C-5016R | DSSB-HCC00 |
| 16 | 70 | 200 | DSSB-CRE17-C-7016R | DSSB-HCC00 |
| 16 | 95 | 200 | DSSB-CRE17-C-9516R | DSSB-HCC00 |
| 16 | 120 | 200 | DSSB-CRE17-C-12016R | DSSB-HCC00 |

EXOTHERMIC WELDING

CABLE TO REBAR FULLY WRAPPED CONNECTION CRE17

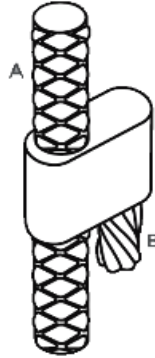


Horizontal parallel thru
cable to horizontal rebar

| Conductor Size | | Metal Powder (g) | Graphite Mould Type | Handle Clamp Type |
|------------------|------------------|---------------------|---------------------|----------------------|
| Amm ² | Bmm ² | | | |
| 20 | 16 | 150 | DSSB-CRE17-C-1620R | DSSB-HCC00 |
| 20 | 25 | 150 | DSSB-CRE17-C-2520R | DSSB-HCC00 |
| 20 | 35 | 150 | DSSB-CRE17-C-3520R | DSSB-HCC00 |
| 20 | 50 | 200 | DSSB-CRE17-C-5020R | DSSB-HCC00 |
| 20 | 70 | 200 | DSSB-CRE17-C-7020R | DSSB-HCC00 |
| 20 | 95 | 250 | DSSB-CRE17-C-9520R | DSSB-HCC00 |
| 20 | 120 | 250 | DSSB-CRE17-C-12020R | DSSB-HCC00 |
| 25 | 16 | 150 | DSSB-CRE17-C-1625R | DSSB-HCC00 |
| 25 | 25 | 150 | DSSB-CRE17-C-2525R | DSSB-HCC00 |
| 25 | 35 | 200 | DSSB-CRE17-C-3525R | DSSB-HCC00 |
| 25 | 50 | 200 | DSSB-CRE17-C-5025R | DSSB-HCC00 |
| 25 | 70 | 250 | DSSB-CRE17-C-7025R | DSSB-HCC00 |
| 25 | 95 | 250 | DSSB-CRE17-C-9525R | DSSB-HCC00 |
| 25 | 120 | 250 | DSSB-CRE17-C-12025R | DSSB-HCC00 |
| 30 | 16 | 200 | DSSB-CRE17-C-1630R | DSSB-HCC00 |
| 30 | 25 | 200 | DSSB-CRE17-C-2530R | DSSB-HCC00 |
| 30 | 35 | 200 | DSSB-CRE17-C-3530R | DSSB-HCC00 |
| 30 | 50 | 250 | DSSB-CRE17-C-5030R | DSSB-HCC00 |
| 30 | 70 | 250 | DSSB-CRE17-C-7030R | DSSB-HCC00 |
| 30 | 95 | 250 | DSSB-CRE17-C-9530R | DSSB-HCC00 |
| 30 | 120 | 250 | DSSB-CRE17-C-12030R | DSSB-HCC00 |

EXOTHERMIC WELDING

CABLE TO REBAR FULLY WRAPPED CONNECTION CRE18

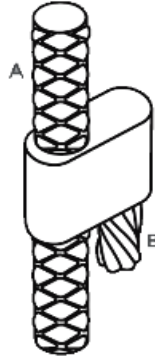


**Vertical parallel down
cable to vertical rebar**

| Conductor Size | | Metal Powder (g) | Graphite Mould Type | Handle Clamp Type |
|------------------|------------------|---------------------|----------------------|----------------------|
| Amm ² | Bmm ² | | | |
| 10 | 16 | 115 | DSSB-CRE18-CL-1610R | DSSB-HCC00 |
| 10 | 25 | 115 | DSSB-CRE18-CL-2510R | DSSB-HCC00 |
| 10 | 35 | 115 | DSSB-CRE18-CL-3510R | DSSB-HCC00 |
| 10 | 50 | 150 | DSSB-CRE18-CL-5010R | DSSB-HCC00 |
| 10 | 70 | 150 | DSSB-CRE18-CL-7010R | DSSB-HCC00 |
| 10 | 95 | 200 | DSSB-CRE18-CL-9510R | DSSB-HCC00 |
| 10 | 120 | 200 | DSSB-CRE18-CL-12010R | DSSB-HCC00 |
| 12 | 16 | 115 | DSSB-CRE18-CL-1612R | DSSB-HCC00 |
| 12 | 25 | 115 | DSSB-CRE18-CL-2512R | DSSB-HCC00 |
| 12 | 35 | 115 | DSSB-CRE18-CL-3512R | DSSB-HCC00 |
| 12 | 50 | 150 | DSSB-CRE18-CL-5012R | DSSB-HCC00 |
| 12 | 70 | 150 | DSSB-CRE18-CL-7012R | DSSB-HCC00 |
| 12 | 95 | 200 | DSSB-CRE18-CL-9512R | DSSB-HCC00 |
| 12 | 120 | 200 | DSSB-CRE18-CL-12012R | DSSB-HCC00 |
| 16 | 16 | 115 | DSSB-CRE18-CL-1616R | DSSB-HCC00 |
| 16 | 25 | 115 | DSSB-CRE18-CL-2516R | DSSB-HCC00 |
| 16 | 35 | 115 | DSSB-CRE18-CL-3516R | DSSB-HCC00 |
| 16 | 50 | 150 | DSSB-CRE18-CL-5016R | DSSB-HCC00 |
| 16 | 70 | 200 | DSSB-CRE18-CL-7016R | DSSB-HCC00 |
| 16 | 95 | 200 | DSSB-CRE18-CL-9516R | DSSB-HCC00 |
| 16 | 120 | 200 | DSSB-CRE18-CL-12016R | DSSB-HCC00 |

EXOTHERMIC WELDING

CABLE TO REBAR FULLY WRAPPED CONNECTION CRE18

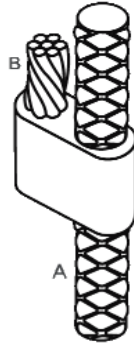


Vertical parallel down
cable to vertical rebar

| Conductor Size | | Metal Powder (g) | Graphite Mould Type | Handle Clamp Type |
|------------------|------------------|---------------------|----------------------|----------------------|
| Amm ² | Bmm ² | | | |
| 20 | 16 | 150 | DSSB-CRE18-CL-1620R | DSSB-HCC00 |
| 20 | 25 | 150 | DSSB-CRE18-CL-2520R | DSSB-HCC00 |
| 20 | 35 | 150 | DSSB-CRE18-CL-3520R | DSSB-HCC00 |
| 20 | 50 | 200 | DSSB-CRE18-CL-5020R | DSSB-HCC00 |
| 20 | 70 | 200 | DSSB-CRE18-CL-7020R | DSSB-HCC00 |
| 20 | 95 | 250 | DSSB-CRE18-CL-9520R | DSSB-HCC00 |
| 20 | 120 | 250 | DSSB-CRE18-CL-12020R | DSSB-HCC00 |
| 25 | 16 | 150 | DSSB-CRE18-CL-1625R | DSSB-HCC00 |
| 25 | 25 | 150 | DSSB-CRE18-CL-2525R | DSSB-HCC00 |
| 25 | 35 | 200 | DSSB-CRE18-CL-3525R | DSSB-HCC00 |
| 25 | 50 | 200 | DSSB-CRE18-CL-5025R | DSSB-HCC00 |
| 25 | 70 | 250 | DSSB-CRE18-CL-7025R | DSSB-HCC00 |
| 25 | 95 | 250 | DSSB-CRE18-CL-9525R | DSSB-HCC00 |
| 25 | 120 | 250 | DSSB-CRE18-CL-12025R | DSSB-HCC00 |
| 30 | 16 | 200 | DSSB-CRE18-CL-1630R | DSSB-HCC00 |
| 30 | 25 | 200 | DSSB-CRE18-CL-2530R | DSSB-HCC00 |
| 30 | 35 | 200 | DSSB-CRE18-CL-3530R | DSSB-HCC00 |
| 30 | 50 | 250 | DSSB-CRE18-CL-5030R | DSSB-HCC00 |
| 30 | 70 | 250 | DSSB-CRE18-CL-7030R | DSSB-HCC00 |
| 30 | 95 | 250 | DSSB-CRE18-CL-9530R | DSSB-HCC00 |
| 30 | 120 | 250 | DSSB-CRE18-CL-12030R | DSSB-HCC00 |

EXOTHERMIC WELDING

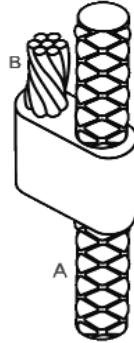
CABLE TO REBAR FULLY WRAPPED CONNECTION CRE19



Vertical parallel up cable
to vertical rebar

| Conductor Size | | Metal Powder (g) | Graphite Mould Type | Handle Clamp Type |
|------------------|------------------|---------------------|----------------------|----------------------|
| Amm ² | Bmm ² | | | |
| 10 | 16 | 115 | DSSB-CRE19-CL-1610R | DSSB-HCC00 |
| 10 | 25 | 115 | DSSB-CRE19-CL-2510R | DSSB-HCC00 |
| 10 | 35 | 115 | DSSB-CRE19-CL-3510R | DSSB-HCC00 |
| 10 | 50 | 150 | DSSB-CRE19-CL-5010R | DSSB-HCC00 |
| 10 | 70 | 150 | DSSB-CRE19-CL-7010R | DSSB-HCC00 |
| 10 | 95 | 200 | DSSB-CRE19-CL-9510R | DSSB-HCC00 |
| 10 | 120 | 200 | DSSB-CRE19-CL-12010R | DSSB-HCC00 |
| 12 | 16 | 115 | DSSB-CRE19-CL-1612R | DSSB-HCC00 |
| 12 | 25 | 115 | DSSB-CRE19-CL-2512R | DSSB-HCC00 |
| 12 | 35 | 115 | DSSB-CRE19-CL-3512R | DSSB-HCC00 |
| 12 | 50 | 150 | DSSB-CRE19-CL-5012R | DSSB-HCC00 |
| 12 | 70 | 150 | DSSB-CRE19-CL-7012R | DSSB-HCC00 |
| 12 | 95 | 200 | DSSB-CRE19-CL-9512R | DSSB-HCC00 |
| 12 | 120 | 200 | DSSB-CRE19-CL-12012R | DSSB-HCC00 |
| 16 | 16 | 115 | DSSB-CRE19-CL-1616R | DSSB-HCC00 |
| 16 | 25 | 115 | DSSB-CRE19-CL-2516R | DSSB-HCC00 |
| 16 | 35 | 115 | DSSB-CRE19-CL-3516R | DSSB-HCC00 |
| 16 | 50 | 150 | DSSB-CRE19-CL-5016R | DSSB-HCC00 |
| 16 | 70 | 200 | DSSB-CRE19-CL-7016R | DSSB-HCC00 |
| 16 | 95 | 200 | DSSB-CRE19-CL-9516R | DSSB-HCC00 |
| 16 | 120 | 200 | DSSB-CRE19-CL-12016R | DSSB-HCC00 |

CABLE TO REBAR FULLY WRAPPED CONNECTION CRE19

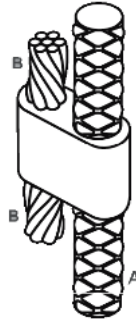


Vertical parallel up cable
to vertical rebar

| Conductor Size | | Metal Powder (g) | Graphite Mould Type | Handle Clamp Type |
|------------------|------------------|---------------------|----------------------|----------------------|
| Amm ² | Bmm ² | | | |
| 20 | 16 | 150 | DSSB-CRE19-CL-1620R | DSSB-HCC00 |
| 20 | 25 | 150 | DSSB-CRE19-CL-2520R | DSSB-HCC00 |
| 20 | 35 | 150 | DSSB-CRE19-CL-3520R | DSSB-HCC00 |
| 20 | 50 | 200 | DSSB-CRE19-CL-5020R | DSSB-HCC00 |
| 20 | 70 | 200 | DSSB-CRE19-CL-7020R | DSSB-HCC00 |
| 20 | 95 | 250 | DSSB-CRE19-CL-9520R | DSSB-HCC00 |
| 20 | 120 | 250 | DSSB-CRE19-CL-12020R | DSSB-HCC00 |
| 25 | 16 | 150 | DSSB-CRE19-CL-1625R | DSSB-HCC00 |
| 25 | 25 | 150 | DSSB-CRE19-CL-2525R | DSSB-HCC00 |
| 25 | 35 | 200 | DSSB-CRE19-CL-3525R | DSSB-HCC00 |
| 25 | 50 | 200 | DSSB-CRE19-CL-5025R | DSSB-HCC00 |
| 25 | 70 | 250 | DSSB-CRE19-CL-7025R | DSSB-HCC00 |
| 25 | 95 | 250 | DSSB-CRE19-CL-9525R | DSSB-HCC00 |
| 25 | 120 | 250 | DSSB-CRE19-CL-12025R | DSSB-HCC00 |
| 30 | 16 | 200 | DSSB-CRE19-CL-1630R | DSSB-HCC00 |
| 30 | 25 | 200 | DSSB-CRE19-CL-2530R | DSSB-HCC00 |
| 30 | 35 | 200 | DSSB-CRE19-CL-3530R | DSSB-HCC00 |
| 30 | 50 | 250 | DSSB-CRE19-CL-5030R | DSSB-HCC00 |
| 30 | 70 | 250 | DSSB-CRE19-CL-7030R | DSSB-HCC00 |
| 30 | 95 | 250 | DSSB-CRE19-CL-9530R | DSSB-HCC00 |
| 30 | 120 | 250 | DSSB-CRE19-CL-12030R | DSSB-HCC00 |

EXOTHERMIC WELDING

CABLE TO REBAR FULLY WRAPPED CONNECTION CRE20

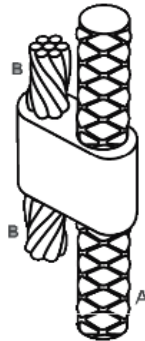


Vertical parallel thru cable to vertical rebar

| Conductor Size | | Metal Powder (g) | Graphite Mould Type | Handle Clamp Type |
|------------------|------------------|------------------|----------------------|-------------------|
| Amm ² | Bmm ² | | | |
| 10 | 16 | 115 | DSSB-CRE20-CL-1610R | DSSB-HCC00 |
| 10 | 25 | 115 | DSSB-CRE20-CL-2510R | DSSB-HCC00 |
| 10 | 35 | 115 | DSSB-CRE20-CL-3510R | DSSB-HCC00 |
| 10 | 50 | 150 | DSSB-CRE20-CL-5010R | DSSB-HCC00 |
| 10 | 70 | 150 | DSSB-CRE20-CL-7010R | DSSB-HCC00 |
| 10 | 95 | 200 | DSSB-CRE20-CL-9510R | DSSB-HCC00 |
| 10 | 120 | 200 | DSSB-CRE20-CL-12010R | DSSB-HCC00 |
| 12 | 16 | 115 | DSSB-CRE20-CL-1612R | DSSB-HCC00 |
| 12 | 25 | 115 | DSSB-CRE20-CL-2512R | DSSB-HCC00 |
| 12 | 35 | 115 | DSSB-CRE20-CL-3512R | DSSB-HCC00 |
| 12 | 50 | 150 | DSSB-CRE20-CL-5012R | DSSB-HCC00 |
| 12 | 70 | 150 | DSSB-CRE20-CL-7012R | DSSB-HCC00 |
| 12 | 95 | 200 | DSSB-CRE20-CL-9512R | DSSB-HCC00 |
| 12 | 120 | 200 | DSSB-CRE20-CL-12012R | DSSB-HCC00 |
| 16 | 16 | 115 | DSSB-CRE20-CL-1616R | DSSB-HCC00 |
| 16 | 25 | 115 | DSSB-CRE20-CL-2516R | DSSB-HCC00 |
| 16 | 35 | 115 | DSSB-CRE20-CL-3516R | DSSB-HCC00 |
| 16 | 50 | 150 | DSSB-CRE20-CL-5016R | DSSB-HCC00 |
| 16 | 70 | 200 | DSSB-CRE20-CL-7016R | DSSB-HCC00 |
| 16 | 95 | 200 | DSSB-CRE20-CL-9516R | DSSB-HCC00 |
| 16 | 120 | 200 | DSSB-CRE20-CL-12016R | DSSB-HCC00 |

EXOTHERMIC WELDING

CABLE TO REBAR FULLY WRAPPED CONNECTION CRE20

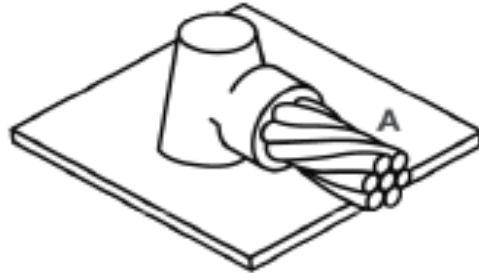


Vertical parallel thru
cable to vertical rebar

| Conductor Size | | Metal Powder (g) | Graphite Mould Type | Handle Clamp Type |
|------------------|------------------|---------------------|----------------------|----------------------|
| Amm ² | Bmm ² | | | |
| 20 | 16 | 150 | DSSB-CRE20-CL-1620R | DSSB-HCC00 |
| 20 | 25 | 150 | DSSB-CRE20-CL-2520R | DSSB-HCC00 |
| 20 | 35 | 150 | DSSB-CRE20-CL-3520R | DSSB-HCC00 |
| 20 | 50 | 200 | DSSB-CRE20-CL-5020R | DSSB-HCC00 |
| 20 | 70 | 200 | DSSB-CRE20-CL-7020R | DSSB-HCC00 |
| 20 | 95 | 250 | DSSB-CRE20-CL-9520R | DSSB-HCC00 |
| 20 | 120 | 250 | DSSB-CRE20-CL-12020R | DSSB-HCC00 |
| 25 | 16 | 150 | DSSB-CRE20-CL-1625R | DSSB-HCC00 |
| 25 | 25 | 150 | DSSB-CRE20-CL-2525R | DSSB-HCC00 |
| 25 | 35 | 200 | DSSB-CRE20-CL-3525R | DSSB-HCC00 |
| 25 | 50 | 200 | DSSB-CRE20-CL-5025R | DSSB-HCC00 |
| 25 | 70 | 250 | DSSB-CRE20-CL-7025R | DSSB-HCC00 |
| 25 | 95 | 250 | DSSB-CRE20-CL-9525R | DSSB-HCC00 |
| 25 | 120 | 250 | DSSB-CRE20-CL-12025R | DSSB-HCC00 |
| 30 | 16 | 200 | DSSB-CRE20-CL-1630R | DSSB-HCC00 |
| 30 | 25 | 200 | DSSB-CRE20-CL-2530R | DSSB-HCC00 |
| 30 | 35 | 200 | DSSB-CRE20-CL-3530R | DSSB-HCC00 |
| 30 | 50 | 250 | DSSB-CRE20-CL-5030R | DSSB-HCC00 |
| 30 | 70 | 250 | DSSB-CRE20-CL-7030R | DSSB-HCC00 |
| 30 | 95 | 250 | DSSB-CRE20-CL-9530R | DSSB-HCC00 |
| 30 | 120 | 250 | DSSB-CRE20-CL-12030R | DSSB-HCC00 |

EXOTHERMIC WELDING

CABLE TO STEEL CS1

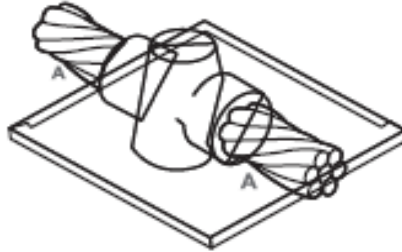


Horizontal cable to horizontal steel surface (off surface)

| Conductor Size Amm ² | Metal Powder (g) | Graphite Mould Type | Handle Clamp Type |
|------------------------------------|------------------|---------------------|-------------------|
| 10 | 45 | DSSB-CS1-A-10 | DSSB-HCA00 |
| 16 | 45 | DSSB-CS1-A-16 | DSSB-HCA00 |
| 25 | 45 | DSSB-CS1-A-25 | DSSB-HCA00 |
| 35 | 45 | DSSB-CS1-A-35 | DSSB-HCA00 |
| ∅8mm | 90 | DSSB-CS1-C-8SC | DSSB-HCC00 |
| 50 | 90 | DSSB-CS1-C-50 | DSSB-HCC00 |
| ∅10mm | 90 | DSSB-CS1-C-10SC | DSSB-HCC00 |
| 70 | 90 | DSSB-CS1-C-70 | DSSB-HCC00 |
| 95 | 115 | DSSB-CS1-C-95 | DSSB-HCC00 |
| 120 | 115 | DSSB-CS1-C-120 | DSSB-HCC00 |
| 150 | 150 | DSSB-CS1-C-150 | DSSB-HCC00 |
| 185 | 200 | DSSB-CS1-C-185 | DSSB-HCC00 |
| 240 | 200 | DSSB-CS1-C-240 | DSSB-HCC00 |
| 300 | 250 | DSSB-CS1-C-300 | DSSB-HCC00 |

EXOTHERMIC WELDING

CABLE TO STEEL CS2

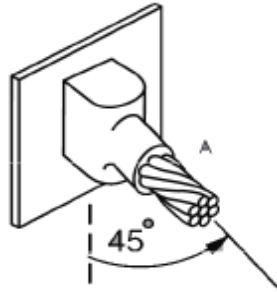


**Horizontal thru cable to
 horizontal steel surface
 (off surface)**

| Conductor Size Amm ² | Metal Powder (g) | Graphite Mould Type | Handle Clamp Type |
|------------------------------------|---------------------|---------------------|----------------------|
| 10 | 45 | DSSB-CS2-A-10 | DSSB-HCA00 |
| 16 | 45 | DSSB-CS2-A-16 | DSSB-HCA00 |
| 25 | 45 | DSSB-CS2-A-25 | DSSB-HCA00 |
| 35 | 45 | DSSB-CS2-A-35 | DSSB-HCA00 |
| Ø8mm | 90 | DSSB-CS2-C-8SC | DSSB-HCC00 |
| 50 | 90 | DSSB-CS2-C-50 | DSSB-HCC00 |
| Ø10mm | 115 | DSSB-CS2-C-10SC | DSSB-HCC00 |
| 70 | 115 | DSSB-CS2-C-70 | DSSB-HCC00 |
| 95 | 115 | DSSB-CS2-C-95 | DSSB-HCC00 |
| 120 | 150 | DSSB-CS2-C-120 | DSSB-HCC00 |
| 150 | 200 | DSSB-CS2-C-150 | DSSB-HCC00 |
| 185 | 250 | DSSB-CS2-C-185 | DSSB-HCC00 |
| 240 | 2X150 | DSSB-CS2-D-240 | DSSB-HCD00 |
| 300 | 2X200 | DSSB-CS2-D-300 | DSSB-HCD00 |

EXOTHERMIC WELDING

CABLE TO STEEL CS3

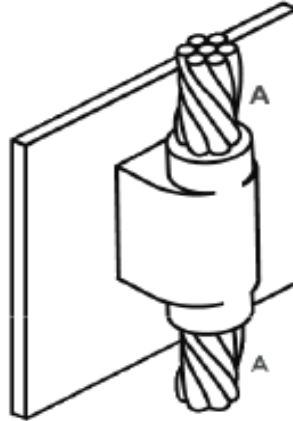


Angular cable drop to vertical steel surface

| Conductor Size | Metal Powder (g) | Graphite Mould Type | Handle Clamp Type |
|------------------|------------------|---------------------|-------------------|
| Amm ² | | | |
| 10 | 45 | DSSB-CS3-C-10 | DSSB-HCC00 |
| 16 | 45 | DSSB-CS3-C-16 | DSSB-HCC00 |
| 25 | 45 | DSSB-CS3-C-25 | DSSB-HCC00 |
| 35 | 45 | DSSB-CS3-C-35 | DSSB-HCC00 |
| ∅8mm | 90 | DSSB-CS3-C-8SC | DSSB-HCC00 |
| 50 | 90 | DSSB-CS3-C-50 | DSSB-HCC00 |
| ∅10mm | 115 | DSSB-CS3-C-10SC | DSSB-HCC00 |
| 70 | 90 | DSSB-CS3-C-70 | DSSB-HCC00 |
| 95 | 115 | DSSB-CS3-C-95 | DSSB-HCC00 |
| 120 | 115 | DSSB-CS3-C-120 | DSSB-HCC00 |
| 150 | 150 | DSSB-CS3-C-150 | DSSB-HCC00 |
| 185 | 250 | DSSB-CS3-C-185 | DSSB-HCC00 |
| 240 | 200 | DSSB-CS3-C-240 | DSSB-HCC00 |
| 300 | 250 | DSSB-CS3-C-300 | DSSB-HCC00 |

EXOTHERMIC WELDING

CABLE TO STEEL CS4

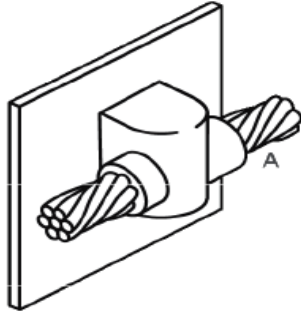


Vertical thru cable to
 vertical steel surface
 (off surface)

| Conductor Size Amm ² | Metal Powder (g) | Graphite Mould Type | Handle Clamp Type |
|------------------------------------|------------------|---------------------|-------------------|
| 25 | 90 | DSSB-CS4-Y-25 | DSSB-HCC00 |
| 35 | 115 | DSSB-CS4-Y-35 | DSSB-HCC00 |
| 50 | 200 | DSSB-CS4-Y-50 | DSSB-HCC00 |
| 70 | 200 | DSSB-CS4-Y-70 | DSSB-HCC00 |
| 95 | 250 | DSSB-CS4-Y-95 | DSSB-HCC00 |
| 120 | 250 | DSSB-CS4-Y-120 | DSSB-HCC00 |
| 150 | 250 | DSSB-CS4-Y-150 | DSSB-HCC00 |

EXOTHERMIC WELDING

CABLE TO STEEL CS6

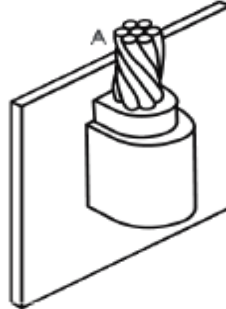


Horizontal thru cable to vertical steel surface (off surface)

| Conductor Size Amm ² | Metal Powder (g) | Graphite Mould Type | Handle Clamp Type |
|------------------------------------|---------------------|---------------------|----------------------|
| 25 | 65 | DSSB-CS6-C-25 | DSSB-HCC00 |
| 35 | 65 | DSSB-CS6-C-35 | DSSB-HCC00 |
| 50 | 115 | DSSB-CS6-C-50 | DSSB-HCC00 |
| 70 | 115 | DSSB-CS6-C-70 | DSSB-HCC00 |
| 95 | 150 | DSSB-CS6-C-95 | DSSB-HCC00 |
| 120 | 150 | DSSB-CS6-C-120 | DSSB-HCC00 |

EXOTHERMIC WELDING

CABLE TO STEEL CS7

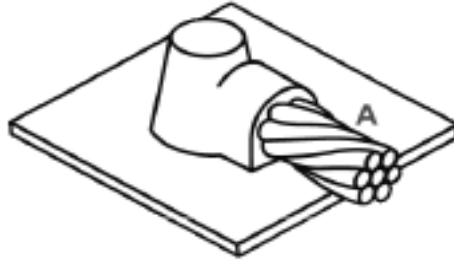


Overhead vertical tap cable
to vertical steel surface
(on surface)

| Conductor Size Amm ² | Metal Powder (g) | Graphite Mould Type | Handle Clamp Type |
|------------------------------------|---------------------|---------------------|----------------------|
| 10 | 65 | DSSB-CS7-C-10 | DSSB-HCC00 |
| 16 | 65 | DSSB-CS7-C-16 | DSSB-HCC00 |
| 25 | 65 | DSSB-CS7-C-25 | DSSB-HCC00 |
| 35 | 65 | DSSB-CS7-C-35 | DSSB-HCC00 |
| Ø8mm | 90 | DSSB-CS7-C-8SC | DSSB-HCC00 |
| 50 | 150 | DSSB-CS7-C-50 | DSSB-HCC00 |
| Ø10mm | 150 | DSSB-CS7-C-10SC | DSSB-HCC00 |
| 70 | 150 | DSSB-CS7-C-70 | DSSB-HCC00 |
| 95 | 200 | DSSB-CS7-D-95 | DSSB-HCD00 |
| 120 | 200 | DSSB-CS7-D-120 | DSSB-HCD00 |
| 150 | 250 | DSSB-CS7-D-150 | DSSB-HCD00 |
| 185 | 150*2 | DSSB-CS7-D-185 | DSSB-HCD00 |
| 240 | 200*2 | DSSB-CS2-D-240 | DSSB-HCD00 |
| 300 | 200*2 | DSSB-CS2-D-300 | DSSB-HCD00 |

EXOTHERMIC WELDING

CABLE TO STEEL CS8

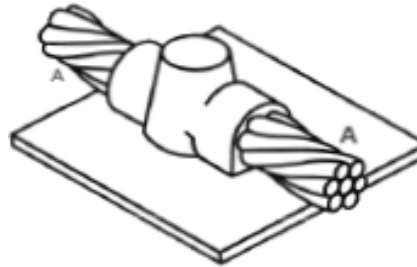


Horizontal cable tap to horizontal rebar

| Conductor Size Amm ² | Metal Powder (g) | Graphite Mould Type | Handle Clamp Type |
|------------------------------------|------------------|---------------------|-------------------|
| 10 | 45 | DSSB-CS8-A-10 | DSSB-HCA00 |
| 16 | 45 | DSSB-CS8-A-16 | DSSB-HCA00 |
| 25 | 45 | DSSB-CS8-A-25 | DSSB-HCA00 |
| 35 | 45 | DSSB-CS8-A-35 | DSSB-HCA00 |
| Ø8mm | 45 | DSSB-CS8-A-8SC | DSSB-HCA00 |
| 50 | 65 | DSSB-CS8-A-50 | DSSB-HCA00 |
| Ø10mm | 65 | DSSB-CS8-A-10SC | DSSB-HCA00 |
| 70 | 90 | DSSB-CS8-C-70 | DSSB-HCC00 |
| 95 | 115 | DSSB-CS8-C-95 | DSSB-HCC00 |
| 120 | 115 | DSSB-CS8-C-120 | DSSB-HCC00 |
| 150 | 150 | DSSB-CS8-C-150 | DSSB-HCC00 |
| 185 | 200 | DSSB-CS8-C-185 | DSSB-HCC00 |
| 240 | 200 | DSSB-CS8-C-240 | DSSB-HCC00 |
| 300 | 250 | DSSB-CS8-C-300 | DSSB-HCC00 |

EXOTHERMIC WELDING

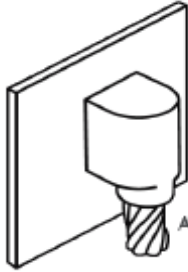
CABLE TO STEEL CS9



**Horizontal thru cable to
horizontal steel surface
(on surface)**

| Conductor Size Amm ² | Metal Powder (g) | Graphite Mould Type | Handle Clamp Type |
|------------------------------------|---------------------|---------------------|----------------------|
| 10 | 45 | DSSB-CS9-A-10 | DSSB-HCA00 |
| 16 | 45 | DSSB-CS9-A-16 | DSSB-HCA00 |
| 25 | 45 | DSSB-CS9-A-25 | DSSB-HCA00 |
| 35 | 45 | DSSB-CS9-A-35 | DSSB-HCA00 |
| Ø8mm | 90 | DSSB-CS9-C-8SC | DSSB-HCC00 |
| 50 | 90 | DSSB-CS9-C-50 | DSSB-HCC00 |
| Ø10mm | 115 | DSSB-CS9-C-10SC | DSSB-HCC00 |
| 70 | 115 | DSSB-CS9-C-70 | DSSB-HCC00 |
| 95 | 115 | DSSB-CS9-C-95 | DSSB-HCC00 |
| 120 | 150 | DSSB-CS9-C-120 | DSSB-HCC00 |
| 150 | 200 | DSSB-CS9-C-150 | DSSB-HCC00 |
| 185 | 250 | DSSB-CS9-C-185 | DSSB-HCC00 |
| 240 | 150*2 | DSSB-CS9-D-240 | DSSB-HCD00 |
| 300 | 200*2 | DSSB-CS9-D-300 | DSSB-HCD00 |

CABLE TO STEEL CS23

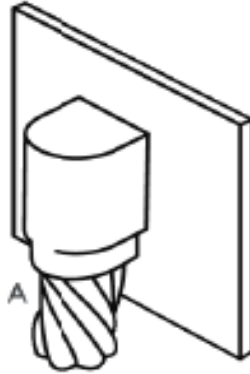


Vertical cable down to
vertical steel surface
(off surface)

| Conductor Size Amm ² | Metal Powder (g) | Graphite Mould Type | Handle Clamp Type |
|------------------------------------|---------------------|---------------------|----------------------|
| 25 | 65 | DSSB-CS23-C-25 | DSSB-HCC00 |
| 35 | 65 | DSSB-CS23-C-35 | DSSB-HCC00 |
| 50 | 115 | DSSB-CS23-C-50 | DSSB-HCC00 |
| 70 | 115 | DSSB-CS23-C-70 | DSSB-HCC00 |
| 95 | 150 | DSSB-CS23-C-95 | DSSB-HCC00 |
| 120 | 200 | DSSB-CS23-C-120 | DSSB-HCC00 |
| 150 | 200 | DSSB-CS23-C-150 | DSSB-HCC00 |
| 185 | 250 | DSSB-CS23-C-185 | DSSB-HCC00 |
| 240 | 150*2 | DSSB-CS23-D-240 | DSSB-HCD00 |

EXOTHERMIC WELDING

CABLE TO STEEL CS25

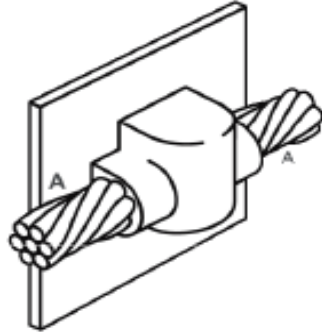


Vertical cable drop to vertical steel surface (on surface)

| Conductor Size Amm ² | Metal Powder (g) | Graphite Mould Type | Handle Clamp Type |
|------------------------------------|---------------------|---------------------|----------------------|
| 10 | 45 | DSSB-CS25-C-10 | DSSB-HCC00 |
| 16 | 45 | DSSB-CS25-C-16 | DSSB-HCC00 |
| 25 | 45 | DSSB-CS25-C-25 | DSSB-HCC00 |
| 35 | 45 | DSSB-CS25-C-35 | DSSB-HCC00 |
| 50 | 65 | DSSB-CS25-C-50 | DSSB-HCC00 |
| 70 | 90 | DSSB-CS25-C-70 | DSSB-HCC00 |
| 95 | 115 | DSSB-CS25-C-95 | DSSB-HCC00 |
| 120 | 115 | DSSB-CS25-C-120 | DSSB-HCC00 |
| 150 | 150 | DSSB-CS25-C-150 | DSSB-HCC00 |
| 185 | 200 | DSSB-CS25-C-185 | DSSB-HCC00 |
| 240 | 200 | DSSB-CS25-C-240 | DSSB-HCC00 |
| 300 | 250 | DSSB-CS25-C-300 | DSSB-HCC00 |

EXOTHERMIC WELDING

CABLE TO STEEL CS27

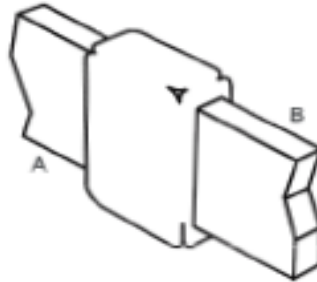


Horizontal thru cable to vertical steel surface (on surface)

| Conductor Size Amm ² | Metal Powder (g) | Graphite Mould Type | Handle Clamp Type |
|------------------------------------|---------------------|---------------------|----------------------|
| 10 | 45 | DSSB-CS27-C-10 | DSSB-HCA00 |
| 16 | 45 | DSSB-CS27-C-16 | DSSB-HCA00 |
| 25 | 45 | DSSB-CS27-C-25 | DSSB-HCA00 |
| 35 | 45 | DSSB-CS27-C-35 | DSSB-HCA00 |
| Ø8mm | 65 | DSSB-CS27-C-8SC | DSSB-HCC00 |
| 50 | 115 | DSSB-CS27-C-50 | DSSB-HCC00 |
| Ø10mm | 115 | DSSB-CS27-C-10SC | DSSB-HCC00 |
| 70 | 115 | DSSB-CS27-C-70 | DSSB-HCC00 |
| 95 | 150 | DSSB-CS27-C-95 | DSSB-HCC00 |
| 120 | 150 | DSSB-CS27-C-120 | DSSB-HCC00 |
| 150 | 200 | DSSB-CS27-C-150 | DSSB-HCC00 |
| 185 | 250 | DSSB-CS27-C-185 | DSSB-HCC00 |
| 240 | 150*2 | DSSB-CS27-D-240 | DSSB-HCD00 |
| 300 | 200*2 | DSSB-CS27-D-300 | DSSB-HCD00 |

EXOTHERMIC WELDING

BUS BAR TO BUS BAR BB1

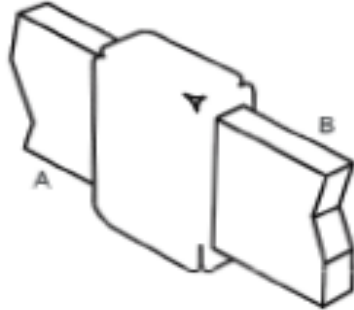


**Horizontal bus bar
 end to end
 (vertical flat side)**

| Conductor Size | Metal Powder | Graphite Mould Type | Handle Clamp Type |
|----------------|--------------|---------------------|-------------------|
| A | (g) | | |
| 20x2 | 45 | DSSB-BB1-C-202 | DSSB-HCC00 |
| 20x3 | 45 | DSSB-BB1-C-203 | DSSB-HCC00 |
| 25x2 | 65 | DSSB-BB1-C-252 | DSSB-HCC00 |
| 25x3 | 65 | DSSB-BB1-C-253 | DSSB-HCC00 |
| 25x4 | 90 | DSSB-BB1-C-254 | DSSB-HCC00 |
| 25x6 | 115 | DSSB-BB1-C-256 | DSSB-HCC00 |
| 30x2 | 65 | DSSB-BB1-C-302 | DSSB-HCC00 |
| 30x3 | 65 | DSSB-BB1-C-303 | DSSB-HCC00 |
| 30x4 | 115 | DSSB-BB1-C-304 | DSSB-HCC00 |
| 30x5 | 115 | DSSB-BB1-C-305 | DSSB-HCC00 |
| 31x3 | 65 | DSSB-BB1-C-313 | DSSB-HCC00 |
| 31x6 | 115 | DSSB-BB1-C-316 | DSSB-HCC00 |
| 38x3 | 150 | DSSB-BB1-C-383 | DSSB-HCC00 |
| 38x5 | 150 | DSSB-BB1-C-385 | DSSB-HCC00 |
| 38x6 | 200 | DSSB-BB1-C-386 | DSSB-HCC00 |

EXOTHERMIC WELDING

BUS BAR TO BUS BAR BB1

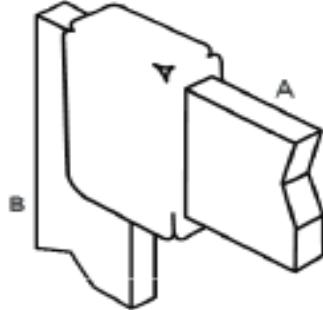


**Horizontal bus bar
 end to end
 (vertical flat side)**

| Conductor Size | Metal Powder (g) | Graphite Mould Type | Handle Clamp Type |
|----------------|------------------|---------------------|-------------------|
| A | | | |
| 40x4 | 150 | DSSB-BB1-C-404 | DSSB-HCC00 |
| 40x5 | 150 | DSSB-BB1-C-405 | DSSB-HCC00 |
| 40x6 | 200 | DSSB-BB1-C-406 | DSSB-HCC00 |
| 50x3 | 90 | DSSB-BB1-C-503 | DSSB-HCC00 |
| 50x4 | 115 | DSSB-BB1-C-504 | DSSB-HCC00 |
| 50x5 | 200 | DSSB-BB1-C-505 | DSSB-HCC00 |
| 50x6 | 250 | DSSB-BB1-C-506 | DSSB-HCC00 |
| 50x8 | 2x150 | DSSB-BB1-C-508 | DSSB-HCD00 |
| 60x6 | 250 | DSSB-BB1-C-606 | DSSB-HCC00 |
| 60x8 | 2x200 | DSSB-BB1-C-608 | DSSB-HCD00 |
| 60x10 | 2x250 | DSSB-BB1-C-610 | DSSB-HCD00 |
| 80x6 | 2x200 | DSSB-BB1-C-806 | DSSB-HCD00 |
| 80x8 | 2x250 | DSSB-BB1-C-808 | DSSB-HCD00 |
| 80x10 | 3x200 | DSSB-BB1-C-810 | DSSB-HCD00 |

EXOTHERMIC WELDING

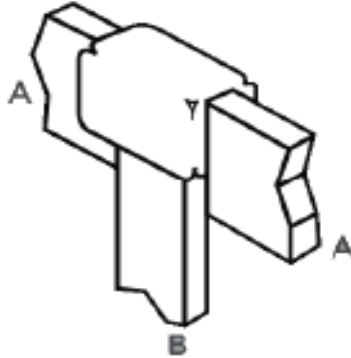
BUS BAR TO BUS BAR BB2



**Horizontal bus bar tap
to vertical bus bar down**

| Conductor Size A | Metal Powder (g) | Graphite Mould Type | Handle Clamp Type |
|----------------------------|----------------------------|---------------------|-----------------------------|
| 25X3 | 65 | DSSB-BB2-C-253 | DSSB-HCC00 |
| 25X5 | 90 | DSSB-BB2-C-254 | DSSB-HCC00 |
| 25X6 | 115 | DSSB-BB2-C-256 | DSSB-HCC00 |
| 25X8 | 150 | DSSB-BB2-C-258 | DSSB-HCC00 |
| 25X12 | 250 | DSSB-BB2-C-2512 | DSSB-HCC00 |
| 31X6 | 150 | DSSB-BB2-C-316 | DSSB-HCC00 |
| 38X3 | 115 | DSSB-BB2-C-383 | DSSB-HCC00 |
| 38X6 | 200 | DSSB-BB2-C-386 | DSSB-HCC00 |
| 38X8 | 250 | DSSB-BB2-C-388 | DSSB-HCC00 |
| 50X3 | 90 | DSSB-BB2-C-503 | DSSB-HCC00 |
| 50X4 | 115 | DSSB-BB2-C-504 | DSSB-HCC00 |
| 50X5 | 200 | DSSB-BB2-C-505 | DSSB-HCC00 |
| 50X6 | 250 | DSSB-BB2-C-506 | DSSB-HCC00 |
| 50X8 | 2X150 | DSSB-BB2-C-508 | DSSB-HCD00 |

BUS BAR TO BUS BAR BB3

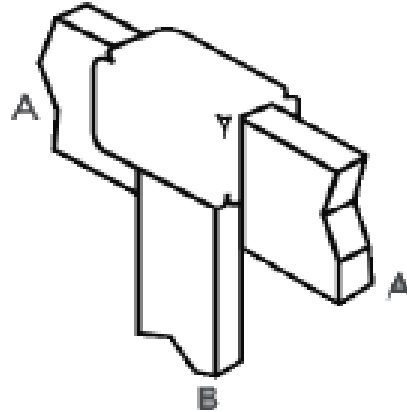


Vertical bus bar drop tap
to horizontal bus run

| Conductor Size | | Metal Powder (g) | Graphite Mould Type | Handle Clamp Type |
|----------------|-----------|------------------|---------------------|-------------------|
| A mm x mm | B mm x mm | | | |
| 20x2 | 20x2 | 45 | DSSB-BB3-C-202202 | DSSB-HCC00 |
| 20x3 | 20x3 | 65 | DSSB-BB3-C-203203 | DSSB-HCC00 |
| 25x2 | 25x2 | 65 | DSSB-BB3-C-252252 | DSSB-HCC00 |
| 25x3 | 25x3 | 65 | DSSB-BB3-C-253253 | DSSB-HCC00 |
| 25x4 | 25x4 | 90 | DSSB-BB3-C-254254 | DSSB-HCC00 |
| 25x6 | 25x6 | 150 | DSSB-BB3-C-256256 | DSSB-HCC00 |
| 30x2 | 30x2 | 65 | DSSB-BB3-C-302302 | DSSB-HCC00 |
| 30x3 | 30x3 | 90 | DSSB-BB3-C-303303 | DSSB-HCC00 |
| 30x4 | 30x4 | 115 | DSSB-BB3-C-304304 | DSSB-HCC00 |
| 31x3 | 31x3 | 115 | DSSB-BB3-C-313313 | DSSB-HCC00 |
| 31x6 | 31x6 | 200 | DSSB-BB3-C-316316 | DSSB-HCC00 |
| 38x3 | 38x3 | 115 | DSSB-BB3-C-383383 | DSSB-HCC00 |
| 38x5 | 38x5 | 150 | DSSB-BB3-C-385385 | DSSB-HCC00 |
| 38x6 | 38x6 | 200 | DSSB-BB3-C-386386 | DSSB-HCC00 |
| 40x3 | 40x3 | 115 | DSSB-BB3-C-403403 | DSSB-HCC00 |
| 40x4 | 40x4 | 150 | DSSB-BB3-C-404404 | DSSB-HCC00 |
| 40x5 | 40x5 | 150 | DSSB-BB3-C-405405 | DSSB-HCC00 |
| 40x6 | 40x6 | 200 | DSSB-BB3-C-406406 | DSSB-HCC00 |

EXOTHERMIC WELDING

BUS BAR TO BUS BAR BB3

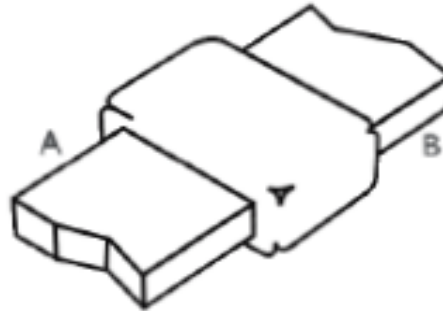


**Vertical bus bar drop tap
to horizontal bus run**

| Conductor Size | | Metal Powder (g) | Graphite Mould Type | Handle Clamp Type |
|----------------|-----------|------------------|---------------------|-------------------|
| A mm x mm | B mm x mm | | | |
| 50x3 | 50x3 | 150 | DSSB-BB3-C-503503 | DSSB-HCC00 |
| 50x4 | 50x4 | 200 | DSSB-BB3-C-504504 | DSSB-HCC00 |
| 50x5 | 50x5 | 200 | DSSB-BB3-C-505505 | DSSB-HCC00 |
| 50x6 | 50x6 | 250 | DSSB-BB3-C-506506 | DSSB-HCC00 |
| 50x8 | 50x8 | 2x150 | DSSB-BB3-D-508508 | DSSB-HCD00 |
| 60x6 | 60x6 | 2x150 | DSSB-BB3-D-606606 | DSSB-HCD00 |
| 60x8 | 60x8 | 2x200 | DSSB-BB3-D-608608 | DSSB-HCD00 |
| 60x10 | 60x10 | 2x250 | DSSB-BB3-D-60106010 | DSSB-HCD00 |
| 80x6 | 80x6 | 2x200 | DSSB-BB3-D-806806 | DSSB-HCD00 |
| 80x8 | 80x8 | 2x250 | DSSB-BB3-D-808808 | DSSB-HCD00 |
| 80x10 | 80x10 | 3x200 | DSSB-BB3-D-80108010 | DSSB-HCD00 |

EXOTHERMIC WELDING

BUS BAR TO BUS BAR BB7



Horizontal flat bus bar
end to end

| Conductor Size | Metal Powder (g) | Graphite Mould Type | Handle Clamp Type |
|----------------|------------------|---------------------|-------------------|
| A | | | |
| 20x2 | 45 | DSSB-BB7-C-202 | DSSB-HCC00 |
| 20x3 | 45 | DSSB-BB7-C-203 | DSSB-HCC00 |
| 20x4 | 65 | DSSB-BB7-C-204 | DSSB-HCC00 |
| 20x5 | 90 | DSSB-BB7-C-205 | DSSB-HCC00 |
| 25x2 | 45 | DSSB-BB7-C-252 | DSSB-HCC00 |
| 25x3 | 65 | DSSB-BB7-C-253 | DSSB-HCC00 |
| 25x4 | 90 | DSSB-BB7-C-254 | DSSB-HCC00 |
| 25x5 | 90 | DSSB-BB7-C-255 | DSSB-HCC00 |
| 25x6 | 115 | DSSB-BB7-C-256 | DSSB-HCC00 |
| 30x2 | 65 | DSSB-BB7-C-302 | DSSB-HCC00 |
| 30x3 | 65 | DSSB-BB7-C-303 | DSSB-HCC00 |
| 30x4 | 90 | DSSB-BB7-C-304 | DSSB-HCC00 |
| 30x5 | 115 | DSSB-BB7-C-305 | DSSB-HCC00 |
| 30x6 | 150 | DSSB-BB7-C-306 | DSSB-HCC00 |
| 31x3 | 65 | DSSB-BB7-C-313 | DSSB-HCC00 |
| 31x6 | 150 | DSSB-BB7-C-316 | DSSB-HCC00 |

EXOTHERMIC WELDING

BUS BAR TO BUS BAR BB7

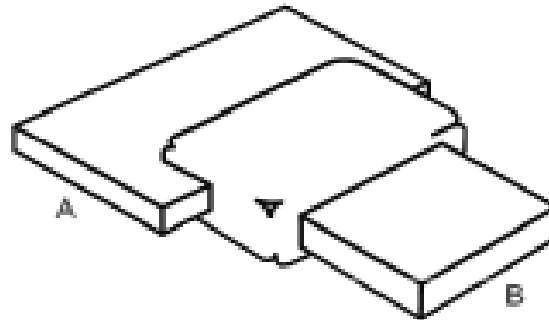


Horizontal flat bus bar
end to end

| Conductor Size | Metal Powder (g) | Graphite Mould Type | Handle Clamp Type |
|----------------|------------------|---------------------|-------------------|
| A | | | |
| 38x3 | 90 | DSSB-BB7-C-383 | DSSB-HCC00 |
| 38x5 | 115 | DSSB-BB7-C-385 | DSSB-HCC00 |
| 38x6 | 200 | DSSB-BB7-C-386 | DSSB-HCC00 |
| 40x3 | 90 | DSSB-BB7-C-403 | DSSB-HCC00 |
| 40x4 | 115 | DSSB-BB7-C-404 | DSSB-HCC00 |
| 40x5 | 150 | DSSB-BB7-C-405 | DSSB-HCC00 |
| 40x6 | 200 | DSSB-BB7-C-406 | DSSB-HCC00 |
| 50x3 | 90 | DSSB-BB7-C-503 | DSSB-HCC00 |
| 50x5 | 200 | DSSB-BB7-D-505 | DSSB-HCD00 |
| 50x6 | 250 | DSSB-BB7-D-506 | DSSB-HCD00 |
| 50x8 | 150*2 | DSSB-BB7-D-508 | DSSB-HCD00 |
| 50x10 | 200*2 | DSSB-BB7-D-510 | DSSB-HCD00 |
| 60x6 | 150*2 | DSSB-BB7-D-606 | DSSB-HCD00 |
| 60x8 | 200*2 | DSSB-BB7-D-608 | DSSB-HCD00 |
| 60x10 | 250*2 | DSSB-BB7-D-610 | DSSB-HCD00 |

EXOTHERMIC WELDING

BUS BAR TO BUS BAR BB14

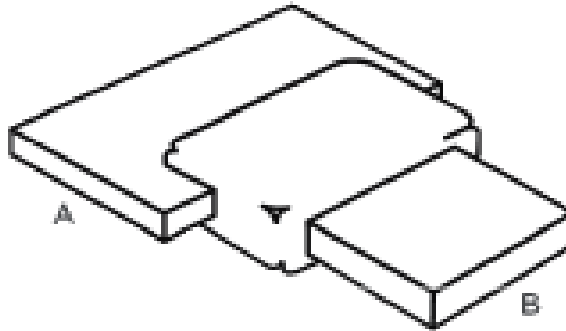


Horizontal flat bus bar
run and tap

| Conductor Size | | Metal Powder (g) | Graphite Mould Type | Handle Clamp Type |
|----------------|-----------|------------------|---------------------|-------------------|
| A mm x mm | B mm x mm | | | |
| 20x2 | 20x2 | 45 | DSSB-BB14-C-202202 | DSSB-HCC00 |
| 20x3 | 20x3 | 45 | DSSB-BB14-C-203203 | DSSB-HCC00 |
| 20x4 | 20x4 | 65 | DSSB-BB14-C-204204 | DSSB-HCC00 |
| 20x5 | 20x5 | 90 | DSSB-BB14-C-205205 | DSSB-HCC00 |
| 25x2 | 25x2 | 45 | DSSB-BB14-C-252252 | DSSB-HCC00 |
| 25x3 | 25x3 | 65 | DSSB-BB14-C-253253 | DSSB-HCC00 |
| 25x4 | 25x4 | 90 | DSSB-BB14-C-254254 | DSSB-HCC00 |
| 25x5 | 25x5 | 90 | DSSB-BB14-C-255255 | DSSB-HCC00 |
| 25x6 | 25x6 | 115 | DSSB-BB14-C-256256 | DSSB-HCC00 |
| 30x2 | 30x2 | 65 | DSSB-BB14-C-302302 | DSSB-HCC00 |
| 30x3 | 30x3 | 65 | DSSB-BB14-C-303303 | DSSB-HCC00 |
| 30x4 | 30x4 | 90 | DSSB-BB14-C-304304 | DSSB-HCC00 |
| 30x5 | 30x5 | 115 | DSSB-BB14-C-305305 | DSSB-HCC00 |
| 31x3 | 31x3 | 90 | DSSB-BB14-C-313313 | DSSB-HCC00 |
| 31x6 | 31x6 | 150 | DSSB-BB14-C-316316 | DSSB-HCC00 |

EXOTHERMIC WELDING

BUS BAR TO BUS BAR BB14

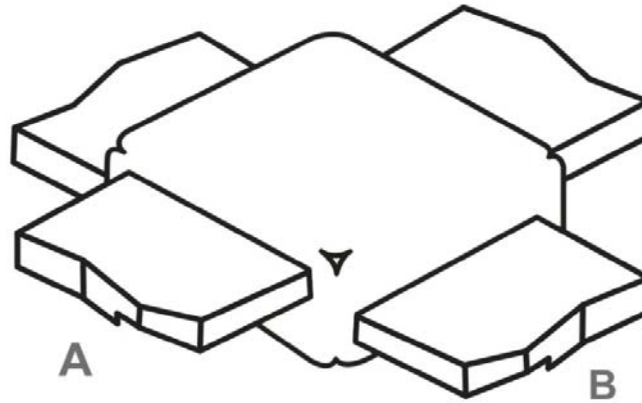


**Horizontal flat bus bar
run and tap**

| Conductor Size | | Metal Powder (g) | Graphite Mould Type | Handle Clamp Type |
|----------------|-----------|------------------|----------------------|-------------------|
| A mm x mm | B mm x mm | | | |
| 38x5 | 38x5 | 150 | DSSB-BB14-C-385385 | DSSB-HCC00 |
| 38x6 | 38x6 | 200 | DSSB-BB14-C-386386 | DSSB-HCC00 |
| 40x3 | 40x3 | 90 | DSSB-BB14-C-403403 | DSSB-HCC00 |
| 40x4 | 40x4 | 115 | DSSB-BB14-C-404404 | DSSB-HCC00 |
| 40x5 | 40x5 | 150 | DSSB-BB14-C-405405 | DSSB-HCC00 |
| 40x6 | 40x6 | 200 | DSSB-BB14-C-406406 | DSSB-HCC00 |
| 50x3 | 50x3 | 150 | DSSB-BB14-C-503503 | DSSB-HCD00 |
| 50x4 | 50x4 | 200 | DSSB-BB14-C-504504 | DSSB-HCD00 |
| 50x5 | 50x5 | 200 | DSSB-BB14-D-505505 | DSSB-HCD00 |
| 50x6 | 50x6 | 250 | DSSB-BB14-D-506506 | DSSB-HCD00 |
| 50x8 | 50x8 | 2X150 | DSSB-BB14-D-508508 | DSSB-HCD00 |
| 60x6 | 60x6 | 2X150 | DSSB-BB14-D-606606 | DSSB-HCD00 |
| 60x8 | 60x8 | 2X200 | DSSB-BB14-D-608608 | DSSB-HCD00 |
| 60x10 | 60x10 | 2X250 | DSSB-BB14-D-60106010 | DSSB-HCD00 |

EXOTHERMIC WELDING

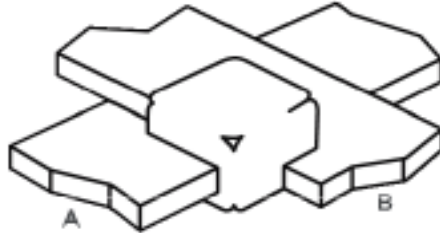
BUS BAR TO BUS BAR BB40



| Conductor Size | | Metal Powder (g) | Graphite Mould Type | Handle Clamp Type |
|----------------|-------|------------------|-----------------------|-------------------|
| A | B | | | |
| 20x2 | 20x2 | 65 | DSSB-BB40-C-202202 | DSSB-HCC00 |
| 20x3 | 20x3 | 90 | DSSB-BB40-C-203203 | DSSB-HCC00 |
| 20x5 | 20x5 | 115 | DSSB-BB40-C-205205 | DSSB-HCC00 |
| 25x2 | 25x2 | 90 | DSSB-BB40-C-252252 | DSSB-HCC00 |
| 25x3 | 25x3 | 90 | DSSB-BB40-C-253253 | DSSB-HCC00 |
| 25x4 | 25x4 | 115 | DSSB-BB40-C-254254 | DSSB-HCC00 |
| 25x5 | 25x5 | 150 | DSSB-BB40-C-255255 | DSSB-HCC00 |
| 25x6 | 25x6 | 150 | DSSB-BB40-C-256256 | DSSB-HCC00 |
| 25x8 | 25x8 | 200 | DSSB-BB40-C-258258 | DSSB-HCC00 |
| 25x12 | 25x12 | 200 | DSSB-BB40-C-25122512 | DSSB-HCC00 |
| 30x2 | 30x2 | 150 | DSSB-BB40-C-302302 | DSSB-HCC00 |
| 30x3 | 30x3 | 200 | DSSB-BB40-C-303303 | DSSB-HCC00 |
| 30x4 | 30x4 | 200 | DSSB-BB40-C-304304 | DSSB-HCC00 |
| 30x5 | 30x5 | 250 | DSSB-BB40-C-305305 | DSSB-HCC00 |
| 30x6 | 30x6 | 150X2 | DSSB-BB40-C-306306 | DSSB-HCC00 |
| 31x3 | 31x3 | 200 | DSSB-BB40-C-313313 | DSSB-HCC00 |
| 31x6 | 31x6 | 250 | DSSB-BB40-C-316316 | DSSB-HCC00 |
| 36x5 | 36x5 | 150X2 | DSSB-BB40-C-365365 | DSSB-HCC00 |
| 36x5 | 50x4 | 250X2 | DSSB-BB40-C-365504 | DSSB-HCD00 |
| 38x3 | 38x3 | 250 | DSSB-BB40-C-383385 | DSSB-HCD00 |
| 38x5 | 38x5 | 2X150 | DSSB-BB40-C-385385 | DSSB-HCD00 |
| 38x6 | 38x6 | 2X150 | DSSB-BB40-C-386386 | DSSB-HCD00 |
| 40x3 | 40x3 | 2X200 | DSSB-BB40-C-403403 | DSSB-HCD00 |
| 40x4 | 40x4 | 2X200 | DSSB-BB40-C-404404 | DSSB-HCD00 |
| 40x5 | 40x5 | 2X200 | DSSB-BB40-C-405405 | DSSB-HCD00 |
| 40x6 | 40x6 | 2X200 | DSSB-BB40-C-406406 | DSSB-HCD00 |
| 50x3 | 50x3 | 2X200 | DSSB-BB40-C-503503 | DSSB-HCD00 |
| 50x4 | 50x4 | 2X250 | DSSB-BB40-C-504504 | DSSB-HCD00 |
| 50x5 | 50x5 | 2X250 | DSSB-BB14-D-505505 | DSSB-HCD00 |
| 50x6 | 50x6 | 2X250 | DSSB-BB14-D-506506 | DSSB-HCD00 |
| 50x8 | 50x8 | 2X250 | DSSB-BB14-D-508508 | DSSB-HCD00 |
| 50x10 | 50x10 | 4X250 | DSSB-BB14-DR-50105010 | DSSB-HCD00 |
| 60x6 | 60x6 | 4X200 | DSSB-BB14-DR-606606 | DSSB-HCD00 |
| 60x8 | 60x8 | 4X250 | DSSB-BB14-DR-608608 | DSSB-HCD00 |
| 60x10 | 60x10 | 5X250 | DSSB-BB14-DR-60106010 | DSSB-HCD00 |

EXOTHERMIC WELDING

BUS BAR TO BUS BAR BB41

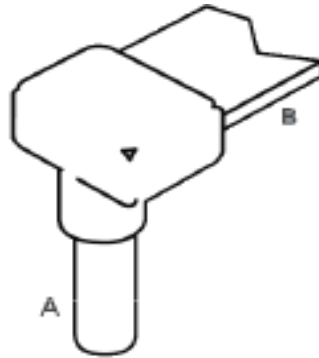


**Horizontal flat bus bar
cross**

| Conductor Size | | Metal Powder (g) | Graphite Mould Type | Handle Clamp Type |
|----------------|-----------|------------------|---------------------|-------------------|
| A mm x mm | B mm x mm | | | |
| 20x3 | 20x3 | 65 | DSSB-BB41-C-203203 | DSSB-HCC00 |
| 25x3 | 25x3 | 65 | DSSB-BB41-C-253253 | DSSB-HCC00 |
| 25x4 | 25x4 | 90 | DSSB-BB41-C-254254 | DSSB-HCC00 |
| 25x6 | 25x6 | 115 | DSSB-BB41-C-256256 | DSSB-HCC00 |
| 30x2 | 30x2 | 90 | DSSB-BB41-C-302302 | DSSB-HCC00 |
| 30x3 | 30x3 | 115 | DSSB-BB41-C-303303 | DSSB-HCC00 |
| 30x4 | 30x4 | 115 | DSSB-BB41-C-304304 | DSSB-HCC00 |
| 30x5 | 30x5 | 115 | DSSB-BB41-C-305305 | DSSB-HCC00 |
| 31x3 | 31x3 | 115 | DSSB-BB41-C-313313 | DSSB-HCC00 |
| 31x6 | 31x6 | 115 | DSSB-BB41-C-316316 | DSSB-HCC00 |
| 38x3 | 38x3 | 150 | DSSB-BB41-C-383383 | DSSB-HCC00 |
| 38x5 | 38x5 | 150 | DSSB-BB41-C-385385 | DSSB-HCC00 |
| 38x6 | 38x6 | 200 | DSSB-BB41-C-386386 | DSSB-HCC00 |
| 40x3 | 40x3 | 150 | DSSB-BB41-C-403403 | DSSB-HCC00 |
| 40x4 | 40x4 | 200 | DSSB-BB41-C-404404 | DSSB-HCC00 |
| 40x5 | 40x5 | 200 | DSSB-BB41-C-405405 | DSSB-HCC00 |
| 40x6 | 40x6 | 300 | DSSB-BB41-C-406406 | DSSB-HCC00 |
| 50x3 | 50x3 | 200 | DSSB-BB41-D-503503 | DSSB-HCD00 |
| 50x4 | 50x4 | 200 | DSSB-BB41-D-504504 | DSSB-HCD00 |
| 50x5 | 50x5 | 200 | DSSB-BB41-D-505505 | DSSB-HCD00 |
| 50x6 | 50x6 | 200 | DSSB-BB41-D-506506 | DSSB-HCD00 |

EXOTHERMIC WELDING

BUS BAR TO GROUND ROD BR1

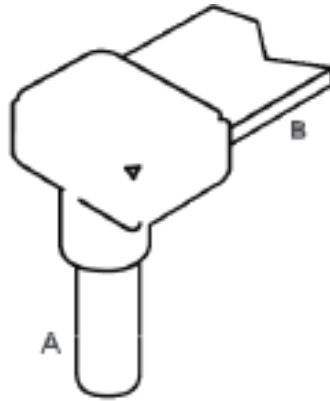


Horizontal bus end to ground rod

| A mean (mm) | A inch | B mm x mm | Metal Powder (g) | Graphite Mould Type | Handle Clamp Type |
|-------------|--------|-----------|------------------|---------------------|-------------------|
| 12.7 | 1/2 | 20x2 | 65 | DSSB-BR1-C-127202 | DSSB-HCC00 |
| 12.7 | 1/2 | 20x3 | 90 | DSSB-BR1-C-127203 | DSSB-HCC00 |
| 12.7 | 1/2 | 20x4 | 90 | DSSB-BR1-C-127204 | DSSB-HCC00 |
| 12.7 | 1/2 | 25x2 | 65 | DSSB-BR1-C-127252 | DSSB-HCC00 |
| 12.7 | 1/2 | 25x3 | 90 | DSSB-BR1-C-127253 | DSSB-HCC00 |
| 12.7 | 1/2 | 25x4 | 90 | DSSB-BR1-C-127254 | DSSB-HCC00 |
| 12.7 | 1/2 | 30x2 | 90 | DSSB-BR1-C-127302 | DSSB-HCC00 |
| 12.7 | 1/2 | 30x3 | 90 | DSSB-BR1-C-127303 | DSSB-HCC00 |
| 12.7 | 1/2 | 40x3 | 90 | DSSB-BR1-C-127403 | DSSB-HCC00 |
| 12.7 | 1/2 | 50x3 | 115 | DSSB-BR1-C-127503 | DSSB-HCC00 |
| 16 | 5/8 | 20x3 | 90 | DSSB-BR1-C-16203 | DSSB-HCC00 |
| 16 | 5/8 | 20x4 | 90 | DSSB-BR1-C-16204 | DSSB-HCC00 |
| 16 | 5/8 | 25x3 | 90 | DSSB-BR1-C-16253 | DSSB-HCC00 |
| 16 | 5/8 | 25x4 | 115 | DSSB-BR1-C-16254 | DSSB-HCC00 |
| 16 | 5/8 | 25x5 | 115 | DSSB-BR1-C-16255 | DSSB-HCC00 |
| 16 | 5/8 | 25x6 | 115 | DSSB-BR1-C-16256 | DSSB-HCC00 |
| 16 | 5/8 | 30x2 | 115 | DSSB-BR1-C-16302 | DSSB-HCC00 |
| 16 | 5/8 | 30x3 | 115 | DSSB-BR1-C-16303 | DSSB-HCC00 |
| 16 | 5/8 | 30x5 | 150 | DSSB-BR1-C-16304 | DSSB-HCC00 |
| 16 | 5/8 | 30x6 | 150 | DSSB-BR1-C-16305 | DSSB-HCC00 |
| 16 | 5/8 | 31x3 | 115 | DSSB-BR1-C-16313 | DSSB-HCC00 |
| 16 | 5/8 | 31x6 | 150 | DSSB-BR1-C-16316 | DSSB-HCC00 |
| 16 | 5/8 | 38x3 | 115 | DSSB-BR1-C-16383 | DSSB-HCC00 |
| 16 | 5/8 | 38x5 | 150 | DSSB-BR1-C-16385 | DSSB-HCC00 |
| 16 | 5/8 | 38x6 | 200 | DSSB-BR1-C-16386 | DSSB-HCC00 |
| 16 | 5/8 | 40x3 | 115 | DSSB-BR1-C-16403 | DSSB-HCC00 |
| 16 | 5/8 | 40x4 | 150 | DSSB-BR1-C-16404 | DSSB-HCC00 |
| 16 | 5/8 | 40x5 | 150 | DSSB-BR1-C-16405 | DSSB-HCC00 |

EXOTHERMIC WELDING

BUS BAR TO GROUND ROD BR1

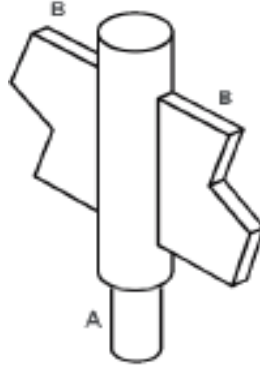


**Horizontal bus end
to ground rod**

| A mean (mm) | A inch | B mm ² | Metal Powder (g) | Graphite Mould Type | Handle Clamp Type |
|-------------------|-----------|----------------------|------------------|------------------------|-------------------------|
| 16 | 5/8 | 40x6 | 200 | DSSB-BR1-C-16406 | DSSB-HCC00 |
| 16 | 5/8 | 50x3 | 150 | DSSB-BR1-C-16503 | DSSB-HCC00 |
| 16 | 5/8 | 50x4 | 200 | DSSB-BR1-C-16504 | DSSB-HCC00 |
| 16 | 5/8 | 50x5 | 200 | DSSB-BR1-C-16505 | DSSB-HCC00 |
| 16 | 5/8 | 50x6 | 200 | DSSB-BR1-C-16506 | DSSB-HCC00 |
| 19 | 3/4 | 20x3 | 115 | DSSB-BR1-C-19203 | DSSB-HCC00 |
| 19 | 3/4 | 20x4 | 150 | DSSB-BR1-C-19204 | DSSB-HCC00 |
| 19 | 3/4 | 25x3 | 150 | DSSB-BR1-C-19253 | DSSB-HCC00 |
| 19 | 3/4 | 25x4 | 150 | DSSB-BR1-C-19254 | DSSB-HCC00 |
| 19 | 3/4 | 25x5 | 150 | DSSB-BR1-C-19255 | DSSB-HCC00 |
| 19 | 3/4 | 25x6 | 200 | DSSB-BR1-C-19256 | DSSB-HCC00 |
| 19 | 3/4 | 30x2 | 150 | DSSB-BR1-C-19302 | DSSB-HCC00 |
| 19 | 3/4 | 30x3 | 150 | DSSB-BR1-C-19303 | DSSB-HCC00 |
| 19 | 3/4 | 30x5 | 200 | DSSB-BR1-C-19305 | DSSB-HCC00 |
| 19 | 3/4 | 30x6 | 250 | DSSB-BR1-C-19306 | DSSB-HCC00 |
| 19 | 3/4 | 31x3 | 150 | DSSB-BR1-C-19313 | DSSB-HCC00 |
| 19 | 3/4 | 31x6 | 250 | DSSB-BR1-C-19316 | DSSB-HCC00 |
| 19 | 3/4 | 38x3 | 200 | DSSB-BR1-C-19383 | DSSB-HCC00 |
| 19 | 3/4 | 38x5 | 200 | DSSB-BR1-C-19385 | DSSB-HCC00 |
| 19 | 3/4 | 38x6 | 150*2 | DSSB-BR1-D-19386 | DSSB-HCD00 |
| 19 | 3/4 | 40x3 | 200 | DSSB-BR1-C-19403 | DSSB-HCC00 |
| 19 | 3/4 | 40x4 | 200 | DSSB-BR1-C-19404 | DSSB-HCC00 |
| 19 | 3/4 | 40x5 | 150*2 | DSSB-BR1-D-19405 | DSSB-HCD00 |
| 19 | 3/4 | 40x6 | 150*2 | DSSB-BR1-D-19406 | DSSB-HCD00 |
| 19 | 3/4 | 50x3 | 150*2 | DSSB-BR1-D-19503 | DSSB-HCD00 |
| 19 | 3/4 | 50x4 | 150*2 | DSSB-BR1-D-19504 | DSSB-HCD00 |
| 19 | 3/4 | 50x5 | 150*2 | DSSB-BR1-D-19505 | DSSB-HCD00 |
| 19 | 3/4 | 50x6 | 200*2 | DSSB-BR1-D-19506 | DSSB-HCD00 |

EXOTHERMIC WELDING

BUS BAR TO GROUND ROD BR2

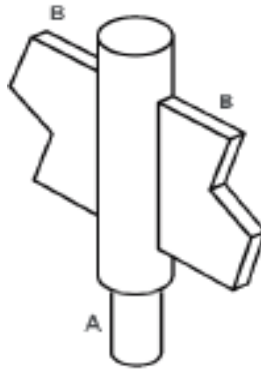


Angular cable drop to vertical pipe

| A mean (mm) | A inch | B mm x mm | Metal Powder (g) | Graphite Mould Type | Handle Clamp Type |
|-------------|--------|-----------|------------------|---------------------|-------------------|
| 12.7 | 1/2 | 20x2 | 65 | DSSB-BR2-C-127202 | DSSB-HCC00 |
| 12.7 | 1/2 | 20x3 | 90 | DSSB-BR2-C-127203 | DSSB-HCC00 |
| 12.7 | 1/2 | 20x4 | 90 | DSSB-BR2-C-127204 | DSSB-HCC00 |
| 12.7 | 1/2 | 25x2 | 65 | DSSB-BR2-C-127252 | DSSB-HCC00 |
| 12.7 | 1/2 | 25x3 | 90 | DSSB-BR2-C-127253 | DSSB-HCC00 |
| 12.7 | 1/2 | 25x4 | 90 | DSSB-BR2-C-127254 | DSSB-HCC00 |
| 12.7 | 1/2 | 30x2 | 90 | DSSB-BR2-C-127302 | DSSB-HCC00 |
| 12.7 | 1/2 | 30x3 | 90 | DSSB-BR2-C-127303 | DSSB-HCC00 |
| 12.7 | 1/2 | 40x3 | 90 | DSSB-BR2-C-127403 | DSSB-HCC00 |
| 12.7 | 1/2 | 50x3 | 115 | DSSB-BR2-C-127503 | DSSB-HCC00 |
| 16 | 5/8 | 20x3 | 90 | DSSB-BR2-C-16203 | DSSB-HCC00 |
| 16 | 5/8 | 20x4 | 90 | DSSB-BR2-C-16204 | DSSB-HCC00 |
| 16 | 5/8 | 25x3 | 90 | DSSB-BR2-C-16253 | DSSB-HCC00 |
| 16 | 5/8 | 25x4 | 115 | DSSB-BR2-C-16254 | DSSB-HCC00 |
| 16 | 5/8 | 25x5 | 115 | DSSB-BR2-C-16255 | DSSB-HCC00 |
| 16 | 5/8 | 25x6 | 150 | DSSB-BR2-C-16256 | DSSB-HCC00 |
| 16 | 5/8 | 30x2 | 90 | DSSB-BR2-C-16302 | DSSB-HCC00 |
| 16 | 5/8 | 30x3 | 115 | DSSB-BR2-C-16303 | DSSB-HCC00 |
| 16 | 5/8 | 30x5 | 150 | DSSB-BR2-C-16304 | DSSB-HCC00 |
| 16 | 5/8 | 30x6 | 150 | DSSB-BR2-C-16305 | DSSB-HCC00 |
| 16 | 5/8 | 31x3 | 115 | DSSB-BR2-C-16313 | DSSB-HCC00 |
| 16 | 5/8 | 31x6 | 150 | DSSB-BR2-C-16316 | DSSB-HCC00 |
| 16 | 5/8 | 38x3 | 150 | DSSB-BR2-C-16383 | DSSB-HCC00 |
| 16 | 5/8 | 38x5 | 150 | DSSB-BR2-C-16385 | DSSB-HCC00 |
| 16 | 5/8 | 38x6 | 200 | DSSB-BR2-C-16386 | DSSB-HCC00 |
| 16 | 5/8 | 40x3 | 150 | DSSB-BR2-C-16403 | DSSB-HCC00 |
| 16 | 5/8 | 40x4 | 150 | DSSB-BR2-C-16404 | DSSB-HCC00 |
| 16 | 5/8 | 40x5 | 150 | DSSB-BR2-C-16405 | DSSB-HCC00 |
| 16 | 5/8 | 40x6 | 200 | DSSB-BR2-C-16406 | DSSB-HCC00 |
| 16 | 5/8 | 50x3 | 200 | DSSB-BR2-C-16503 | DSSB-HCC00 |

EXOTHERMIC WELDING

BUS BAR TO GROUND ROD BR2

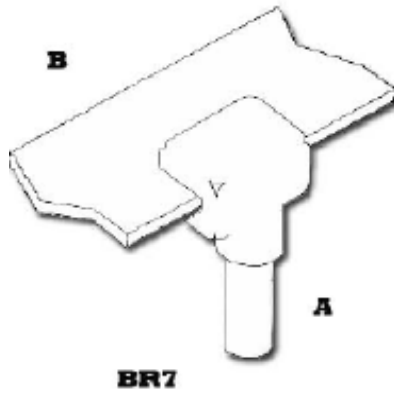


Angular cable drop to vertical pipe

| A mean (mm) | A inch | B mm ² | Metal Powder (g) | Graphite Mould Type | Handle Clamp Type |
|-------------|--------|-------------------|------------------|---------------------|-------------------|
| 16 | 5/8 | 50x4 | 200 | DSSB-BR2-C-16504 | DSSB-HCC00 |
| 16 | 5/8 | 50x5 | 200 | DSSB-BR2-C-16505 | DSSB-HCC00 |
| 16 | 5/8 | 50x6 | 250 | DSSB-BR2-C-16506 | DSSB-HCC00 |
| 19 | 3/4 | 20x3 | 150 | DSSB-BR2-C-19203 | DSSB-HCC00 |
| 19 | 3/4 | 20x4 | 150 | DSSB-BR2-C-19204 | DSSB-HCC00 |
| 19 | 3/4 | 25x3 | 150 | DSSB-BR2-C-19253 | DSSB-HCC00 |
| 19 | 3/4 | 25x4 | 200 | DSSB-BR2-C-19254 | DSSB-HCC00 |
| 19 | 3/4 | 25x5 | 150 | DSSB-BR2-C-19255 | DSSB-HCC00 |
| 19 | 3/4 | 25x6 | 200 | DSSB-BR2-C-19256 | DSSB-HCC00 |
| 19 | 3/4 | 30x2 | 150 | DSSB-BR2-C-19302 | DSSB-HCC00 |
| 19 | 3/4 | 30x3 | 150 | DSSB-BR2-C-19303 | DSSB-HCC00 |
| 19 | 3/4 | 30x5 | 200 | DSSB-BR2-C-19305 | DSSB-HCC00 |
| 19 | 3/4 | 30x6 | 250 | DSSB-BR2-C-19306 | DSSB-HCC00 |
| 19 | 3/4 | 31x3 | 200 | DSSB-BR2-C-19313 | DSSB-HCC00 |
| 19 | 3/4 | 31x6 | 250 | DSSB-BR2-C-19316 | DSSB-HCC00 |
| 19 | 3/4 | 38x3 | 200 | DSSB-BR2-C-19383 | DSSB-HCC00 |
| 19 | 3/4 | 38x5 | 200 | DSSB-BR2-C-19385 | DSSB-HCC00 |
| 19 | 3/4 | 38x6 | 250 | DSSB-BR2-C-19386 | DSSB-HCC00 |
| 19 | 3/4 | 40x3 | 200 | DSSB-BR2-C-19403 | DSSB-HCC00 |
| 19 | 3/4 | 40x4 | 200 | DSSB-BR2-C-19404 | DSSB-HCC00 |
| 19 | 3/4 | 40x5 | 200 | DSSB-BR2-C-19405 | DSSB-HCC00 |
| 19 | 3/4 | 40x6 | 250 | DSSB-BR2-C-19406 | DSSB-HCC00 |
| 19 | 3/4 | 50x3 | 150*2 | DSSB-BR2-D-19503 | DSSB-HCD00 |
| 19 | 3/4 | 50x4 | 150*2 | DSSB-BR2-D-19504 | DSSB-HCD00 |
| 19 | 3/4 | 50x5 | 150*2 | DSSB-BR2-D-19505 | DSSB-HCD00 |
| 19 | 3/4 | 50x6 | 200*2 | DSSB-BR2-D-19506 | DSSB-HCD00 |

EXOTHERMIC WELDING

BUS BAR TO GROUND ROD BR7

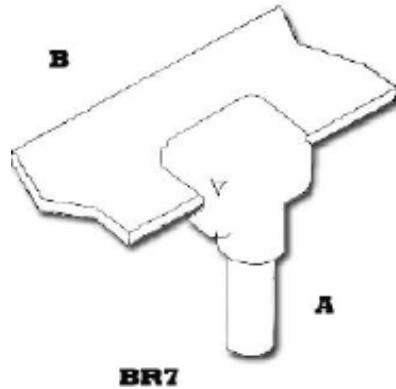


Horizontal Flat Bar
Thru to Ground Rod

| A mean (mm) | A inch | B mm x mm | Metal Powder (g) | Graphite Mould Type | Handle Clamp Type |
|----------------|-----------|--------------|------------------|---------------------|----------------------|
| 12.7 | 1/2 | 20x2 | 65 | DSSB-BR7-C-127202 | DSSB-HCC00 |
| 12.7 | 1/2 | 20x3 | 90 | DSSB-BR7-C-127203 | DSSB-HCC00 |
| 12.7 | 1/2 | 20x4 | 90 | DSSB-BR7-C-127204 | DSSB-HCC00 |
| 12.7 | 1/2 | 25x2 | 65 | DSSB-BR7-C-127252 | DSSB-HCC00 |
| 12.7 | 1/2 | 25x3 | 65 | DSSB-BR7-C-127253 | DSSB-HCC00 |
| 12.7 | 1/2 | 25x4 | 90 | DSSB-BR7-C-127254 | DSSB-HCC00 |
| 12.7 | 1/2 | 30x2 | 65 | DSSB-BR7-C-127302 | DSSB-HCC00 |
| 12.7 | 1/2 | 30x3 | 65 | DSSB-BR7-C-127303 | DSSB-HCC00 |
| 12.7 | 1/2 | 40x3 | 65 | DSSB-BR7-C-127403 | DSSB-HCC00 |
| 12.7 | 1/2 | 50x3 | 65 | DSSB-BR7-C-127503 | DSSB-HCC00 |
| 16 | 5/8 | 20x3 | 90 | DSSB-BR7-C-16203 | DSSB-HCC00 |
| 16 | 5/8 | 20x4 | 115 | DSSB-BR7-C-16204 | DSSB-HCC00 |
| 16 | 5/8 | 25x3 | 90 | DSSB-BR7-C-16253 | DSSB-HCC00 |
| 16 | 5/8 | 25x4 | 115 | DSSB-BR7-C-16254 | DSSB-HCC00 |
| 16 | 5/8 | 25x5 | 150 | DSSB-BR7-C-16255 | DSSB-HCC00 |
| 16 | 5/8 | 25x6 | 150 | DSSB-BR7-C-16256 | DSSB-HCC00 |
| 16 | 5/8 | 30x2 | 90 | DSSB-BR7-C-16302 | DSSB-HCC00 |
| 16 | 5/8 | 30x3 | 90 | DSSB-BR7-C-16303 | DSSB-HCC00 |
| 16 | 5/8 | 30x5 | 150 | DSSB-BR7-C-16304 | DSSB-HCC00 |
| 16 | 5/8 | 30x6 | 150 | DSSB-BR7-C-16305 | DSSB-HCC00 |

EXOTHERMIC WELDING

BUS BAR TO GROUND ROD BR7



Horizontal Flat Bar
Thru to Ground Rod

| A mean (mm) | A inch | B mm x mm | Metal Powder (g) | Graphite Mould Type | Handle Clamp Type |
|----------------|-----------|--------------|------------------|---------------------|----------------------|
| 16 | 5/8 | 40x3 | 90 | DSSB-BR7-C-16403 | DSSB-HCC00 |
| 16 | 5/8 | 40x5 | 150 | DSSB-BR7-C-16405 | DSSB-HCC00 |
| 16 | 5/8 | 40x6 | 150 | DSSB-BR7-C-16406 | DSSB-HCC00 |
| 16 | 5/8 | 50x3 | 90 | DSSB-BR7-C-16503 | DSSB-HCC00 |
| 16 | 5/8 | 50x5 | 150 | DSSB-BR7-C-16505 | DSSB-HCC00 |
| 16 | 5/8 | 50x6 | 150 | DSSB-BR7-C-16506 | DSSB-HCC00 |
| 19 | 3/4 | 20x3 | 115 | DSSB-BR7-C-19203 | DSSB-HCC00 |
| 19 | 3/4 | 20x4 | 115 | DSSB-BR7-C-19204 | DSSB-HCC00 |
| 19 | 3/4 | 25x3 | 115 | DSSB-BR7-C-19253 | DSSB-HCC00 |
| 19 | 3/4 | 25x4 | 150 | DSSB-BR7-C-19254 | DSSB-HCC00 |
| 19 | 3/4 | 25x6 | 200 | DSSB-BR7-C-19256 | DSSB-HCC00 |
| 19 | 3/4 | 30x2 | 115 | DSSB-BR7-C-19302 | DSSB-HCC00 |
| 19 | 3/4 | 30x3 | 115 | DSSB-BR7-C-19303 | DSSB-HCC00 |
| 19 | 3/4 | 30x6 | 200 | DSSB-BR7-C-19306 | DSSB-HCC00 |
| 19 | 3/4 | 40x3 | 115 | DSSB-BR7-C-19403 | DSSB-HCC00 |
| 19 | 3/4 | 40x5 | 200 | DSSB-BR7-C-19405 | DSSB-HCC00 |
| 19 | 3/4 | 40x6 | 200 | DSSB-BR7-C-19406 | DSSB-HCC00 |
| 19 | 3/4 | 50x3 | 115 | DSSB-BR7-C-19503 | DSSB-HCC00 |
| 19 | 3/4 | 50x5 | 200 | DSSB-BR7-C-19505 | DSSB-HCC00 |
| 19 | 3/4 | 50x6 | 200 | DSSB-BR7-C-19506 | DSSB-HCC00 |

EXOTHERMIC WELDING

BUS BAR TO STEEL SURFACE BS1

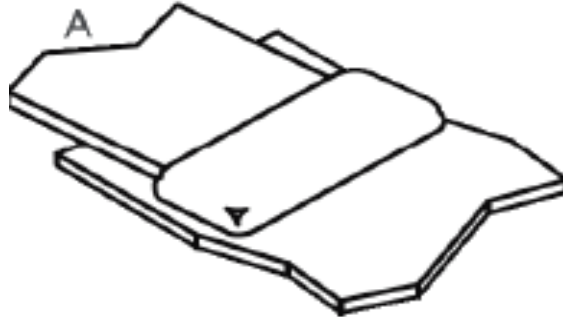


Vertical bus bar tap
to vertical steel surface

| A | Metal Powder (g) | Graphite Mould Type | Handle Clamp Type |
|-------|------------------|---------------------|-------------------|
| 20x2 | 65 | DSSB-BS1-C-202 | DSSB-HCC00 |
| 20x3 | 65 | DSSB-BS1-C-203 | DSSB-HCC00 |
| 25x2 | 90 | DSSB-BS1-C-252 | DSSB-HCC00 |
| 25x3 | 90 | DSSB-BS1-C-253 | DSSB-HCC00 |
| 25x4 | 90 | DSSB-BS1-C-254 | DSSB-HCC00 |
| 25x6 | 150 | DSSB-BS1-C-256 | DSSB-HCC00 |
| 30x2 | 90 | DSSB-BS1-C-302 | DSSB-HCC00 |
| 30x3 | 90 | DSSB-BS1-C-303 | DSSB-HCC00 |
| 30x4 | 115 | DSSB-BS1-C-304 | DSSB-HCC00 |
| 30x5 | 150 | DSSB-BS1-C-305 | DSSB-HCC00 |
| 31x3 | 90 | DSSB-BS1-C-313 | DSSB-HCC00 |
| 31x6 | 200 | DSSB-BS1-C-316 | DSSB-HCC00 |
| 38x3 | 150 | DSSB-BS1-C-383 | DSSB-HCC00 |
| 38x5 | 200 | DSSB-BS1-C-385 | DSSB-HCC00 |
| 38x6 | 250 | DSSB-BS1-C-386 | DSSB-HCC00 |
| 40x3 | 150 | DSSB-BS1-C-403 | DSSB-HCC00 |
| 40x4 | 200 | DSSB-BS1-C-404 | DSSB-HCC00 |
| 40x5 | 200 | DSSB-BS1-C-405 | DSSB-HCC00 |
| 40x6 | 250 | DSSB-BS1-C-406 | DSSB-HCC00 |
| 50x3 | 200 | DSSB-BS1-C-503 | DSSB-HCC00 |
| 50x4 | 250 | DSSB-BS1-C-504 | DSSB-HCC00 |
| 50x5 | 250 | DSSB-BS1-C-505 | DSSB-HCC00 |
| 50x6 | 150*2 | DSSB-BS1-D-506 | DSSB-HCD00 |
| 50x8 | 200*2 | DSSB-BS1-D-508 | DSSB-HCD00 |
| 60x6 | 200*2 | DSSB-BS1-D-606 | DSSB-HCD00 |
| 60x8 | 250*2 | DSSB-BS1-D-608 | DSSB-HCD00 |
| 60x10 | 200*3 | DSSB-BS1-D-610 | DSSB-HCD00 |
| 80x6 | 250*2 | DSSB-BS1-D-806 | DSSB-HCD00 |
| 80x8 | 200*3 | DSSB-BS1-D-808 | DSSB-HCD00 |
| 80x10 | 250*3 | DSSB-BS1-D-8010 | DSSB-HCD00 |

EXOTHERMIC WELDING

BUS BAR TO STEEL SURFACE BS2

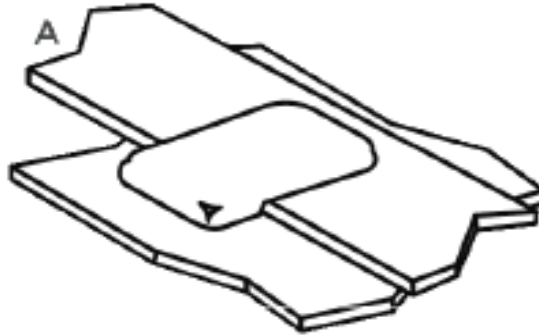


Horizontal bus bar tap to horizontal steel surface

| A mm x mm | Metal Powder (g) | Graphite Mould Type | Handle Clamp Type |
|--------------|------------------|---------------------|-------------------|
| 20x2 | 65 | DSSB-BS2-C-202 | DSSB-HCC00 |
| 20x3 | 90 | DSSB-BS2-C-203 | DSSB-HCC00 |
| 25x2 | 90 | DSSB-BS2-C-252 | DSSB-HCC00 |
| 25x3 | 90 | DSSB-BS2-C-253 | DSSB-HCC00 |
| 25x4 | 90 | DSSB-BS2-C-254 | DSSB-HCC00 |
| 25x6 | 150 | DSSB-BS2-C-256 | DSSB-HCC00 |
| 30x2 | 115 | DSSB-BS2-C-302 | DSSB-HCC00 |
| 30x3 | 115 | DSSB-BS2-C-303 | DSSB-HCC00 |
| 30x4 | 150 | DSSB-BS2-C-304 | DSSB-HCC00 |
| 30x5 | 200 | DSSB-BS2-C-305 | DSSB-HCC00 |
| 31x3 | 115 | DSSB-BS2-C-313 | DSSB-HCC00 |
| 31x6 | 200 | DSSB-BS2-C-316 | DSSB-HCC00 |
| 38x3 | 150 | DSSB-BS2-C-383 | DSSB-HCC00 |
| 38x5 | 200 | DSSB-BS2-C-385 | DSSB-HCC00 |
| 38x6 | 200 | DSSB-BS2-C-386 | DSSB-HCC00 |
| 40x3 | 115 | DSSB-BS2-C-403 | DSSB-HCC00 |
| 40x4 | 200 | DSSB-BS2-C-404 | DSSB-HCC00 |
| 40x5 | 200 | DSSB-BS2-C-405 | DSSB-HCC00 |
| 40x6 | 250 | DSSB-BS2-C-406 | DSSB-HCC00 |
| 50x3 | 200 | DSSB-BS2-C-503 | DSSB-HCC00 |
| 50x4 | 150*2 | DSSB-BS2-D-504 | DSSB-HCD00 |
| 50x5 | 150*2 | DSSB-BS2-D-505 | DSSB-HCD00 |
| 50x6 | 150*2 | DSSB-BS2-D-506 | DSSB-HCD00 |
| 50x8 | 200*2 | DSSB-BS2-D-508 | DSSB-HCD00 |

EXOTHERMIC WELDING

BUS BAR TO STEEL SURFACE BS3

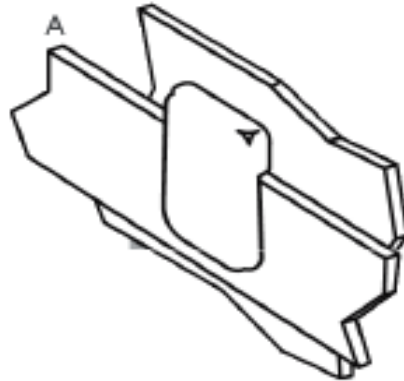


Horizontal bus bar tap to horizontal steel surface

| A mm x mm | Metal Powder (g) | Graphite Mould Type | Handle Clamp Type |
|--------------|------------------|---------------------|-------------------|
| 20x2 | 65 | DSSB-BS3-C-202 | DSSB-HCC00 |
| 20x3 | 90 | DSSB-BS3-C-203 | DSSB-HCC00 |
| 25x2 | 90 | DSSB-BS3-C-252 | DSSB-HCC00 |
| 25x3 | 115 | DSSB-BS3-C-253 | DSSB-HCC00 |
| 25x4 | 115 | DSSB-BS3-C-254 | DSSB-HCC00 |
| 25x6 | 150 | DSSB-BS3-C-256 | DSSB-HCC00 |
| 30x2 | 115 | DSSB-BS3-C-302 | DSSB-HCC00 |
| 30x3 | 115 | DSSB-BS3-C-303 | DSSB-HCC00 |
| 30x4 | 150 | DSSB-BS3-C-304 | DSSB-HCC00 |
| 30x5 | 200 | DSSB-BS3-C-305 | DSSB-HCC00 |
| 31x3 | 115 | DSSB-BS3-C-313 | DSSB-HCC00 |
| 31x6 | 200 | DSSB-BS3-C-316 | DSSB-HCC00 |
| 38x3 | 150 | DSSB-BS3-C-383 | DSSB-HCC00 |
| 38x5 | 200 | DSSB-BS3-C-385 | DSSB-HCC00 |
| 38x6 | 250 | DSSB-BS3-C-386 | DSSB-HCC00 |
| 40x3 | 150 | DSSB-BS3-C-403 | DSSB-HCC00 |
| 40x4 | 200 | DSSB-BS3-C-404 | DSSB-HCC00 |
| 40x5 | 250 | DSSB-BS3-C-405 | DSSB-HCC00 |
| 40x6 | 250 | DSSB-BS3-C-406 | DSSB-HCC00 |
| 50x3 | 250 | DSSB-BS3-C-503 | DSSB-HCC00 |
| 50x4 | 250 | DSSB-BS3-C-504 | DSSB-HCC00 |
| 50x5 | 250 | DSSB-BS3-C-505 | DSSB-HCC00 |
| 50x6 | 250 | DSSB-BS3-C-506 | DSSB-HCC00 |
| 50x8 | 150*2 | DSSB-BS3-D-508 | DSSB-HCD00 |
| 60x8 | 150*2 | DSSB-BS3-D-608 | DSSB-HCD00 |
| 60x10 | 200*2 | DSSB-BS3-D-610 | DSSB-HCD00 |

EXOTHERMIC WELDING

BUS BAR TO STEEL SURFACE BS4

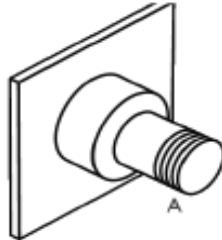


Horizontal thru bus
to vertical steel surface

| A mm x mm | Metal Powder (g) | Graphite Mould Type | Handle Clamp Type |
|--------------|---------------------|---------------------|----------------------|
| 20x2 | 90 | DSSB-BS4-C-202 | DSSB-HCC00 |
| 20x3 | 90 | DSSB-BS4-C-203 | DSSB-HCC00 |
| 25x2 | 115 | DSSB-BS4-C-252 | DSSB-HCC00 |
| 25x3 | 115 | DSSB-BS4-C-253 | DSSB-HCC00 |
| 25x4 | 150 | DSSB-BS4-C-254 | DSSB-HCC00 |
| 25x6 | 150 | DSSB-BS4-C-256 | DSSB-HCC00 |
| 30x2 | 115 | DSSB-BS4-C-302 | DSSB-HCC00 |
| 30x3 | 115 | DSSB-BS4-C-303 | DSSB-HCC00 |
| 30x4 | 200 | DSSB-BS4-C-304 | DSSB-HCC00 |
| 30x5 | 200 | DSSB-BS4-C-305 | DSSB-HCC00 |
| 31x3 | 150 | DSSB-BS4-C-313 | DSSB-HCC00 |
| 31x6 | 200 | DSSB-BS4-C-316 | DSSB-HCC00 |
| 38x3 | 150 | DSSB-BS4-C-383 | DSSB-HCC00 |
| 38x5 | 200 | DSSB-BS4-C-385 | DSSB-HCC00 |
| 38x6 | 250 | DSSB-BS4-C-386 | DSSB-HCC00 |
| 40x3 | 150 | DSSB-BS4-C-403 | DSSB-HCC00 |
| 40x4 | 200 | DSSB-BS4-C-404 | DSSB-HCC00 |
| 40x5 | 200 | DSSB-BS4-C-405 | DSSB-HCC00 |
| 40x6 | 250 | DSSB-BS4-C-406 | DSSB-HCC00 |
| 50x3 | 200 | DSSB-BS4-C-503 | DSSB-HCC00 |
| 50x4 | 250 | DSSB-BS4-C-504 | DSSB-HCC00 |
| 50x6 | 150*2 | DSSB-BS4-D-506 | DSSB-HCD00 |
| 50x8 | 200*2 | DSSB-BS4-D-508 | DSSB-HCD00 |
| 60x6 | 200*2 | DSSB-BS4-D-606 | DSSB-HCD00 |
| 60x8 | 250*2 | DSSB-BS4-D-608 | DSSB-HCD00 |
| 60x10 | 250*3 | DSSB-BS4-D-610 | DSSB-HCD00 |

EXOTHERMIC WELDING

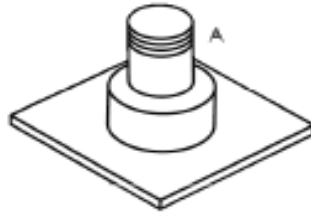
STUD TO STEEL RS1



**Horizontal stud
to vertical steel surface**

| A mm x mm | Metal Powder (g) | Graphite Mould Type | Handle Clamp Type |
|--------------|---------------------|---------------------|----------------------|
| M6 | 25 | DSSB-RS1-C-M6 | DSSB-HCC00 |
| M8 | 32 | DSSB-RS1-C-M8 | DSSB-HCC00 |
| M10 | 45 | DSSB-RS1-C-M10 | DSSB-HCC00 |
| M12 | 65 | DSSB-RS1-C-M12 | DSSB-HCC00 |
| M16 | 115 | DSSB-RS1-C-M16 | DSSB-HCC00 |

STUD TO STEEL RS2

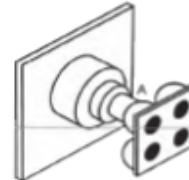


**Vertical Stud
to horizontal steel surface**

| A mm x mm | Metal Powder (g) | Graphite Mould Type | Handle Clamp Type |
|--------------|---------------------|---------------------|----------------------|
| M6 | 25 | DSSB-RS2-C-M6 | DSSB-HCC00 |
| M8 | 32 | DSSB-RS2-C-M8 | DSSB-HCC00 |
| M10 | 45 | DSSB-RS2-C-M10 | DSSB-HCC00 |
| M12 | 65 | DSSB-RS2-C-M12 | DSSB-HCC00 |
| M16 | 115 | DSSB-RS2-C-M16 | DSSB-HCC00 |

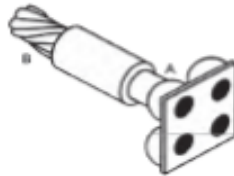
GROUND PLATES TO CABLES & STEEL RS3

| A mm | Metal Powder (g) | Graphite Mould Type | Handle Clamp Type |
|------|------------------|---------------------|-------------------|
| 12.7 | 150 | DSSB-RS3-C-127 | DSSB-HCC00 |



Ground plates to vertical steel

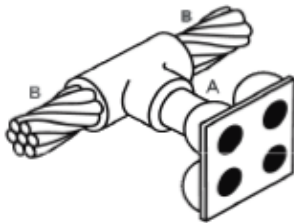
GROUND PLATES TO CABLES & STEEL RC1



Ground plates to horizontal cable end

| A mm | B mm ² | Metal Powder (g) | Graphite Mould Type | Handle Clamp Type |
|------|-------------------|------------------|---------------------|-------------------|
| 12.7 | 70 | 90 | DSSB-RC1-C-12770 | DSSB-HCC00 |
| 12.7 | 95 | 90 | DSSB-RC1-C-12795 | DSSB-HCC00 |
| 12.7 | 120 | 115 | DSSB-RC1-C-127120 | DSSB-HCC00 |

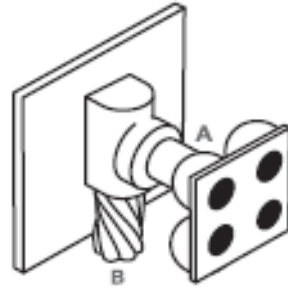
GROUND PLATES TO CABLES & STEEL RC2



Ground plates to horizontal cable thru

| A mm | B mm ² | Metal Powder (g) | Graphite Mould Type | Handle Clamp Type |
|------|-------------------|------------------|---------------------|-------------------|
| 12.7 | 70 | 90 | DSSB-RC2-C-12770 | DSSB-HCC00 |
| 12.7 | 95 | 90 | DSSB-RC2-C-12795 | DSSB-HCC00 |
| 12.7 | 120 | 115 | DSSB-RC2-C-127120 | DSSB-HCC00 |

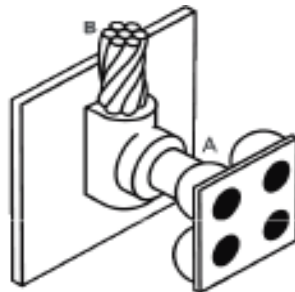
GROUND PLATES TO CABLES & STEEL RCS1



**Ground plates
to vertical steel
and cable down**

| A mm | B mm ² | Metal Powder (g) | Graphite Mould Type | Handle Clamp Type |
|---------|----------------------|------------------|---------------------|-------------------|
| 12.7 | 70 | 200 | DSSB-CRS1-C-12770 | DSSB-HCC00 |
| 12.7 | 95 | 250 | DSSB-CRS1-C-12795 | DSSB-HCC00 |
| 12.7 | 120 | 250 | DSSB-CRS1-C-127120 | DSSB-HCC00 |

GROUND PLATES TO CABLES & STEEL CRS2



**Ground plates
to vertical steel
and cable up**

| A mm | B mm ² | Metal Powder (g) | Graphite Mould Type | Handle Clamp Type |
|---------|----------------------|------------------|---------------------|-------------------|
| 12.7 | 70 | 200 | DSSB-CRS2-C-12770 | DSSB-HCC00 |
| 12.7 | 95 | 250 | DSSB-CRS2-C-12795 | DSSB-HCC00 |
| 12.7 | 120 | 250 | DSSB-CRS2-C-127120 | DSSB-HCC00 |

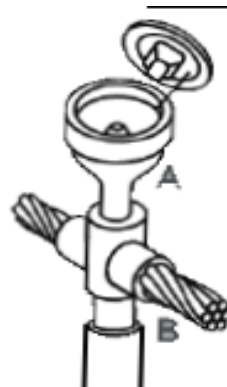
CABLE TO AIRCRAFT GROUNDING RECEPTACLE AC1



Horizontal cable to
ground receptacle

| A mm | B mm ² | Metal Powder (g) | Graphite Mould Type | Handle Clamp Type |
|---------|----------------------|---------------------|---------------------|----------------------|
| 12.7 | 35 | 115 | DSSB-AC1-C-12735 | DSSB-HCC00 |
| 12.7 | 50 | 150 | DSSB-AC1-C-12750 | DSSB-HCC00 |
| 12.7 | 70 | 150 | DSSB-AC1-C-12770 | DSSB-HCC00 |
| 12.7 | 95 | 150 | DSSB-AC1-C-12795 | DSSB-HCC00 |
| 12.7 | 120 | 150 | DSSB-AC1-C-127120 | DSSB-HCC00 |

CABLE TO AIRCRAFT GROUNDING RECEPTACLE AC2

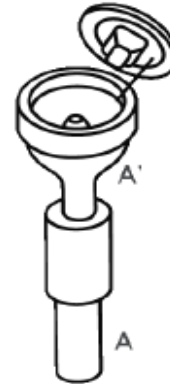


Horizontal thru to
ground receptacle

| A mm | B mm ² | Metal Powder (g) | Graphite Mould Type | Handle Clamp Type |
|---------|----------------------|---------------------|---------------------|----------------------|
| 12.7 | 35 | 115 | DSSB-AC2-C-12735 | DSSB-HCC00 |
| 12.7 | 50 | 150 | DSSB-AC2-C-12750 | DSSB-HCC00 |
| 12.7 | 70 | 150 | DSSB-AC2-C-12770 | DSSB-HCC00 |
| 12.7 | 95 | 200 | DSSB-AC2-C-12795 | DSSB-HCC00 |
| 12.7 | 120 | 200 | DSSB-AC2-C-127120 | DSSB-HCC00 |

**CABLE AND AIRCRAFT GROUNDING RECEPTACLE TO GROUND ROD
AR1**

Ground receptacle to the top of ground rod



| A mean (mm) | A inch | Metal Powder (g) | Graphite Mould Type | Handle Clamp Type |
|-------------------|-----------|---------------------|---------------------|----------------------|
| 16 | 5/8 | 2x150 | DSSB-AR1-R-158 | DSSB-HCC00 |
| 19 | 3/4 | 2x150 | DSSB-AR1-R-172 | DSSB-HCC00 |
| 23.1 | 1 | 2x200 | DSSB-AR1-J-254 | DSSB-HCD00 |

EXOTHERMIC WELDING

**CABLE AND AIRCRAFT GROUNDING RECEPTACLE TO GROUND ROD
ACR1**



Horizontal cable and ground receptacle to the top of ground rod

| A mean (mm) | A inch | B mm ² | Metal Powder (g) | Graphite Mould Type | Handle Clamp Type |
|-------------|--------|-------------------|------------------|---------------------|-------------------|
| 16 | 5/8 | 50 | 2X200 | DSSB-ACR1-J-15850 | DSSB-HCD00 |
| 16 | 5/8 | 70 | 2X200 | DSSB-ACR1-J-15870 | DSSB-HCD00 |
| 16 | 5/8 | 95 | 2X200 | DSSB-ACR1-J-15895 | DSSB-HCD00 |
| 16 | 5/8 | 120 | 2X200 | DSSB-ACR1-J-158120 | DSSB-HCD00 |
| 19 | 3/4 | 50 | 2X200 | DSSB-ACR1-J-17250 | DSSB-HCD00 |
| 19 | 3/4 | 70 | 2X200 | DSSB-ACR1-J-17270 | DSSB-HCD00 |
| 19 | 3/4 | 95 | 2X200 | DSSB-ACR1-J-17295 | DSSB-HCD00 |
| 19 | 3/4 | 120 | 2X200 | DSSB-ACR1-J-172120 | DSSB-HCD00 |
| 23.1 | 1 | 50 | 2X250 | DSSB-ACR1-J-25450 | DSSB-HCD00 |
| 23.1 | 1 | 70 | 2X250 | DSSB-ACR1-J-25470 | DSSB-HCD00 |
| 23.1 | 1 | 95 | 2X250 | DSSB-ACR1-J-25495 | DSSB-HCD00 |
| 23.1 | 1 | 120 | 2X250 | DSSB-ACR1-J-254120 | DSSB-HCD00 |

EXOTHERMIC WELDING

**CABLE AND AIRCRAFT GROUNDING RECEPTACLE TO GROUND ROD
ACR2**

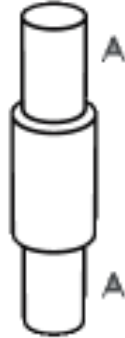


Horizontal cable thru and ground receptacle to the top of ground rod

| A mean (mm) | A inch | B mm ² | Metal Powder (g) | Graphite Mould Type | Handle Clamp Type |
|-------------|--------|-------------------|------------------|---------------------|-------------------|
| 16 | 5/8 | 50 | 2X200 | DSSB-ACR2-J-15850 | DSSB-HCD00 |
| 16 | 5/8 | 70 | 2X200 | DSSB-ACR2-J-15870 | DSSB-HCD00 |
| 16 | 5/8 | 95 | 2X200 | DSSB-ACR2-J-15895 | DSSB-HCD00 |
| 16 | 5/8 | 120 | 2X200 | DSSB-ACR2-J-158120 | DSSB-HCD00 |
| 19 | 3/4 | 50 | 2X200 | DSSB-ACR2-J-17250 | DSSB-HCD00 |
| 19 | 3/4 | 70 | 2X200 | DSSB-ACR2-J-17270 | DSSB-HCD00 |
| 19 | 3/4 | 95 | 2X200 | DSSB-ACR2-J-17295 | DSSB-HCD00 |
| 19 | 3/4 | 120 | 2X200 | DSSB-ACR2-J-172120 | DSSB-HCD00 |
| 23.1 | 1 | 50 | 2X250 | DSSB-ACR2-J-25450 | DSSB-HCD00 |
| 23.1 | 1 | 70 | 2X250 | DSSB-ACR2-J-25470 | DSSB-HCD00 |
| 23.1 | 1 | 95 | 2X250 | DSSB-ACR2-J-25495 | DSSB-HCD00 |
| 23.1 | 1 | 120 | 2X250 | DSSB-ACR2-J-254120 | DSSB-HCD00 |

EXOTHERMIC WELDING

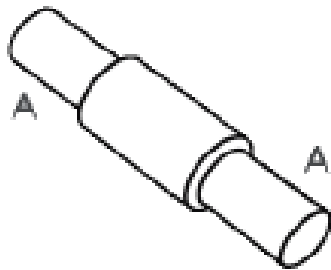
GROUND ROD TO GROUND ROD RR1



Vertical Ground Rod end to end

| A mean (mm) | A inch | Metal Powder (g) | Graphite Mould Type | Handle Clamp Type |
|-------------|--------|------------------|---------------------|-------------------|
| 12.7 | 1/2 | 200 | DSSB-RR1-CL-127 | DSSB-HCC00 |
| 16 | 5/8 | 200 | DSSB-RR1-CL-142 | DSSB-HCC00 |
| 19 | 3/4 | 2X150 | DSSB-RR1-CL-172 | DSSB-HCC00 |
| 23.1 | 1 | 2X200 | DSSB-RR1-DL-231 | DSSB-HCD00 |

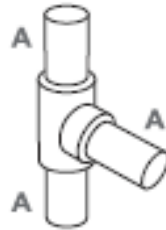
GROUND ROD TO GROUND ROD RR2



Horizontal ground rod end to end

| A mean (mm) | A inch | Metal Powder (g) | Graphite Mould Type | Handle Clamp Type |
|-------------|--------|------------------|---------------------|-------------------|
| 12.7 | 1/2 | 200 | DSSB-RR2-C-127 | DSSB-HCD00 |
| 16 | 5/8 | 200 | DSSB-RR2-C-142 | DSSB-HCD00 |
| 19 | 3/4 | 2X150 | DSSB-RR2-C-172 | DSSB-HCD00 |
| 23.1 | 1 | 2X200 | DSSB-RR2-C-231 | DSSB-HCD00 |

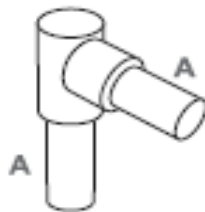
GROUND ROD TO GROUND ROD
RR3



**Horizontal Ground rod tap
o Vertical Ground rod**

| A mean (mm) | A inch | B mean (mm) | Metal Powder (g) | Graphite Mould Type | Handle Clamp Type |
|-------------|--------|-------------|------------------|---------------------|-------------------|
| 12.7 | 1/2 | 12.7 | 200 | DSSB-RR3-CL-127127 | DSSB-HCC00 |
| 16 | 5/8 | 14.2 | 200 | DSSB-RR3-CL-16142 | DSSB-HCC00 |
| 19 | 3/4 | 17.2 | 2X150 | DSSB-RR3-CL-19172 | DSSB-HCC00 |
| 23.1 | 1 | 23.1 | 2X200 | DSSB-RR3-DL-231231 | DSSB-HCD00 |

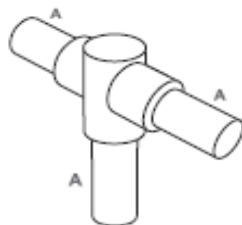
GROUND ROD TO GROUND ROD
RR4



**Horizontal Ground rod
to Ground rod**

| A mean (mm) | A inch | B mean (mm) | Metal Powder (g) | Graphite Mould Type | Handle Clamp Type |
|-------------|--------|-------------|------------------|---------------------|-------------------|
| 12.7 | 1/2 | 12.7 | 200 | DSSB-RR4-C-127127 | DSSB-HCC00 |
| 16 | 5/8 | 14.2 | 200 | DSSB-RR4-C-16142 | DSSB-HCC00 |
| 19 | 3/4 | 17.2 | 2X150 | DSSB-RR4-C-19172 | DSSB-HCC00 |
| 23.1 | 1 | 23.1 | 2X200 | DSSB-RR4-D-231231 | DSSB-HCD00 |

GROUND ROD TO GROUND ROD
RR5



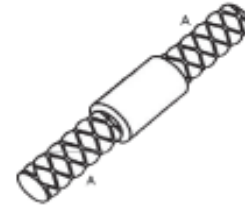
**Horizontal Ground rod thru
to Ground rod**

| A mean (mm) | A inch | B mean (mm) | Metal Powder (g) | Graphite Mould Type | Handle Clamp Type |
|-------------|--------|-------------|------------------|---------------------|-------------------|
| 12.7 | 1/2 | 12.7 | 200 | DSSB-RR5-C-127127 | DSSB-HCC00 |
| 16 | 5/8 | 14.2 | 200 | DSSB-RR5-C-16142 | DSSB-HCC00 |
| 19 | 3/4 | 17.2 | 2X150 | DSSB-RR5-C-19172 | DSSB-HCC00 |
| 23.1 | 1 | 23.1 | 2X200 | DSSB-RR5-D-231231 | DSSB-HCD00 |

EXOTHERMIC WELDING

REBAR TO REBAR RE1

| A mm | Metal Powder (g) | Graphite Mould Type | Handle Clamp Type |
|------|------------------|---------------------|-------------------|
| 10 | 90 | DSSB-RE1-C-10 | DSSB-HCC00 |
| 12 | 115 | DSSB-RE1-C-12 | DSSB-HCC00 |
| 16 | 200 | DSSB-RE1-C-16 | DSSB-HCC00 |
| 20 | 250 | DSSB-RE1-C-20 | DSSB-HCC00 |
| 25 | 2X200 | DSSB-RE1-D-25 | DSSB-HCD00 |



Horizontal rebar
end to end

REBAR TO REBAR RE2

| A mm | Metal Powder (g) | Graphite Mould Type | Handle Clamp Type |
|------|------------------|---------------------|-------------------|
| 10 | 90 | DSSB-RE2-CL-10 | DSSB-HCC00 |
| 12 | 115 | DSSB-RE2-CL-12 | DSSB-HCC00 |
| 16 | 200 | DSSB-RE2-CL-16 | DSSB-HCC00 |
| 20 | 250 | DSSB-RE2-CL-20 | DSSB-HCC00 |
| 25 | 2X200 | DSSB-RE2-DL-25 | DSSB-HCD00 |

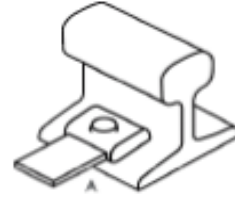
Horizontal rebar
end to end



EXOTHERMIC WELDING

BUS BAR TO RAIL BX1

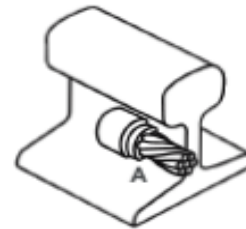
| A m x m | Metal Powder (g) | Graphite Mould Type | Handle Clamp Type |
|------------|------------------------|------------------------|-------------------|
| 25X3 | 65 | DSSB-BX1-C-253 | DSSB-HCF00 |



Bar to foot of rail at angle 90°

CABLE TO RAIL CX1

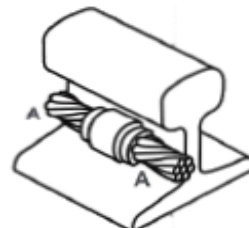
| A mm ² | Metal Powder (g) | Graphite Mould Type | Handle Clamp Type |
|----------------------|------------------------|------------------------|-------------------|
| 50 | 115 | DSSB-CX1L-C-50 | DSSB-HCF00 |
| 50 | 115 | DSSB-CX1L-C-50 | DSSB-HCF00 |
| 70 | 115 | DSSB-CX1L-C-70 | DSSB-HCF00 |
| 70 | 115 | DSSB-CX1L-C-70 | DSSB-HCF00 |
| 95 | 150 | DSSB-CX1L-C-95 | DSSB-HCF00 |
| 95 | 150 | DSSB-CX1L-C-95 | DSSB-HCF00 |
| 120 | 150 | DSSB-CX1L-C-12 | DSSB-HCF00 |
| 120 | 150 | DSSB-CX1L-C-12 | DSSB-HCF00 |
| 150 | 200 | DSSB-CX1L-C-15 | DSSB-HCF00 |
| 150 | 200 | DSSB-CX1L-C-15 | DSSB-HCF00 |



Horizontal cable to rail termination

CABLE TO RAIL CX2

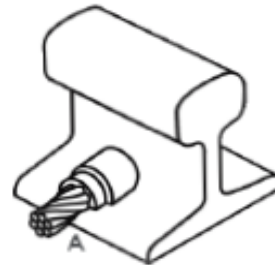
| A mm ² | Metal Powder (g) | Graphite Mould Type | Handle Clamp Type |
|----------------------|------------------------|------------------------|-------------------|
| 50 | 150 | DSSB-CX2L-C-50 | DSSB-HCF00 |
| 70 | 150 | DSSB-CX2L-C-70 | DSSB-HCF00 |
| 95 | 200 | DSSB-CX2L-C-95 | DSSB-HCF00 |
| 120 | 200 | DSSB-CX2L-C-12 | DSSB-HCF00 |
| 150 | 250 | DSSB-CX2L-C-15 | DSSB-HCF00 |



Horizontal thru cable to rail termination (fillet)

CABLE TO RAIL CX5

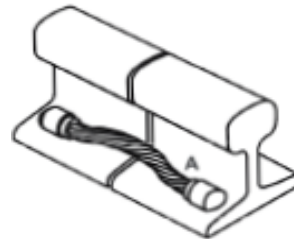
| A mm ² | Metal Powder (g) | Graphite Mould Type | Handle Clamp Type |
|----------------------|------------------------|------------------------|-------------------|
| 16 | 25 | DSSB-CX5-A-16 | DSSB-HCA00 |
| 25 | 25 | DSSB-CX5-A-25 | DSSB-HCA00 |
| 35 | 32 | DSSB-CX5-A-35 | DSSB-HCA00 |
| 50 | 45 | DSSB-CX5-A-50 | DSSB-HCA00 |
| 70 | 65 | DSSB-CX5-A-70 | DSSB-HCA00 |
| 95 | 65 | DSSB-CX5-A-95 | DSSB-HCA00 |
| 120 | 90 | DSSB-CX5-B-120 | DSSB-HCF00 |
| 150 | 115 | DSSB-CX5-B-150 | DSSB-HCF00 |



Horizontal cable end tap to rail (foot)

CABLE TO RAIL CX7

| A mm ² | Metal Powder (g) | Graphite Mould Type | Handle Clamp Type |
|----------------------|------------------------|------------------------|-------------------|
| 50 | 45 | DSSB-CX7L-C-50 | DSSB-HCF00 |
| 50 | 45 | DSSB-CX7R-C-50 | DSSB-HCF00 |
| 70 | 45 | DSSB-CX7L-C-70 | DSSB-HCF00 |
| 70 | 45 | DSSB-CX7R-C-70 | DSSB-HCF00 |
| 120 | 65 | DSSB-CX7L-C-12 | DSSB-HCF00 |
| 120 | 65 | DSSB-CX7R-C-12 | DSSB-HCF00 |
| 150 | 90 | DSSB-CX7L-C-15 | DSSB-HCF00 |
| 150 | 90 | DSSB-CX7R-C-15 | DSSB-HCF00 |



Bond to base of rail (foot)

CONDUCTORS

Cadmium Bronze Wire with Tin Plating for Rail Head Bond



| Code No. | Length (Inch) | Overall Diameter (inch) |
|-------------------|---------------|-------------------------|
| DSSB - KWSBS 37.5 | 7-1/2" | 3/16" |

Material : Signaling Wire Sleeves Cadmium Bronze with tin Copper

Cadmium Bronze Wire with Tin Plating for Switch Bond



| Code No. | Length (Inch) | Overall Diameter (inch) |
|--------------------|---------------|-------------------------|
| DSSB - KSBTBS 318T | 18" | 3/16" |

Material : Signaling Wire Sleeves Cadmium Bronze with tin Copper

Cadmium Bronze Wire with Tin Plating for Jumper Bond



| Code No. | Length (Inch) | Overall Diameter (inch) |
|--------------------|---------------|-------------------------|
| DSSB - KSBTBJ 318T | 18" | 3/16" |

Material : Signaling Wire Sleeves Cadmium Bronze with tin Copper

EXOTHERMIC WELDING

CONDUCTORS

Cadmium Bronze Wire with Tin Plating for Web Bond



| Code No. | Length (Inch) | Overall Diameter (inch) |
|-----------------|---------------|-------------------------|
| DSSB - KSBW 34T | 4-1/8" | 3/16" |

Material : Signaling Wire
Sleeves
Lug

Cadmium Bronze with tin
Copper
Copper with Tin

Cadmium Bronze Wire with Tin Plating



| Code No. | Length (Inch) | Overall Diameter (inch) |
|--------------|---------------|-------------------------|
| DSSB - SB 3T | As Request | 3/16" |

Material : Signaling Wire
Cadmium Bronze with tin

PVC Covered Galvanized Steel Wire



| Code No. | Length (Inch) | Overall Diameter (inch) |
|------------------|---------------|-------------------------|
| DSSB - KWBTG 4-0 | 100 | 12 |

Material : Signaling Wire
PVC Cover

Galvanized Steel ϕ 4mm
Orange PVC UV Stabiliser

KB TYPE WELD METAL POWDER

Exothermic Welding process for cable to piping's steel surface provides perfect connections with corrosion resistance and no effect in welding process on pipeline such as martensite at Head-Affected Zone (HAZ). High conductivity of high copper composition withstands repeated fault current without loosening up

Process

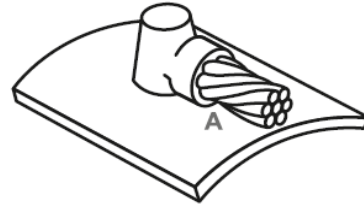
Exothermic Welding process is a molecular chemical reaction between copper oxide and aluminum, generates a tremendous superheat with molten metals reaching approximately temperatures of 4,000°F (2,600°C). The process can be completed itself automatically without external source of power or heat.



EXOTHERMIC WELDING

CATHODIC PROTECTION CA1

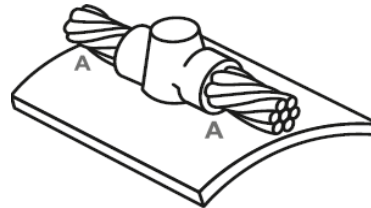
| A mm ² | Metal Powder (g) | Graphite Mould Type | Handle Clamp Type |
|----------------------|------------------------|------------------------|-------------------|
| 2.5 | KB15 | DSSB-CA1-A-2.5 | DSSB-HCA00 |
| 4 | KB15 | DSSB-CA1-A-4 | DSSB-HCA00 |
| 6 | KB15 | DSSB-CA1-A-6 | DSSB-HCA00 |
| 10 | KB15 | DSSB-CA1-A-10 | DSSB-HCA00 |
| 16 | KB15 | DSSB-CA1-A-16 | DSSB-HCA00 |
| 25 | KB15 | DSSB-CA1-A-25 | DSSB-HCA00 |
| 35 | KB32 | DSSB-CA1-A-35 | DSSB-HCA00 |
| 50 | KB65 | DSSB-CA1-A-50 | DSSB-HCA00 |
| 70 | KB65 | DSSB-CA1-A-70 | DSSB-HCA00 |



Horizontal thru cable
to horizontal pipe

CATHODIC PROTECTION CA2

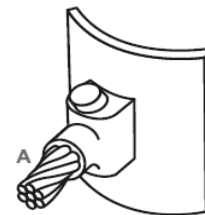
| A mm ² | Metal Powder (g) | Graphite Mould Type | Handle Clamp Type |
|----------------------|------------------------|------------------------|-------------------|
| 2.5 | KB25 | DSSB-CA2-A-2.5 | DSSB-HCA00 |
| 4 | KB25 | DSSB-CA2-A-4 | DSSB-HCA00 |
| 6 | KB25 | DSSB-CA2-A-6 | DSSB-HCA00 |
| 10 | KB25 | DSSB-CA2-A-10 | DSSB-HCA00 |
| 16 | KB25 | DSSB-CA2-A-16 | DSSB-HCA00 |
| 25 | KB25 | DSSB-CA2-A-25 | DSSB-HCA00 |
| 35 | KB45 | DSSB-CA2-A-35 | DSSB-HCA00 |
| 50 | KB65 | DSSB-CA2-A-50 | DSSB-HCA00 |
| 70 | KB65 | DSSB-CA2-A-70 | DSSB-HCA00 |



Horizontal thru cable
to horizontal pipe

CATHODIC PROTECTION CA3

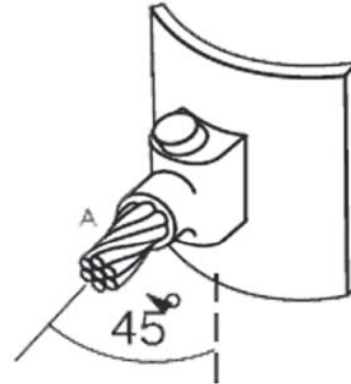
| A mm ² | Metal Powder (g) | Graphite Mould Type | Handle Clamp Type |
|----------------------|------------------------|------------------------|-------------------|
| 2.5 | KB15 | DSSB-CA3-B-2.5 | DSSB-HCB00-XB |
| 4 | KB15 | DSSB-CA3-B-4 | DSSB-HCB00-XB |
| 6 | KB15 | DSSB-CA3-B-6 | DSSB-HCB00-XB |
| 10 | KB15 | DSSB-CA3-B-10 | DSSB-HCB00-XB |
| 16 | KB15 | DSSB-CA3-B-16 | DSSB-HCB00-XB |
| 25 | KB15 | DSSB-CA3-B-25 | DSSB-HCB00-XB |
| 35 | KB32 | DSSB-CA3-B-35 | DSSB-HCB00-XB |
| 50 | KB65 | DSSB-CA3-B-50 | DSSB-HCB00-XB |
| 70 | KB65 | DSSB-CA3-B-70 | DSSB-HCB00-XB |



Angular cable drop
to vertical pipe surface

EXOTHERMIC WELDING

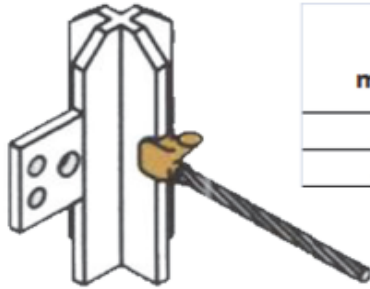
Angular Cable Drop to Vertical Pipe Surface



| A mean (mm) | Metal Powder (g) | Graphite Mould Type | Handle Clamp Type |
|-------------|------------------|---------------------|-------------------|
| 10 | 45 | DSSB-CP1-C-10 | DSSB-HCC00-X |
| 16 | 45 | DSSB-CP1-C-16 | DSSB-HCC00-X |
| 25 | 45 | DSSB-CP1-C-25 | DSSB-HCC00-X |
| 35 | 45 | DSSB-CP1-C-35 | DSSB-HCC00-X |
| Ø8mm | 90 | DSSB-CP1-C-8SC | DSSB-HCC00-X |
| 50 | 90 | DSSB-CP1-C-50 | DSSB-HCC00-X |
| Ø10mm | 115 | DSSB-CP1-C-10S | DSSB-HCC00-X |
| 70 | 90 | DSSB-CP1-C-70 | DSSB-HCC00-X |
| 95 | 115 | DSSB-CP1-C-95 | DSSB-HCC00-X |
| 120 | 115 | DSSB-CP1-C-120 | DSSB-HCC00-X |
| 150 | 150 | DSSB-CP1-C-150 | DSSB-HCC00-X |
| 185 | 200 | DSSB-CP1-C-185 | DSSB-HCC00-X |
| 240 | 200 | DSSB-CP1-C-240 | DSSB-HCC00-X |
| 300 | 250 | DSSB-CP1-C-300 | DSSB-HCC00-X |

EXOTHERMIC WELDING

STEEL CABLE TO STEEL ROD VERTICAL STEEL ROD TAP TO HORIZONTAL CABLE



| A mm ² | Powder | Mold Type | Clamp |
|----------------------|--------|-----------|------------|
| 35 | 65 | SRS1-C-35 | DSSB-HCC00 |
| 50 | 65 | SRS1-C-50 | DSSB-HCC00 |

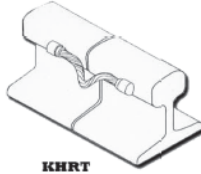
STEEL CABLE TO STEEL ROD VERTICAL STEEL ROD TAP TO VERTICAL CABLE



| A mm ² | Powder | Mold Type | Clamp |
|----------------------|--------|-----------|------------|
| 35 | 65 | SRS2-C-35 | DSSB-HCC00 |
| 50 | 65 | SRS2-C-50 | DSSB-HCC00 |

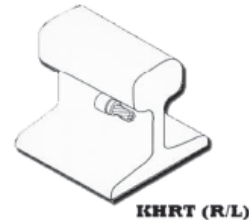
SIGNALLING BOND

HORIZONTAL CABLE END TAP TO HEAD RAL



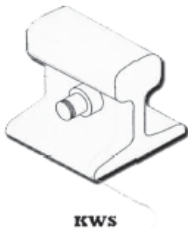
| Signaling Cable | | Powder | Mold Type | Clamp |
|-----------------|--------|--------|-------------|-------|
| Diameter | Length | | | |
| 3/16" | 24" | KR 25 | KWRT3 (R/L) | HCW |
| 5/6" | 24" | KR 32 | KWRT5 (R/L) | HCW |

HORIZONTAL CABLE END TAP TO WEB RAL



| Signaling Cable | | Powder | Mold Type | Clamp |
|-----------------|--------|--------|-------------|-------|
| Diameter | Length | | | |
| 3/16" | 6-1/2" | KR 25 | KHRT3 (R/L) | HCH |
| 5/6" | 6-1/2" | KR 32 | KHRT5 (R/L) | HCH |

STUD TAP TO EWB RAIL



| Stud Size (mm) | Powder | Mold Type | Clamp |
|----------------|--------|-----------|-------|
| M6 | KR 45 | KWS 6 | HCW |
| M8 | KR 45 | KWS 8 | HCW |
| M10 | KR 65 | KWS 10 | HCW |
| M12 | KR 90 | KWS 12 | HCW |
| M16 | KR 115 | KWS 16 | HCW |

STANDARD TOOLS

Standard Tools

Standard Tools are dedicated to use with the main equipments in exothermic welding connection process.

- **Flint Igniter** - for starting the reaction.
- **Cable Clean Brush** – for cleaning cables and other circular conductor
- **Mould Brush** – for cleaning mould
- **Busbar Brush** – for cleaning metal flat surface
- **Scraper** – for removing slag from mould's crucible after finishing the connection.



HANDLE CLAMP

Handle Clamp

Handle clamp has only 3 type differences; DSSB HCB00, DSSB HCC00 and DSSB HCD00, which is adequate to assort with many different sizes and types of graphite mould.



DSSB HCC00

HCB00 type handle clamp assorting with 2"x2" sized mould



DSSB HCC00 & HCD00

HCC00 type handle clamp assorting with 3-1/8" x 3-1/8" sized mould and 2-5/16" distance between prongs.

HCD00 type handle clamp assorting with 4"x4" sized mould and 3" distance between prongs.



DSSB HCB00-XB & DSSB HCB00-XB-12D

Handle clamp with chain support for cathodic mould
 HCB00-XB is used to hold a mould fit at its horizontal and vertical position on up to 4" pipe's diameter and HCB00-XB-12D special chain support for 5" to 12" pipe's diameter.



DSSB HCC00-X & DSSB HCD00-X

Handle clamp with chain support "X"

It is used to hold a mould fit at its horizontal and vertical position on up to 4" pipe's diameter.
 Special chain support can be requested.

TOOLS & ACCESSORIES

DSSB KTA002

8" File Code No. DSSB KTA002
File is used for rubbing metal surface smooth before making connection.



DSSB KTA003

Bus bar Brush Code No. DSSB KTA003
Bus bar Brush is used for cleaning metal flat surface before making connection.



DSSB KTA004

Pincers Code No. DSSB KTA004
Pincers are used to facilitate in making connection.



DSSB KTA005

Screwdriver Code No. DSSB KTA005
Screwdriver is used to facilitate in making connection.



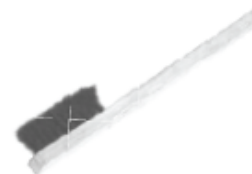
DSSB KTA006

Cable Clean Brush Code No. DSSB KTA006
Cable Clean Brush is used for cleaning cable only before making connection.



DSSB KTA007

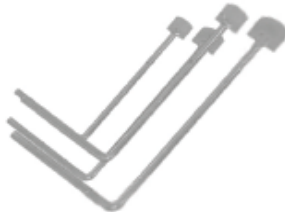
Mould Brush Code No. DSSB KTA007
Mould Brush is used for cleaning crucible and graphite mould's surface by its soft brush.



EXOTHERMIC WELDING

TOOLS & ACCESSORIES

DSSB KTA008-011



Scraper Code No. DSSB KTA008 is recommended for metal powder size 15 – 32 g
 Scraper Code No. DSSB KTA009 is recommended for metal powder size 45 - 90 g
 Scraper Code No. DSSB KTA010 is recommended for metal powder size 115 - 250 g
 Scraper Code No. DSSB KTA011 is recommended for metal powder size 300 g or more
 Scraper is used for removing slag from the mould crucible after finishing the connection.

DSSB KTA015



Disk Container Code No. DSSB KTA015
 Disk Container is used to store the steel disk and prevent possible damage.

DSSB KTA016



Cable clamp Code No. DSSB
 Cable Clamp is used for tightening a large-size cable conductor up to 95 mm².

DSSB KTA017 - DSSB KTA017



Butane Torch Code No. DSSB KTA017
Butane Gas Code No. DSS KTA018
 Butane Torch and Gas is used for removing moisture from mould and conductor to ensure they are totally dry.

DSSB KTA019



Gloves Code No. DSSB KTA019
 Gloves can help prevent your hands from possible damage.

DSSB KTA020



Ceramic Fiber Code No. DSSB KTA020
 Ceramic Fiber is used to prevent leakage from mould and conductors for complete connection.

Delta Sama Jaya Sdn.Bhd.



**We are constantly reviewing and updating our products,
for the latest information please call us on (+603) 9281 3778
or visit our website at: www.substation.com.my**