

CABLE GLANDS & ACCESSORIES



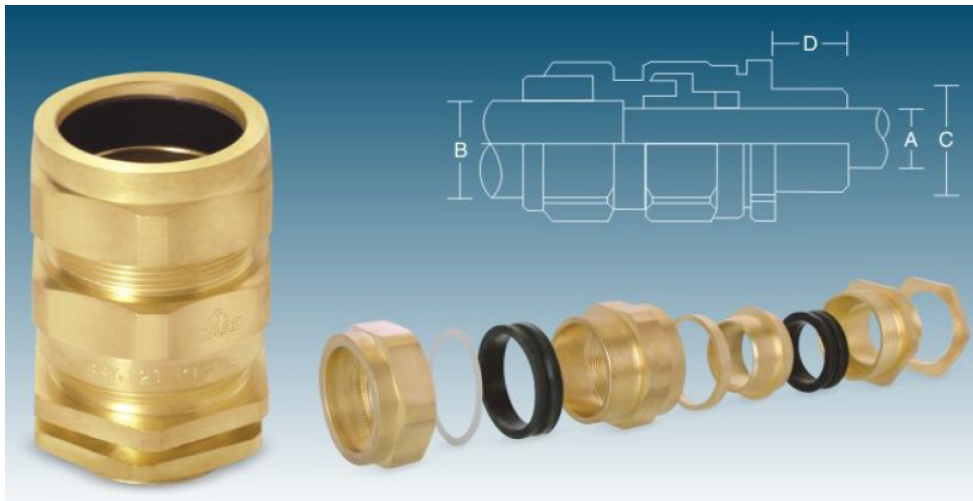
Tab 7

BRASS GLAND SELECTION CHART



CABLE SIZE CONDUCTOR		NUMBER OF CORES												
		1	2	3	3½	4	5	7	10	12	19	27	37	48
No. of	Area													
mm ²														
1.5	-	-	16L	16L	-	20s	20s	20s	20	20	25s	25L	32L	32
2.5	-	-	20s	20s	-	20s	20	20L	25s	25s	25L	32L	32L	40
4	-	-	20s	20L	-	20L	20	25s	32	32	32L	40L	-	-
6	-	-	20L	20L	-	20L	-	-	-	-	-	-	-	-
10	-	-	20L	20L	-	25s	-	-	-	-	-	-	-	-
16	-	-	25s	25L	-	25L	-	-	-	-	-	-	-	-
25	16	-	25s	25L	32	32L	-	-	-	-	-	-	-	-
35	16	-	25L	32L	32	32L	-	-	-	-	-	-	-	-
50	25	25s	32L	32L	40	40L	-	-	-	-	-	-	-	-
70	35	25s	32L	40L	40	40L	-	-	-	-	-	-	-	-
95	50	25L	40L	40L	50S	50s	-	-	-	-	-	-	-	-
120	70	32L	40L	50s	50	50L	-	-	-	-	-	-	-	-
150	70	32L	50s	50L	50	63s	-	-	-	-	-	-	-	-
185	95	32L	50L	50L	63S	63L	-	-	-	-	-	-	-	-
240	120	40L	50L	63s	63	75s	-	-	-	-	-	-	-	-
300	150	40L	63s	63L	75S	75L	-	-	-	-	-	-	-	-
300	185	-	-	-	75	-	-	-	-	-	-	-	-	-
400	185	50s	63L	75s	90S	90s	-	-	-	-	-	-	-	-
500	-	50s	-	-	-	-	-	-	-	-	-	-	-	-
630	-	50L	-	-	-	-	-	-	-	-	-	-	-	-
800	-	63s	-	-	-	-	-	-	-	-	-	-	-	-
1000	-	63L	-	-	-	-	-	-	-	-	-	-	-	-

BRASS CABLE GLANDS "E1W" TYPE - DOUBLE COMPRESSION GLANDS



ATCAB®

Item Code	Gland Size	Thread Size 'C' Metric	Minimum Length Of Thread 'D'	Cable Range 'A'		Cable Range 'B'	
				Max	Min	Max	Min
DSSB-CG-BSE1W-20S	E1W 20S	M20	15	11.70	8.80	16.00	11.80
DSSB-CG-BSE1W-20L	E1W 20L	M20	15	14.00	11.40	20.80	14.00
DSSB-CG-BSE1W-25S	E1W 25S	M25	15	16.00	13.00	24.00	18.00
DSSB-CG-BSE1W-25L	E1W 25L	M25	15	20.00	17.30	27.40	20.30
DSSB-CG-BSE1W-32S	E1W 32S	M32	10	23.00	20.00	31.00	24.50
DSSB-CG-BSE1W-32L	E1W 32L	M32	15	26.30	24.20	33.50	26.50
DSSB-CG-BSE1W-40S	E1W 40S	M40	15	29.00	26.00	36.00	30.40
DSSB-CG-BSE1W-40L	E1W 40L	M40	15	32.10	29.50	40.00	33.20
DSSB-CG-BSE1W-50S	E1W 50S	M50	15	38.10	33.00	46.50	40.00
DSSB-CG-BSE1W-50L	E1W 50L	M50	15	44.00	38.00	52.60	44.00
DSSB-CG-BSE1W-63S	E1W 63S	M63	20	50.50	44.00	59.00	50.00
DSSB-CG-BSE1W-63L	E1W 63L	M63	20	56.00	50.00	66.00	56.00
DSSB-CG-BSE1W-75S	E1W 75S	M50	20	62.00	56.00	71.00	63.00
DSSB-CG-BSE1W-75L	E1W 75L	M75	20	68.50	62.00	78.00	69.00
DSSB-CG-BSE1W-90	E1W 90	M90	20	80.00	65.00	96.00	84.00
DSSB-CG-BSE1W-100	E1W 100	M100	20	90.00	82.00	102.00	84.00

*All Dimension are in Millimeters

*Product Supplied in Kit form

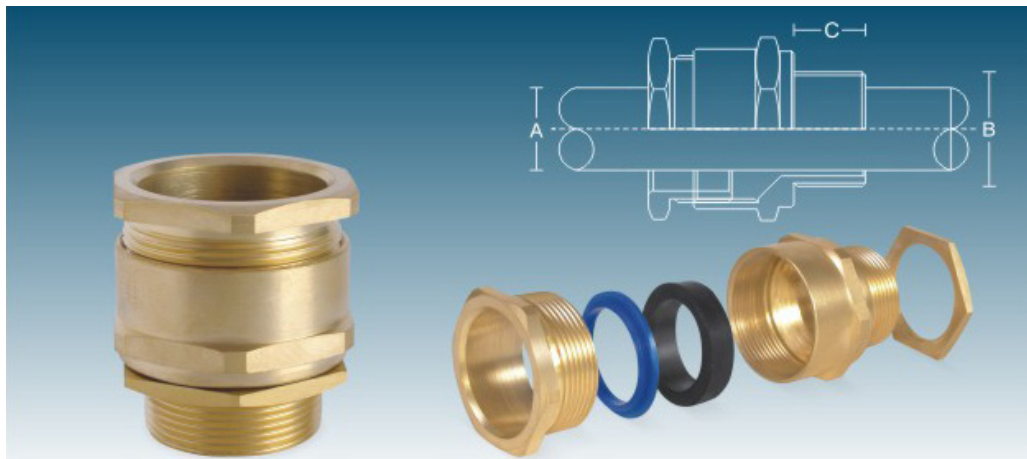
Standard : BS 6121, IEC 62444, EN 62444, EN 50262
 IP Rating : IP65
 Material : Brass BS 2874 CZ121 Pb3
 Finishing : Natural Brass Finish, Nickel Finish.
 Application : For indoor or outdoor use with all types of SWA Cable
 Operating Temp. : Standard seals -20°C to +80°C
 Function : E1W type glands provide a seal on the inner sheath, a seal on the outer sheath and an armour specific armour clamp for the armoured cable. The armour clamp provides an electrical bond between the armour cable and the gland.

Kit Accessories : Lock Nut, Earth Tag, PVC\LSF Shroud, Nylon Washer



[Click Here For Product Flyer](#)

BRASS CABLE GLANDS "A2" TYPE C/W LOCK NUT



ITEM CODE	GLAND SIZE	THREAD SIZE 'B'		MINIMUM LENGTH OF THREAD 'C'	CABLE RANGE 'A'	
		METRIC	INCH		Min	Max
DSSB-CG-A2-20S	A2 20S	M20	3/4"	10	8.00	11.50
DSSB-CG-A2-20L	A2 20L	M20	3/4"	10	11.00	13.50
DSSB-CG-A2-25S	A2 25S	M25	1"	10	13.00	16.50
DSSB-CG-A2-25L	A2 25L	M25	1"	10	16.00	19.50
DSSB-CG-A2-32L	A2 32L	M32	1 ¼"	10	19.00	25.50
DSSB-CG-A2-40S	A2 40S	M40	1 ½"	15	23.00	29.00
DSSB-CG-A2-40L	A2 40L	M40	1 ½"	15	25.00	32.00
DSSB-CG-A2-50S	A2 50S	M50	2"	15	31.50	37.00
DSSB-CG-A2-50L	A2 50L	M50	2"	15	36.50	43.00
DSSB-CG-A2-63S	A2 63S	M63	2 ½"	15	42.50	50.00
DSSB-CG-A2-63L	A2 63L	M63	2 ½"	15	49.50	55.00
DSSB-CG-A2-75S	A2 75S	M75	3"	15	54.50	61.00
DSSB-CG-A2-75L	A2 75L	M75	3"	15	60.50	67.00
DSSB-CG-A2-90L	A2 90L	M90	3 ½"	20	65.00	78.00

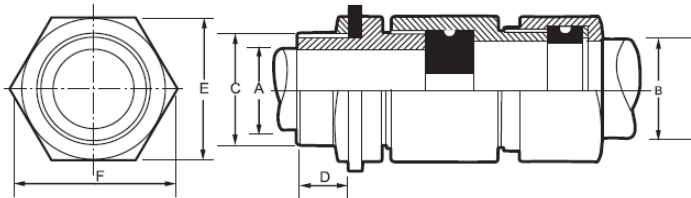
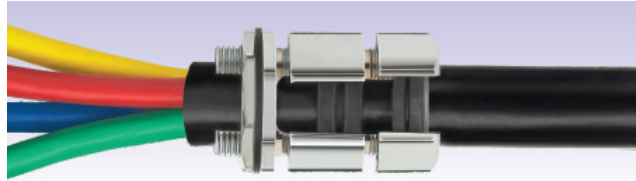
*Also available in Kit Packing and as per the specification

*All Dimension are in Millimeters

Size	: 20mm to 90mm S&L
Standard	: BS 6121
IP Rating	: IP66 & IP68
Application	: Indoor or outdoor for use with all types of Unarmoured Cable.
Function	: A2 type glands provide a single pull resistant seal on the outer sheath of unarmoured and braided armoured cable
Material	: Brass BS 2874 CZ121 Pb3
Threads	: ISO Metric , National Pipe Thread (NPT), British standard Pipe (BSP)
Finish	: Natural Brass Finish, Nickel Finish
Operating Temp.	: Standard seals -20°C to +80°C
Accessories	: Matching Accessories available like PVC Shrouds, Lock Nuts & Earth Tag

[Click Here For Product Flyer](#)

A2 DC WEATHERPROOF TYPE DOUBLE COMPRESSION CABLE GLAND SUITABLE FOR UN-ARMOURED CABLE

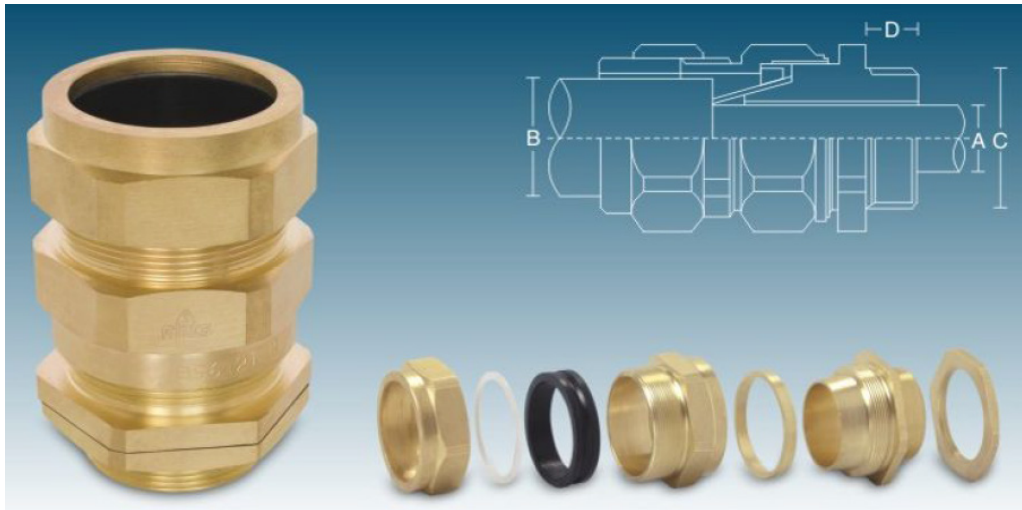


Item Code	A&B Cable Range		Entry Thread		E (Across Flat) mm	F (Across Corner) mm
	Min	Max	C (Inches)	D (Length) mm		
DSSB-A2DC-CBW01SS (UN)	5.0	13.0	3/4"	15.0	21.5	24.5
DSSB-A2DC-CBW01S (UN)	12.6	14.5	3/4"	15.0	25.0	29.0
DSSB-A2DC-CBW01A (UN)	14.6	18.0	1"	15.0	28.0	32.0
DSSB-A2DC-CBW02 (UN)	18.1	20.0	1"	15.0	31.5	36.5
DSSB-A2DC-CBW03SP (UN)	20.1	23.0	M28	15.0	32.0	37.0
DSSB-A2DC-CBW04A (UN)	22.6	26.0	1.1/4"	15.0	38.0	44.0
DSSB-A2DC-CBW05A (UN)	26.1	30.0	1.1/2"	15.0	41.0	47.0
DSSB-A2DC-CBW06SP (UN)	30.1	33.0	M40	15.0	47.0	54.0
DSSB-A2DC-CBW07SP (UN)	33.1	36.0	M42	15.0	52.0	58.0
DSSB-A2DC-CBW08 (UN)	36.1	41.0	2"	15.0	56.0	64.0
DSSB-A2DC-CBW09 (UN)	41.1	44.0	2"	15.0	59.0	67.0
DSSB-A2DC-CBW10A (UN)	44.1	52.0	2"	20.0	66.5	77.0
DSSB-A2DC-CBW11S (UN)	52.1	56.0	2.1/2"	20.0	74.0	85.0
DSSB-A2DC-CBW11SP (UN)	56.1	60.0	M70	20.0	80.0	92.0
DSSB-A2DC-CBW12 (UN)	60.1	66.0	3"	20.0	85.0	97.0
DSSB-A2DC-CBW13A (UN)	66.1	68.0	3"	20.0	90.0	103.0
DSSB-A2DC-CBW13 (UN)	68.1	74.0	3.1/4"	20.0	98.0	103.0
DSSB-A2DC-CBW14 (UN)	74.1	80.0	3.1/2"	20.0	105.0	122.0
DSSB-A2DC-CBW15 (UN)	81.0	90.0	4"	20.0	117.0	135.0

- Standard : BS EN 62444 : 2013
- IP Rating : IP65
- Material : Brass, Alternative material - Stainless Steel / Aluminium
: Sealing Ring - Neoprene Rubber
- Finishing : Nickel Plated (Standard) , Alternative Plating - Tin/Cadmium/Chrome
- Thread : Glands are supplied with B.S.C. thread (ET) as standard.
: Alternative thread Form - NPT/PG/BSP/MM etc
- Accessories : Shroud, Serrated Washer & Earth Tag are supplied separately and should be specified when ordering the gland.
- Specification : Gland consist of Locknut (1), Washer (2), Armour Clamping Nut (3), Neoprene Inner Ring (4), Gland Body (5), Neoprene Outer Ring (6), Skid Washer (7) & Outer Seal Nut (8).
All metal parts are made of brass accurately machined for ease of assembly.

[Click Here For Product Flyer](#)

BRASS CABLE GLANDS "CW" TYPE C/W LOCK NUT



ATCAB®

Item Code	Gland Size	Thread Size 'C' Metric	Minimum Length Of Thread 'D'	Cable Range	
				Max 'A'	Max 'B'
DSSB-CG-CW20S	20S	M20	10	11.50	15.50
DSSB-CG-CW20L	20L	M20	10	14.00	20.50
DSSB-CG-CW25S	25S	M25	10	18.00	24.00
DSSB-CG-CW25L	25L	M25	10	20.00	27.20
DSSB-CG-CW32S	32S	M32	10	26.30	33.50
DSSB-CG-CW32L	32L	M32	10	26.30	33.50
DSSB-CG-CW40S	40S	M40	13	31.50	39.50
DSSB-CG-CW40L	40L	M40	13	32.00	40.00
DSSB-CG-CW50S	50S	M50	13	38.20	46.30
DSSB-CG-CW50L	50L	M50	13	44.00	52.60
DSSB-CG-CW63S	63S	M63	14	50.10	59.00
DSSB-CG-CW63L	63L	M63	14	56.00	65.30
DSSB-CG-CW75S	75S	M75	15	62.00	71.60
DSSB-CG-CW75L	75L	M75	15	68.00	78.00
DSSB-CG-CW90S	90S	M90	18	80.50	91.00
DSSB-CG-CW90L	90L	M90	18	80.50	91.00

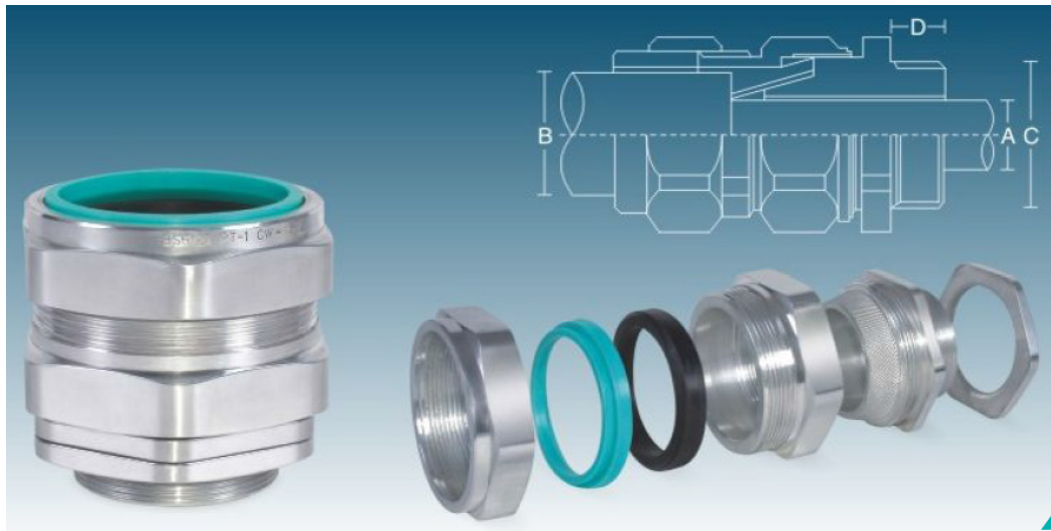
*All Dimension are in Millimeters

*Also available upon request with longer thread (MOQ applied)

Standard	: BS 6121, IEC 62444, EN 62444, EN50262
IP Rating	: IP65
Material	: Brass BS 2874 CZ121 Pb3
Finishing	: Natural Brass Finish, Nickel Finish.
Application	: For indoor or outdoor use with all types of SWA Cable.
Operating Temp.	: Standard seals -20°C to +80°C
Function	: CW type glands provide seal on the outer sheath and an armour specific armour clamp armour specific armour clamp for armoured cable. The armour clamp provides an electrical bond armour clamp provides an electrical bond armour cable and the gland

[Click Here For Product Flyer](#)

ALUMINIUM CABLE GLANDS



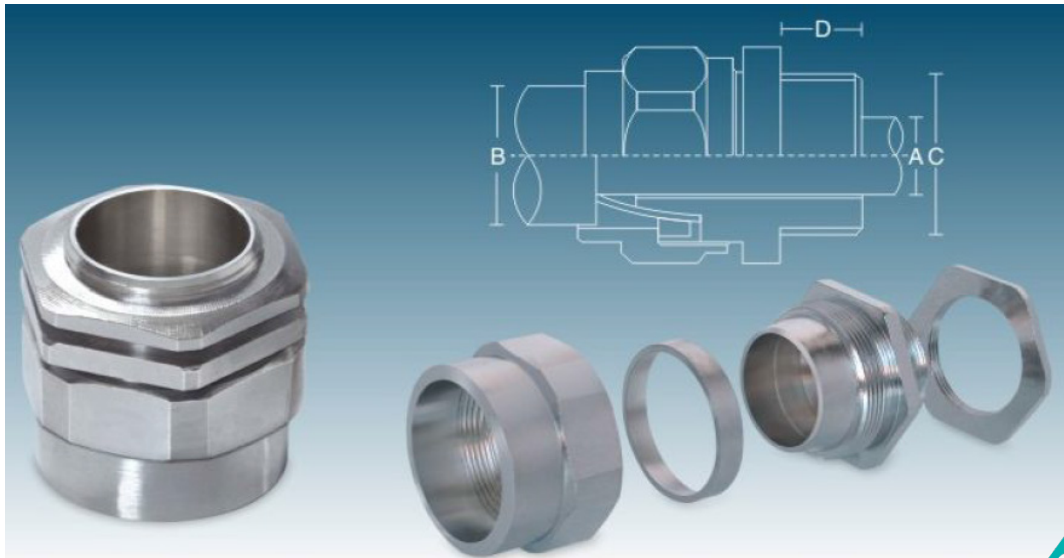
ATCAB®

Item Code	Gland Size	Thread Size 'C' Metric	Minimum Length Of Thread 'D'	Cable Range	
				Max 'A'	Max 'B'
DSSB-CG-AL-20S	CW 20S	M20	10	11.80	15.80
DSSB-CG-AL-20L	CW 20L	M20	10	14.00	20.80
DSSB-CG-AL-25S	CW 25S	M25	10	18.00	24.00
DSSB-CG-AL-25L	CW 25L	M25	10	20.00	27.20
DSSB-CG-AL-32S	CW 32S	M32	10	24.50	31.00
DSSB-CG-AL-32L	CW 32L	M32	10	26.30	33.50
DSSB-CG-AL-40S	CW 40S	M40	15	30.40	38.50
DSSB-CG-AL-40L	CW 40L	M40	15	32.20	40.00
DSSB-CG-AL-50S	CW 50S	M50	15	38.20	46.30
DSSB-CG-AL-50L	CW 50L	M50	15	44.00	52.60
DSSB-CG-AL-63S	CW 63S	M63	15	50.00	59.00
DSSB-CG-AL-63L	CW 63L	M63	15	56.00	65.30
DSSB-CG-AL-75S	CW 75S	M50	15	62.00	67.60
DSSB-CG-AL-75L	CW 75L	M75	15	68.00	78.00
DSSB-CG-AL-90S	CW 90S	M90	20	84.00	96.00
DSSB-CG-AL-90L	CW 90L	M90	20	84.00	102.00

**All Dimension are in Millimeters*

- Standard : BS 6121
 IP Rating : IP66
 Material : Aluminium
 Finishing : Natural Aluminium Finish.
 Application : For indoor or outdoor use with all types of SWA Cable
 Operating Temp. : Standard seals -20°C to +80°C
 Function : CW type glands provide a seal on the outer sheath and an armour specific armour clamp for the armoured cable. The armour clamp provides an electrical bond between the armour cable and the gland.

ALCO TYPE CABLE GLANDS



ATCAB®

Cable Glands

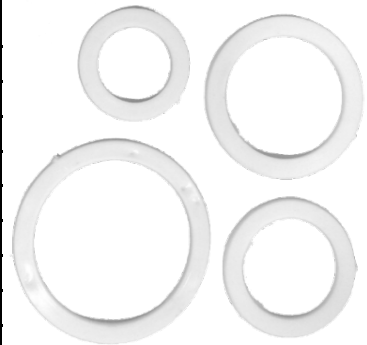
Item Code	Gland Size	Thread Size 'C' Metric	Minimum Length Of Thread 'D'	Cable Range	
				Max 'A'	Max 'B'
DSSB-CG-ALCO-204	G-204	M20	9	12.5	17
DSSB-CG-ALCO-206	G-206	M20	9	14.5	20
DSSB-CG-ALCO-254	G-254	M25	9	16	22
DSSB-CG-ALCO-256	G-256	M25	10	18.5	24
DSSB-CG-ALCO-324	G-324	M32	10	23.5	29.5
DSSB-CG-ALCO-326	G-326	M32	10	27.5	34
DSSB-CG-ALCO-405	G-405	M40	13	33.5	41.5
DSSB-CG-ALCO-503	G-503	M50	13	39.5	48.5
DSSB-CG-ALCO-505	G-505	M50	13	44.5	54.5
DSSB-CG-ALCO-636	G-636	M63	14	56	66
DSSB-CG-ALCO-753	G-753	M75	15	64	75.5
DSSB-CG-ALCO-755	G-755	M75	15	68	78

**All Dimension are in Millimeters*

Standard : BS 6121
 IP Rating : IP30
 Material : Brass BS 2874 CZ121 Pb3
 Finishing : Material Brass Finish, Nickel Finish.
 Application : For dry indoor use with all types of SWA Cable
 Operating Temp. : -80°C to +600°C
 Function : Provide mechanical cable Retention & Electric Wire continuity via Armoured Wire.

SEALING WASHER / ENTRY THREAD SEALS

Item Code	Size	Standard Entry Thread (mm)	Dimension (mm)		
			A	B	C
AT-FW-20/16	20/16	20	21.5	28.5	1.5
AT-FW-20 S	20 S	20	21.5	28.5	1.5
AT-FW-20	20	20	21.5	28.5	1.5
AT-FW-25	25	25	26.5	36.5	1.5
AT-FW-32	32	32	33.5	44	1.5
AT-FW-40	40	40	42	52	1.5
AT-FW-50 S	50 S	50	50	62	2.5
AT-FW-50 L	50 L	50	50	62	2.5
AT-FW-63 S	63 S	63	63	72	2
AT-FW-63 L	63 L	63	63	72	2
AT-FW-75 S	75 S	75	75.5	86	2
AT-FW-75 L	75 L	75	75.5	86	2
AT-FW-90	90	90	90	104	2.5



*All Dimension are in Millimeters

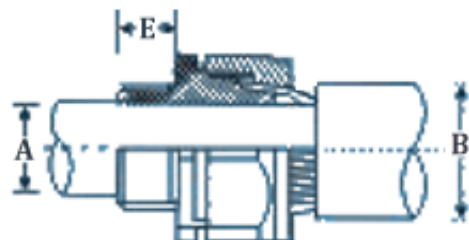
- Material : Nylon
 Colour : White
 Application : For use on cable gland entry threads.
 Features : To maintain ingress protection rating at the enclosure.
 Retaining 'pips' make nylon washer captive on metric cable gland entry thread.

G GLAND NICKEL PLATED (CHROME)

Item Code	Gland Size	Entry Thread Lgth. Min. E	Dia. Max.	
			A	B
DSSB-CG-G204	G-204	9	11.50	17.00
DSSB-CG-G206	G-206	9	13.80	20.00
DSSB-CG-G254	G-254	9	16.30	22.50
DSSB-CG-G256	G-256	9	18.80	26.00
DSSB-CG-G324	G-324	10	22.80	30.00
DSSB-CG-G326	G-326	10	26.50	33.00
DSSB-CG-G405	G-405	12	32.50	41.50
DSSB-CG-G503	G-503	15	39.00	49.00
DSSB-CG-G505	G-505	15	44.50	55.00
DSSB-CG-G636	G-636	15	56.00	67.50
DSSB-CG-G753	G-753	17	61.00	72.50
DSSB-CG-G755	G-755	17	67.50	79.00

*All Dimension are in Millimeters

- Standard : B.S. 6121-1: 2005 ; EN50262 ; Directives 2006/95/EC
 Application : Dry Indoor for use with all type of SWA Cables
 IP Rating : IP30
 Finishing : Nickel plated Finish



BRASS EARTH TAG

Item Code	Size	'A'	'B'	'C'	'D'	'E'	'F'
DSSB-CG-AT-ETM20	M20	29	20.5	13	6.5	27	1.5
DSSB-CG-AT-ETM25	M25	37	25.5	13	6.5	33	1.5
DSSB-CG-AT-ETM32	M32	44	32.5	16	6.5	39	1.5
DSSB-CG-AT-ETM40	M40	52	40.5	16	6.5	44	1.5
DSSB-CG-AT-ETM50	M50	64	50.5	16	6.5	51	1.5
DSSB-CG-AT-ETM63	M63	80	63.5	23	6.5	65	1.5
DSSB-CG-AT-ETM75	M75	96	75.5	24	6.5	73	1.5
DSSB-CG-AT-ETM90	M90	114	90.5	37	6.5	86	1.5

*All Dimension are in Millimeters

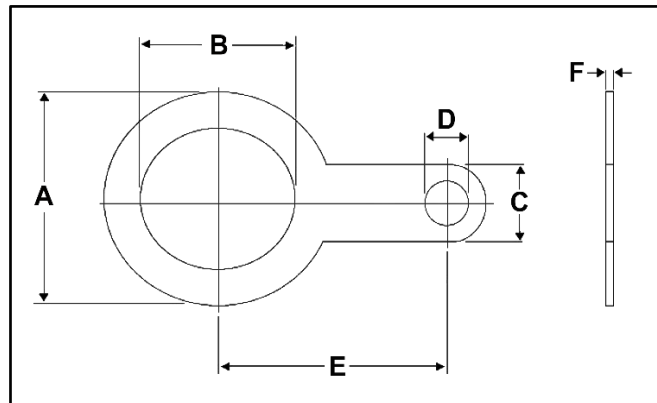


ATCAB®

Application : Provides an earth bond attachment for a cable gland

Material & Finish : Earth tags are manufactured in Brass (standard)

Stainless Steel earth tags are available, but dimension may differ slightly to those stated in the selection table.



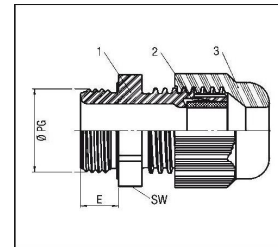
PG CABLE GLAND SELECTION CHART



Cable Size MM	Single Core	Number of Cores										
		2	3	4	5	7	10	12	19	27	37	48
1.5	N/A	20S	20S	20S	20S	20S	20	20	25	32	32	32
2.5	N/A	20S	20S	20S	20S	20	25	25	25	32	40	40
4	N/A	20S	20S	20	20	25	25	32	32	40	40	50
6	N/A	20	20	20	20	25	32	32	-	-	-	-
10	N/A	20	25	25	25	25	32	32	-	-	-	-
16	N/A	25	25	25	25	32	-	-	-	-	-	-
25	N/A	25	25	32	32	40	-	-	-	-	-	-
35	N/A	32	32	32	40	-	-	-	-	-	-	-
50	20	25	32	32	50	-	-	-	-	-	-	-
70	20	32	32	40	50	-	-	-	-	-	-	-
95	25	32	40	50S	-	-	-	-	-	-	-	-
120	25	40	50S	50	-	-	-	-	-	-	-	-
150	32	40	50S	50	-	-	-	-	-	-	-	-
185	32	50S	50	63S	-	-	-	-	-	-	-	-
240	32	50	63S	63	-	-	-	-	-	-	-	-
300	40	63S	63	75S	-	-	-	-	-	-	-	-
400	40	63S	75S	75	-	-	-	-	-	-	-	-

PG CABLE GLAND (PG-THREAD)

Item Code	Gland Size	Clamping Range (mm)	E (mm)	SW (mm)
DSSB-CG-PG7GY	PG 7	2.5 - 6.5	8.0	12.5
DSSB-CG-PG9GY	PG 9	2.5 - 8.0	8.0	15.2
DSSB-CG-PG11GY	PG 11	3.5 - 10.0	8.0	18.6
DSSB-CG-PG13GY	PG 13	5.0 - 12.0	9.0	20.4
DSSB-CG-PG16GY	PG 16	7.0 - 14.5	10.0	22.5
DSSB-CG-PG21GY	PG 21	9.0 - 18.0	11.0	28.3
DSSB-CG-PG29GY	PG 29	14.0 - 25.0	11.0	37.0
DSSB-CG-PG36GY	PG 36	18.0 - 32.0	13.0	47.0
DSSB-CG-PG42GY	PG 42	24.0 - 38.5	13.0	54.0
DSSB-CG-PG48GY	PG 48	35.0 - 48.0	14.0	59.3



Material:

~ 1/3: Gland element/Cap nut: Polyamide
 ~ 2: Seal: Neoprene

Characteristics:

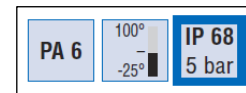
~ PG-Thread

Applications:

~ Machine and devices

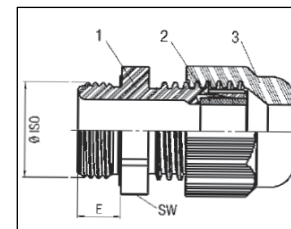
Features:

~ maximum traction relief through clamp lamella
 ~ seal-tight to enclosure rack through sealing ring
 ~ trapexoidal thread with high torque of the cap nut guarantees tight and permanent fit
 ~ also available with reduction insert
 ~ gas and water-tight
 ~ free of halogen



PG CABLE GLAND (METRIC-THREAD)

Item Code	Gland Size	Clamping Range (mm)	E (mm)	SW (mm)
DSSB-CG-PGM1215	M12 x 1.5	2.5 - 6.5	8.0	12.5
DSSB-CG-PGM16159	M16 x 1.5/9	2.5 - 8.0	10.0	15.2
DSSB-CG-PGM161511	M16 x 1.5/11	3.5 - 10.0	10.0	18.6
DSSB-CG-PGM201513	M20 x 1.5/13	5.0 - 12.0	10.0	20.4
DSSB-CG-PGM201516	M20 x 1.5/16	7.0 - 14.0	10.0	22.5
DSSB-CG-PGM251521	M25 x 1.5/21	9.0 - 18.0	10.0	28.3
DSSB-CG-PGM3215	M32 x 1.5	14.0 - 25.0	10.0	37.0
DSSB-CG-PGM4015	M40 x 1.5	18.0 - 32.0	10.0	47.0
DSSB-CG-PGM5015	M50 x 1.5	24.0 - 38.5	12.0	54.0
DSSB-CG-PGM6315	M63 x 1.5	35.0 - 48.0	12.0	59.3



Material:

~ 1/3: Gland element/Cap nut: Polyamide
 ~ 2: Seal: Neoprene

Characteristics:

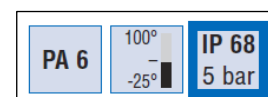
~ Metric Thread, short

Applications:

~ Machine and devices

Features:

~ maximum traction relief through clamp lamella
 ~ seal-tight to enclosure rack through sealing ring
 ~ trapexoidal thread with high torque of the cap nut guarantees tight and permanent fit
 ~ also available with reduction insert
 ~ gas and water-tight
 ~ free of halogen



PVC Coated Flexible Conduit

Item Code	Size	Inside Dia.(mm)		Outside Dia.(mm)	
		Min	Max	Min	Max
DSSB-MSC-FXPGIC	1"	26	26.6	32.7	33.4
	1-1/4"	34.7	35.4	41.4	42.2
	1-1/2"	40	40.6	47.4	48.3
	2"	51.3	51.9	59.4	60.3
Other size - Please contact us					



Color : Black

1 Coil : 15m

Flexible Conduit Glands / Adapter

Item Code	Size
DSSB-CG-FXADP	1"
	1-1/4"
	1-1/2"
	2"



Flexible Conduit Joint / Connector

Item Code	Size
DSSB-CG-FXCON	1"
	1-1/4"
	1-1/2"
	2"



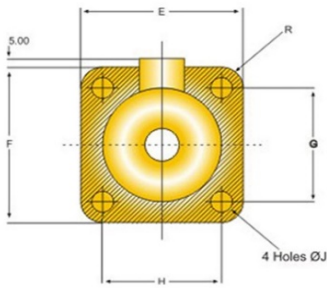
WIPING GLANDS

ITEM CODE	GLAND SIZE (TYPE)	DIA. OVER METAL SHEATH OF CABLE (mm)	OVERALL DIAMETER 'A'									
			A	B	ØC	ØD	E	F	G	H	ØJ	R
DSSB-CG-WGX	X	12 to 51	137	90	60	19	90	90	66	66	12	12
DSSB-CG-WGY	Y	25 to 78	155	97	91	33	114	123	96	87	14	12
DSSB-CG-WGZ	Z	25 to 94	195	140	108	32	190	100	-	-	14	-

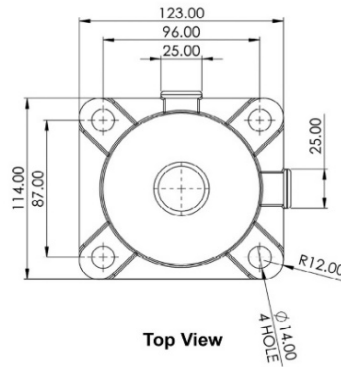
Material : Brass
Finishing : Natural



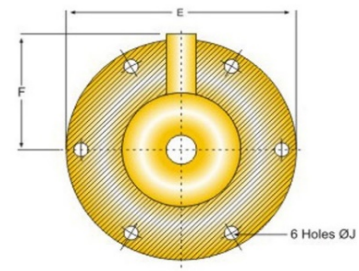

Cable Glands



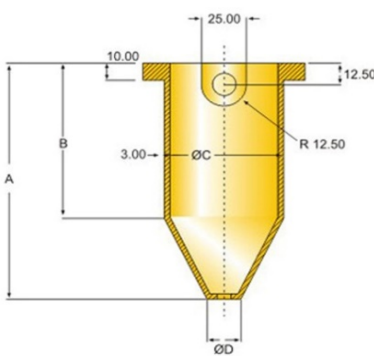
Top View



Top View

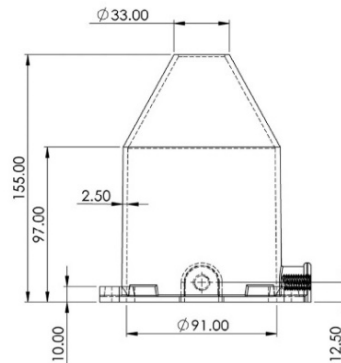


Top View



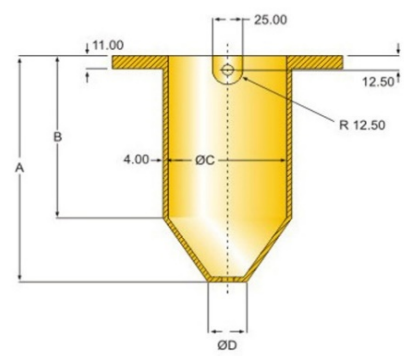
Front View

Wiping Gland X-Type



Front View

Wiping Gland Y-Type



Front View

Wiping Gland Z-Type

PVC Corrugated Flexible Conduit

Item Code	Diameter (mm)	Length (m)
DSSB-CG-CFXC20-5	20	5
DSSB-CG-CFXC20-10	20	10
DSSB-CG-CFXC20-20	20	20
DSSB-CG-CFXC25-5	25	5
DSSB-CG-CFXC25-10	25	10
DSSB-CG-CFXC25-20	25	20

Material : PVC
Colour : Black



Corrugated Conduit Adaptor (Clip Type)

Item Code	Size (mm)
DSSB-CG-PCCA-C-20	20
DSSB-CG-PCCA-C-25	25

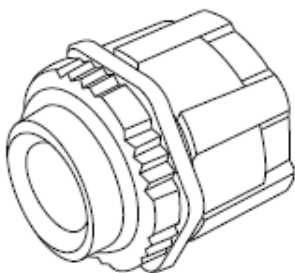
Colour : White / Orange / Black



Corrugated Conduit Adaptor (Screw Type)

Item Code	Size (mm)
DSSB-CG-PCCA-16 *	16 *
DSSB-CG-PCCA-20	20
DSSB-CG-PCCA-25	25
DSSB-CG-PCCA-32 *	32 *
DSSB-CG-PCCA-40 *	40 *
DSSB-CG-PCCA-50 *	50 *

Colour : White / Orange / Black
Black Only (*)



PVC SHROUDS

Item Code	Size
DSSB-CG-SHRD-M20S-LSF	20S
DSSB-CG-SHRD-M20L-LSF	20L
DSSB-CG-SHRD-M25S-LSF	25S
DSSB-CG-SHRD-M25L-LSF	25L
DSSB-CG-SHRD-M32S-LSF	32S
DSSB-CG-SHRD-M32L-LSF	32L
DSSB-CG-SHRD-M40S-LSF	40S
DSSB-CG-SHRD-M40L-LSF	40L
DSSB-CG-SHRD-M50S-LSF	50S
DSSB-CG-SHRD-M50L-LSF	50L
DSSB-CG-SHRD-M63S-LSF	63S
DSSB-CG-SHRD-M63L-LSF	63L
DSSB-CG-SHRD-M75S-LSF	75S
DSSB-CG-SHRD-M75L-LSF	75L
DSSB-CG-SHRD-M90L-LSF	90L

***PVC + LSF

Item Code	Size
DSSB-CG-SHRD-M20S	20S
DSSB-CG-SHRD-M20L	20L
DSSB-CG-SHRD-M25S	25S
DSSB-CG-SHRD-M25L	25L
DSSB-CG-SHRD-M32S	32S
DSSB-CG-SHRD-M32L	32L
DSSB-CG-SHRD-M40S	40S
DSSB-CG-SHRD-M40L	40L
DSSB-CG-SHRD-M50S	50S
DSSB-CG-SHRD-M50L	50L
DSSB-CG-SHRD-M63S	63S
DSSB-CG-SHRD-M63L	63L
DSSB-CG-SHRD-M75S	75S
DSSB-CG-SHRD-M75L	75L
DSSB-CG-SHRD-M90L	90L

***PVC



Application:

Push on shrouds which are used to minimize the risk of dirt or foreign substances gathering on the Cable Gland Body, and/or point of cable to a gland interface.

Function:

For all type of gland application to provide additional protection & enhance the IP rating of the gland termination.

Colour:

Black, Grey, Green & Red

BLANKING CAP- PLASTIC TYPE (FOR COVERING THE GLAND HOLES)

Item Code	Size
DSSB-CG-BC-M20	M20
DSSB-CG-BC-M25	M25
DSSB-CG-BC-M32	M32
DSSB-CG-BC-M40	M40
DSSB-CG-BC-M50	M50
DSSB-CG-BC-M63	M63

~ It is used to block off an aperture in a panel. Blind and Plug grommets are typically used when a hole has been stamped into a panel for future use, however, at the time of production, or energisation the hole(s) needs to be sealed.



BLANKING CAP- RUBBER TYPE (FOR COVERING THE GLAND HOLES)

Item Code	Size
DSSB-CG-RPM20	M20
DSSB-CG-RPM25	M25
DSSB-CG-RPM32	M32
DSSB-CG-RPM40	M40

***other size- please contact us

~ It is used to block off an aperture in a panel. Blind and Plug grommets are typically used when a hole has been stamped into a panel for future use, however, at the time of production, or energisation the hole(s) needs to be sealed.



Delta Sama Jaya Sdn.Bhd.



DELTA SAMA JAYA
www.substation.com.my

We are constantly reviewing and updating our products,
for the latest information please call us on (+603) 9281 3778
or visit our website at: www.substation.com.my