

CABLE CONNECTORS



Tab 9

PURE COPPER TIN PLATED CABLE LUG

Specification:

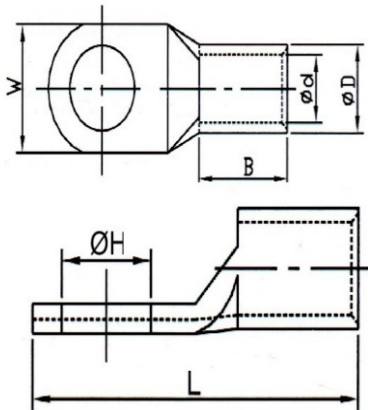
Material: T2 / 99.95% Original Pure Copper

Finish: Tin Plated

Compliance: *B.S. (British Standard)
*JLS (Japan)
*DIN (Germany)
*ANSI (U.S.A.)



ITEM CODE	SIZE (mm ²)	HOLE SIZE		DIMENSIONS (mm)				
			ØH	W	B	L	ØD	Ød
DSSB-CNT-LUG1.5M5	1.5	M5	5.2mm	8.5	6.0	18.5	3.5	2.5
DSSB-CNT-LUG2.5M5	2.5	M5	5.2mm	10.0	7.0	20.0	4.0	3.0
DSSB-CNT-SSLUG2.5M6		M6	6.4mm	10.0	7.0	20.0	4.0	3.0
DSSB-CNT-SSLUG2.5M8	4	M8	8.4mm	12.5	7.0	23.0	4.0	3.0
DSSB-CNT-SSLUG4M5		M5	5.2mm	9.0	8.0	21.5	4.8	3.5
DSSB-CNT-LUG4.0M6	6	M6	6.4mm	9.0	8.0	21.5	4.8	3.5
DSSB-CNT-SSLUG4.0M8		M8	8.4mm	11.5	8.0	21.0	4.8	3.5
DSSB-CNT-LUG6M6	10	M6	6.4mm	9.0	9.0	25.0	5.5	4.1
DSSB-CNT-SSLUG6.0M8		M8	8.4mm	11.0	9.0	25.0	5.5	4.1
DSSB-CNT-SSLUG6.0M10		M10	10.5mm	15.0	9.0	28.0	5.5	4.1
DSSB-CNT-LUG10M6	16	M6	6.4mm	10.0	9.0	25.0	6.7	5.0
DSSB-CNT-SSLUG10M8		M8	8.4mm	12.0	9.0	25.5	6.7	5.0
DSSB-CNT-SSLUG10M10		M10	10.5mm	14.5	11.0	28.5	6.7	5.0
DSSB-CNT-SSLUG16M6	25	M6	6.4mm	11.0	11.5	30.0	7.5	5.8
DSSB-CNT-LUG16M8		M8	8.4mm	12.0	11.5	30.0	7.5	5.8
DSSB-CNT-SSLUG16M10		M10	10.5mm	14.5	11.5	31.0	7.5	5.8
DSSB-CNT-SSLUG16M12		M12	12.5mm	17.5	11.5	32.0	7.5	5.8
DSSB-CNT-SSLUG25M6	35	M6	6.4mm	13.5	12.0	32.0	9.0	7.2
DSSB-CNT-LUG25M8		M8	8.4mm	13.5	12.0	32.0	9.0	7.2
DSSB-CNT-SSLUG25M10		M10	10.5mm	13.5	12.0	32.0	9.0	7.2
DSSB-CNT-SSLUG25M12		M12	12.5mm	18.0	12.0	35.0	9.0	7.2
DSSB-CNT-SSLUG35M6	10	M6	6.4mm	15.5	16.0	37.5	10.5	8.5
DSSB-CNT-SSLUG35M8		M8	8.4mm	15.5	16.0	37.5	10.5	8.5
DSSB-CNT-LUG35M10		M10	10.5mm	15.5	16.0	37.5	10.5	8.5
DSSB-CNT-SSLUG35M12		M12	12.5mm	16.5	16.0	38.0	10.5	8.5
DSSB-CNT-SSLUG35M16		M16	16.5mm	22.0	16.0	44.0	10.5	8.5



PURE COPPER TIN PLATED CABLE LUG

Specification:

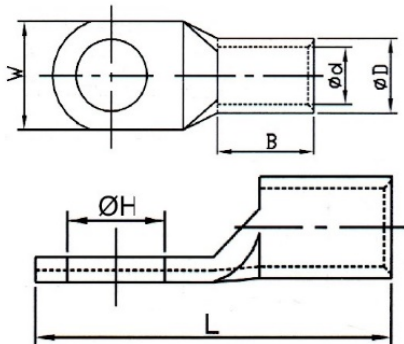
Material: T2 / 99.95% Original Pure Copper

Finish: Tin Plated

Compliance: *B.S. (British Standard)
 *JLS (Japan)
 *DIN (Germany)
 *ANSI (U.S.A.)



ITEM CODE	SIZE (mm ²)	HOLE SIZE		DIMENSIONS (mm)				
			ØH	W	B	L	ØD	Ød
DSSB-CNT-SSLUG50M8	50	M8	8.4mm	18.4	18.0	44.5	12.5	10.1
DSSB-CNT-LUG50M10		M10	10.5mm	18.4	18.0	44.5	12.5	10.1
DSSB-CNT-SSLUG50M12		M12	12.5mm	18.4	18.0	44.5	12.5	10.1
DSSB-CNT-SSLUG70M8	70	M8	8.4mm	21.0	20.5	49.0	14.5	11.7
DSSB-CNT-SSLUG70M10		M10	10.5mm	21.0	20.5	49.0	14.5	11.7
DSSB-CNT-LUG70M12		M12	12.5mm	21.0	20.5	49.0	14.5	11.7
DSSB-CNT-SSLUG70M16		M16	16.5mm	21.0	20.5	49.0	14.5	11.7
DSSB-CNT-SSLUG95M8	95	M8	8.4mm	25.0	22.0	54.5	17.0	13.8
DSSB-CNT-SSLUG95M10		M10	10.5mm	25.0	22.0	54.5	17.0	13.8
DSSB-CNT-LUG95M12		M12	12.5mm	25.0	22.0	54.5	17.0	13.8
DSSB-CNT-SSLUG95M16		M16	16.5mm	25.0	22.0	58.0	17.0	13.8
DSSB-CNT-SSLUG120M8	120	M8	8.4mm	28.5	25.0	61.0	19.5	15.9
DSSB-CNT-SSLUG120M10		M10	10.5mm	28.5	25.0	61.0	19.5	15.9
DSSB-CNT-LUG120M12		M12	12.5mm	28.5	25.0	61.0	19.5	15.9
DSSB-CNT-SSLUG120M16		M16	16.5mm	28.5	25.0	61.0	19.5	15.9
DSSB-CNT-SSLUG150M8	150	M8	8.4mm	30.0	27.0	68.0	20.5	16.7
DSSB-CNT-SSLUG150M10		M10	10.5mm	30.0	27.0	68.0	20.5	16.7
DSSB-CNT-SSLUG150M12		M12	12.5mm	30.0	27.0	68.0	20.5	16.7
DSSB-CNT-LUG150M16		M16	16.5mm	30.0	27.0	68.0	20.5	16.7
DSSB-CNT-SSLUG185M10	185	M10	10.5mm	33.5	30.0	76.5	25.3	19.1
DSSB-CNT-SSLUG185M12		M12	12.5mm	33.5	30.0	76.5	25.3	19.1
DSSB-CNT-LUG185M16		M16	16.5mm	33.5	30.0	76.5	25.3	19.1
DSSB-CNT-SSLUG240M12	240	M12	12.5mm	38.0	33.0	88.5	26.0	21.4
DSSB-CNT-LUG240M16		M16	16.5mm	38.0	33.0	88.5	26.0	21.4
DSSB-CNT-LUG300M16	300	M16	16.5mm	43.0	40.0	99.0	30.0	24.6
DSSB-CNT-LUG400M16	400	M16	16.5mm	49.5	46.0	112.0	34.0	27.4
DSSB-CNT-LUG500M20	500	M20	20.5mm	55.0	51.0	122.0	38.0	30.8
DSSB-CNT-LUG630M20	630	M20	20.5mm	65.0	55.0	134.0	45.0	35.6



CABLE CONNECTORS

NON-INSULATED SPADE TERMINALS

Specification:

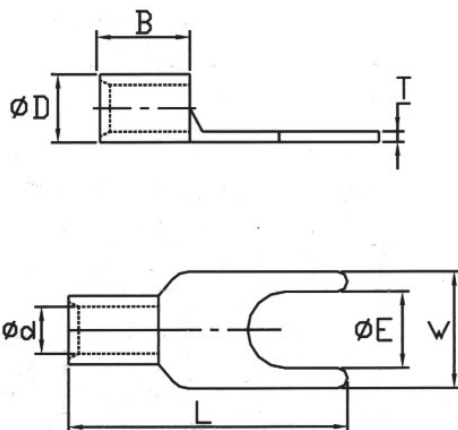
Material: T2 / 99.95% Original Pure Copper

Finish: Tin Plated

Compliance: *B.S. (British Standard)
*JLS (Japan)
*DIN (Germany)
*ANSI (U.S.A.)



ITEM CODE	WIRE RANGE (mm ²) #AWG	Hole Size	DIMENSIONS (mm)			
		ØE	W	B	L	
DSSB-CNT-1.25-3YS	(0.25 - 1.65)	3.7	5.7	4.5	16.0	
DSSB-CNT-1.25-3YW		3.7	6.2			
DSSB-CNT-1.25-3YSA		3.2	5.7			
DSSB-CNT-1.25-4YS		22 - 16	4.3			6.4
DSSB-CNT-1.25-4YW			4.3			7.2
DSSB-CNT-1.25-5Y			5.3			8.0
DSSB-CNT-1.25-6Y			6.7			10.7
DSSB-CNT-2-3YSA	(1.04 - 2.63)	3.2	5.7	4.5	16.0	
DSSB-CNT-2-3YS		3.7	5.7			
DSSB-CNT-2-3YW		3.7	6.2			
DSSB-CNT-2-4YS		16 - 14	4.3			6.4
DSSB-CNT-2-4YW			4.3			7.2
DSSB-CNT-2-5Y			5.3			8.0
DSSB-CNT-2-6Y			6.7			10.7
DSSB-CNT-3.5-4Y	(2.63 - 4.60)	4.3	8.0	6.5	18.0	
DSSB-CNT-3.5-5Y		12 - 10	5.3	8.0	6.3	24.0
DSSB-CNT-3.5-6Y			6.7	12.0		
DSSB-CNT-5.5-3Y	(4.60 - 6.64)	3.7	8.2	6.5	19.5	
DSSB-CNT-5.5-4Y		4.3	8.2			
DSSB-CNT-5.5-5Y		12 - 10	5.3			9.0
DSSB-CNT-5.5-6Y			6.4			12.0
DSSB-CNT-8-5Y	(6.64 - 10.52)	5.3	9.0	8.6	23.5	
DSSB-CNT-8-6Y	8	6.7	12.0		24.0	
DSSB-CNT-14-5Y	(10.52 - 16.78)	5.3	12.0	10	27.5	
DSSB-CNT-14-6Y	10	6.7	12.0			



INSULATED RING TERMINALS

Specification:

Material: T2 / 99.95% Original Pure Copper

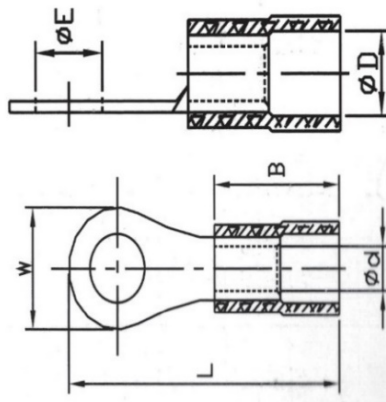
Finish: Tin Plated

Insulated Material: PVC

Compliance: *B.S. (British Standard)
*JLS (Japan)
*DIN (Germany)
*ANSI (U.S.A.)



ITEM CODE	Colour	WIRE RANGE (mm ²) #AWG	Hole Size ØE	DIMENSIONS (mm)				
				ØD	Ød	W	B	L
DSSB-CNT-VF1.25-3	RED	(0.25 - 1.65) 22 - 16	3.7	4	1.7	5.5	10.4	17.3
DSSB-CNT-VF1.25-3A			3.2			5.5		17.3
DSSB-CNT-VF1.25-3M			3.7			6.6		20.3
DSSB-CNT-VF1.25-4			4.3			8		21.8
DSSB-CNT-VF1.25-4M			4.3			6.6		20.3
DSSB-CNT-VF1.25-5			5.3			8		21.8
DSSB-CNT-VF1.25-6			6.4			11.6		27.5
DSSB-CNT-VF1.25-8			8.4			11.6		27.5
DSSB-CNT-VF1.25-10			10.5			13.6		31.8
DSSB-CNT-VF2-3			BLUE			(1.04 - 2.63) 16 - 14		3.7
DSSB-CNT-VF2-3A	3.2	8.5		22.3				
DSSB-CNT-VF2-3M	3.7	6.6		19.8				
DSSB-CNT-VF2-4	4.3	8.5		22.3				
DSSB-CNT-VF2-4M	4.3	6.6		19.8				
DSSB-CNT-VF2-5	5.3	9.5		22.3				
DSSB-CNT-VF2-6	6.4	12		27.3				
DSSB-CNT-VF2-8	8.4	12		27.3				
DSSB-CNT-VF2-10	10.5	13.6		30.8				



CABLE CONNECTORS

INSULATED RING TERMINALS

Specification:

Material: T2 / 99.95% Original Pure Copper

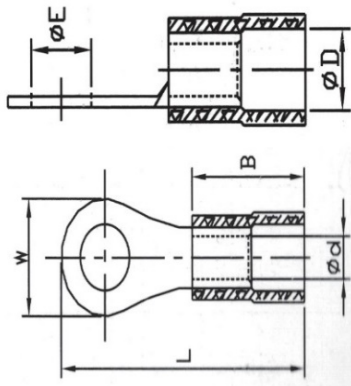
Finish: Tin Plated

Insulated Material: PVC

- Compliance:**
- *B.S. (British Standard)
 - *JLS (Japan)
 - *DIN (Germany)
 - *ANSI (U.S.A.)



ITEM CODE	Colour	WIRE RANGE (mm ²) #AWG	Hole Size	DIMENSIONS (mm)				
			ØE	ØD	Ød	W	B	L
DSSB-CNT-VF3.5-4	Yellow	(2.63 - 4.60)	4.3	5.6	3.2	9.5	13.3	26.3
DSSB-CNT-VF3.5-5			5.3			9.5		26.3
DSSB-CNT-VF3.5-6		12 - 10	6.4			12		27.7
DSSB-CNT-VF3.5-8			8.4			12		27.7
DSSB-CNT-VF5.5-3	Yellow	(4.60 - 6.64)	3.7	6.6	3.5	9.5	13.5	26.5
DSSB-CNT-VF5.5-4			4.3			9.5		26.5
DSSB-CNT-VF5.5-5			5.3			9.6		26.5
DSSB-CNT-VF5.5-6		12 - 10	6.4			12		32.5
DSSB-CNT-VF5.5-6S			6.4			12		29.2
DSSB-CNT-VF5.5-8			8.4			15		34.5
DSSB-CNT-VF5.5-10		10.5	15			34.5		
DSSB-CNT-VF5.5-12		13.2	18.2			35.2		
DSSB-CNT-VF8-3		Red	(6.64 - 10.52) 8			3.7		8.3
DSSB-CNT-VF8-4	4.3			10	30			
DSSB-CNT-VF8-5	5.3			10	30			
DSSB-CNT-VF8-6	6.4			11	31.5			
DSSB-CNT-VF8-8	8.4			14	36			
DSSB-CNT-VF8-10	10.5			18	39.5			
DSSB-CNT-VF8-12	13			18	39			



CABLE CONNECTORS

INSULATED SPADE TERMINALS

Specification:

Material: T2 / 99.95% Original Pure Copper

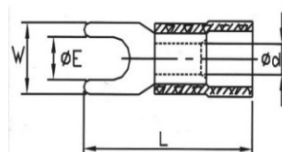
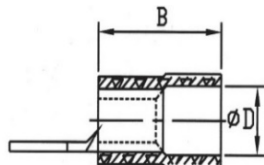
Finish: Tin Plated

Insulated Material: PVC

Compliance: *B.S. (British Standard)
 *JLS (Japan)
 *DIN (Germany)
 *ANSI (U.S.A.)



ITEM CODE	Colour	WIRE RANGE (mm ²) #AWG	Hole Size ØE	DIMENSIONS (mm)				
				ØD	Ød	W	B	L
DSSB-CNT-VF1.25-3YS	Red	(0.25 - 1.65) 22 - 16	3.7	4	1.7	5.7	10.4	21.8
DSSB-CNT-VF1.25-3YW			3.7			6.2		21.8
DSSB-CNT-VF1.25-3YS			3.2			5.7		21.8
DSSB-CNT-VF1.25-4YS			4.3			6.4		21.8
DSSB-CNT-VF1.25-4YW			4.3			7.2		21.8
DSSB-CNT-VF1.25-5Y			5.3			8.0		21.8
DSSB-CNT-VF1.25-6Y			6.7			10.7		21.8
DSSB-CNT-VF2-3YSA	Blue	(1.04 - 2.63) 16 - 14	3.2	4.6	2.3	5.7	10.4	21.8
DSSB-CNT-VF2-3YS			3.7			5.7		21.8
DSSB-CNT-VF2-3YW			3.7			6.2		21.8
DSSB-CNT-VF2-4YS			4.3			6.4		21.8
DSSB-CNT-VF2-4YW			4.3			7.2		21.8
DSSB-CNT-VF2-5Y			5.3			8.0		21.8
DSSB-CNT-VF2-6Y			6.7			10.7		24.8
DSSB-CNT-VF3.5-4Y	Yellow	(2.63 - 4.60) 12 - 10	4.3	5.6	3.2	8.0	13.3	24.8
DSSB-CNT-VF3.5-5Y			5.3			8.0		24.8
DSSB-CNT-VF3.5-6Y			6.7			12.0		30.8
DSSB-CNT-VF5.5-3Y	Yellow	(4.60 - 6.64) 12 - 10	3.7	6.6	3.5	8.2	13.6	26.5
DSSB-CNT-VF5.5-4Y			4.3			8.2		26.5
DSSB-CNT-VF5.5-5Y			5.3			9.0		26.5
DSSB-CNT-VF5.5-6Y			6.4			12.0		31.2
DSSB-CNT-VF5.5-8Y			8.4			15.0		34.5
DSSB-CNT-VF8-5Y	Red	(6.64 - 10.52) 8	5.3	8.3	4.5	9.0	17.5	32.0
DSSB-CNT-VF8-6Y			6.7			12.0		32.5
DSSB-CNT-VF14-5Y	Red	(10.52 - 16.78) 10	5.3	9.7	5.9	12.0	23	40.5
DSSB-CNT-VF14-6Y			6.7			12.0		40.5



CABLE CONNECTORS

INSULATED PIN TERMINALS

Specification:

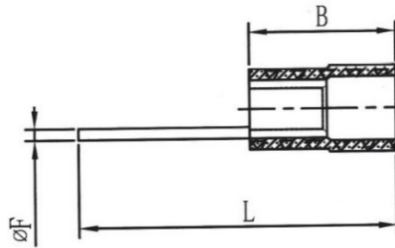
Material: T2 / 99.95% Original Pure Copper

Insulated Material: PVC **Finish:** Tin Plated

Compliance: *B.S. (British Standard) *DIN (Germany)
 *JLS (Japan) *ANSI (U.S.A.)



ITEM CODE	WIRE RANGE				DIMENSIONS (mm)		
	Colour	Single (mm)	Twine	AWG	ØF	L	B
DSSB-CNT-PIN1.25	Red	0.57 - 1.44	0.25 - 1.65	22-16	2	22.5	10.4
DSSB-CNT-PIN2	Blue	1.14 - 1.82	1.04 - 2.63	16-14	2	22.9	10.4
DSSB-CNT-PIN5.5	Yellow	1.82 - 2.89	2.63 - 6.64	12-10	2.7	27.3	13.5



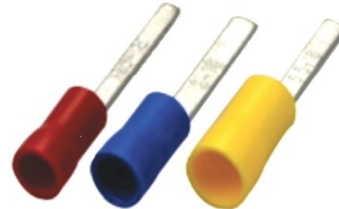
INSULATED BLADE TERMINALS (FLAT)

Specification:

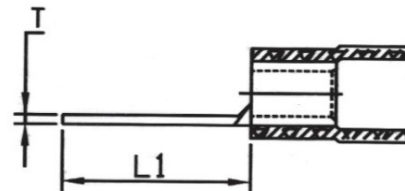
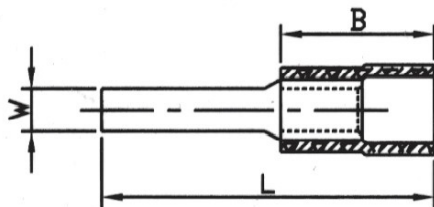
Material: T2 / 99.95% Original Pure Copper

Insulated Material: PVC **Finish:** Tin Plated

Compliance: *B.S. (British Standard) *DIN (Germany)
 *JLS (Japan) *ANSI (U.S.A.)



ITEM CODE	Colour	Single mm	Twine mm ²	DIMENSIONS (mm)					
				W	D	d	T	B	L
DSSB-CNT-PIN1.25F-13.0	Red	0.57 - 1.44	0.25 - 1.65	3.0	4.0	1.7	0.75	10.4	23.4
DSSB-CNT-PIN1.25F-14.5/3				3.0	4.0	1.7	0.75	10.4	24.9
DSSB-CNT-PIN1.25F-18/2.3				2.3	4.0	1.7	0.75	10.4	28.4
DSSB-CNT-PIN2F-13/3	Blue	1.44 - 1.82	1.04 - 2.63	3.0	4.6	2.3	0.75	10.4	23.4
DSSB-CNT-PIN2F-18		1.82	2.63	3.0	4.6	2.3	0.75	10.4	28.4
DSSB-CNT-PIN5.5F-14/3	Yellow	1.82 - 2.98	2.63 - 6.64	3.0	6.9	3.5	1.00	13.5	27.5
DSSB-CNT-PIN5.5F-18/3		2.98	6.64	3.0	6.9	3.5	1.00	13.5	31.5



INSULATED BULLET CONNECTORS

Specification:

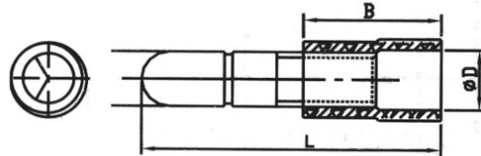
Material: T2 / 99.95% Original Pure Copper

Insulated Material: PVC **Finish:** Tin Plated

Compliance: *B.S. (British Standard) *DIN (Germany)
 *JLS (Japan) *ANSI (U.S.A.)



ITEM CODE	Colour	WIRE RANGE (Twine mm ²) #AWG	DIMENSIONS (mm)			
			d	D	B	L
DSSB-CNT-F1.25A	Red	(0.57 - 1.25) 18 - 16	3.96	3.90	11.00	22.00
DSSB-CNT-F1.25A	Blue	(1.25 - 2.0) 16 - 14	3.96	4.20	11.00	22.00
DSSB-CNT-F1.25A	Blue	(1.25 - 2.0) 16 - 14	4.96	4.20	11.00	22.00
DSSB-CNT-F1.25A	Yellow	(2.63 - 6.64) 12 - 10	4.96	5.50	13.70	25.10



INSULATED SOCKET CONNECTOR

Specification:

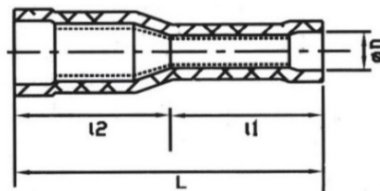
Material: T2 / 99.95% Original Pure Copper

Insulated Material: PVC **Finish:** Tin Plated

Compliance: *B.S. (British Standard) *DIN (Germany)
 *JLS (Japan) *ANSI (U.S.A.)



ITEM CODE	Colour	WIRE RANGE (Twine mm ²) #AWG	DIMENSIONS (mm)			
			d	D	B	L
DSSB-CNT-F1.25B	Red	(0.57 - 1.25) 18 - 16	14.00	10.50	23.00	3.90
DSSB-CNT-F2B(4)	Blue	(1.25 - 2.0) 16 - 14	14.00	10.50	23.00	4.20
DSSB-CNT-F2B(5)	Blue	(1.25 - 2.0) 16 - 14	14.00	10.50	23.00	4.20
DSSB-CNT-F5.5B(5)	Yellow	(2.63 - 6.64) 12 - 10	13.50	12.00	25.50	5.50



NON-INSULATED PIN TERMINAL

Specification:

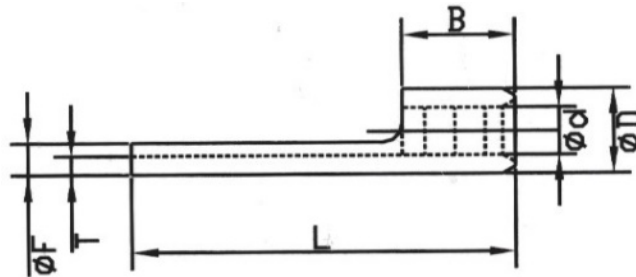
Material: T2 / 99.95% Original Pure Copper

Finish: Tin Plated

Compliance: *B.S. (British Standard) *DIN (Germany)
*JLS (Japan) *ANSI (U.S.A.)



ITEM CODE	DIMENSIONS (mm)					
	F	Φ_D	Φ_d	B	L	T
DSSB-CNT-TPIN1.25	2	3.4	1.7	4.50	16.30	0.75
DSSB-CNT-TPIN2	2	4	2.3	4.80	17.00	0.75
DSSB-CNT-TPIN5.5	2.7	5.6	3.5	6.80	20.50	1.00



NON-INSULATED BLADE TERMINAL (FLAT PIN)

Specification:

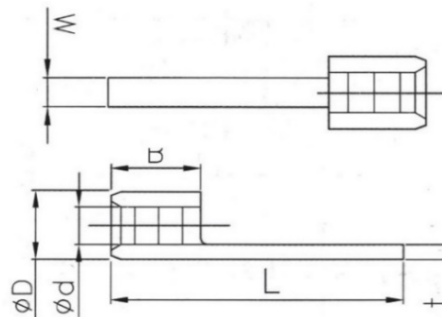
Material: T2 / 99.95% Original Pure Copper

Finish: Tin Plated

Compliance: *B.S. (British Standard) *DIN (Germany)
*JLS (Japan) *ANSI (U.S.A.)



ITEM CODE	DIMENSIONS (mm)					
	F	Φ_D	Φ_d	T	B	L
DSSB-CNT-TPIN1.25	3.0	3.4	1.7	0.8	4.5	17.5
DSSB-CNT-TPIN2	3.0	4.0	2.3	0.8	4.8	17.8
DSSB-CNT-TPIN5.5	3.0	5.6	3.5	1.0	6.8	20.8

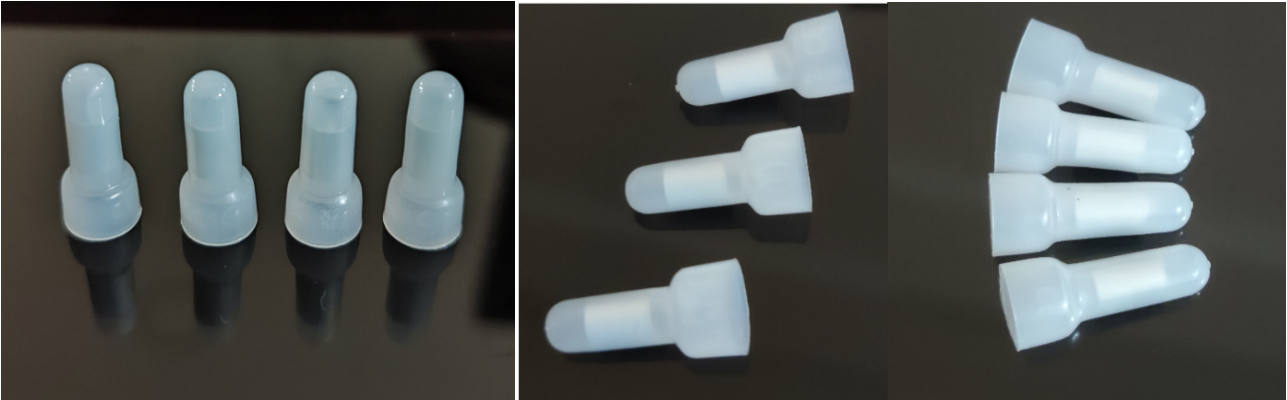
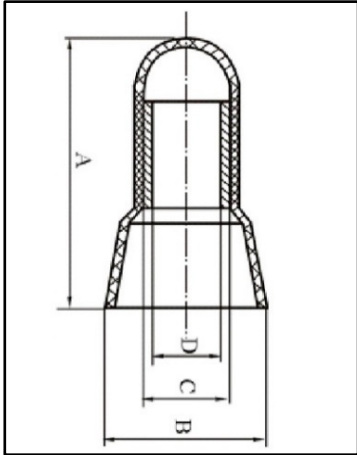


CLOSE END TUBE CONNECTOR

ITEM CODE	SUITABLE WIRES		DIMENSIONS (mm)			
	mm ²	AWG	A	B	C	D
DSSB-CNT-CEWC-CE1X	1.25	22.0 - 16.0	18.0	9.0	3.6	2.8
DSSB-CNT-CEWC-CE2X	2.00	16.0 - 14.0	21.0	9.5	3.9	3.0
DSSB-CNT-CEWC-CE3X	5.50	12.0 - 10.0	22.5	10.5	4.8	4.0
DSSB-CNT-CEWC-CE4X	8.00	8.0	24.0	12.0	5.6	4.8
DSSB-CNT-CEWC-CE5X	10.00	8.0 - 6.0	25.5	13.0	6.5	5.5
DSSB-CNT-CEWC-CE6X	13.00	6.0	25.5	14.0	7.5	6.0
DSSB-CNT-CEWC-CE7X	16.00	4.0	29.5	15.5	9.3	7.8

Specification:

- Shell Material : UL NYLON 66
- Terminal Material : Copper
- Compliance : *B.S. (British Standard)
: *JLS (Japan)
: *DIN (Germany)
: *ANSI (U.S.A.)



CABLE CONNECTORS



INSULATED CORD-END TERMINAL

Specification:

Material: T2 / 99.95% Original Pure Copper

Finish: Tin Plated

Insulated Material: Nylon

Compl *B.S. (British Standard)

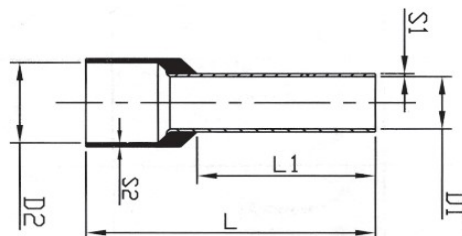
*JLS (Japan)

*DIN (Germany)

*ANSI (U.S.A.)



ITEM CODE	COLOUR SYSTEM			WIRE RANGE (mm)	DIMENSIONS (mm)					
	W	T	DIN		D1	D2	L	L1	S1	S2
DSSB-CNT-LT001406	Grey	Grey	Grey	0.14	0.70	1.10	0.70	1.10	10.00	6.00
DSSB-CNT-LT002506	Light Blue	Voilet	Light Blue	0.25	0.75	1.90	10.00	6.00	0.15	0.30
DSSB-CNT-LT002508							12.00	8.00		
DSSB-CNT-LT003406	Turquoise	Pink	Turquoise	0.34	0.80	1.90	10.00	6.00	0.15	0.30
DSSB-CNT-LT003408							12.00	8.00		
DSSB-CNT-LT005006	Orange	White	White	0.50	1.00	2.60	12.00	6.00	0.15	0.30
DSSB-CNT-LT005008							14.00	8.00		
DSSB-CNT-LT005010							16.00	10.00		
DSSB-CNT-LT007506	White	Blue	Grey	0.75	1.20	2.80	12.00	6.00	0.15	0.30
DSSB-CNT-LT007508							14.00	8.00		
DSSB-CNT-LT007510							16.00	10.00		
DSSB-CNT-LT007512							18.00	12.00		
DSSB-CNT-LT010006	Yellow	Red	Red	1.00	1.40	3.00	12.00	6.00	0.15	0.30
DSSB-CNT-LT010008							14.00	8.00		
DSSB-CNT-LT010010							16.00	10.00		
DSSB-CNT-LT010012							18.00	12.00		
DSSB-CNT-LT015008	Red	Black	Black	1.50	1.70	3.50	14.00	8.00	0.15	0.30
DSSB-CNT-LT015010							16.00	10.00		
DSSB-CNT-LT015012							18.00	12.00		
DSSB-CNT-LT015018							24.00	14.00		
DSSB-CNT-LT025008	Blue	Grey	Blue	2.50	2.20	4.20	14.00	8.00	0.15	0.30
DSSB-CNT-LT025010							16.00	10.00		
DSSB-CNT-LT025012							18.00	12.00		
DSSB-CNT-LT025018							24.00	14.00		



CABLE CONNECTORS

INSULATED CORD-END TERMINAL

Specification:

Material: T2 / 99.95% Original Pure Copper

Finish: Tin Plated

Insulated Material: Nylon

Compl *B.S. (British Standard)

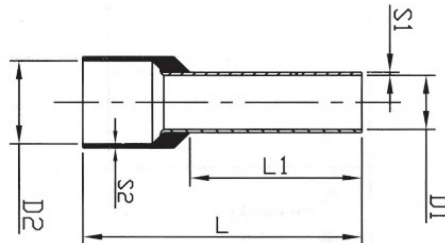
*JLS (Japan)

*DIN (Germany)

*ANSI (U.S.A.)



ITEM CODE	COLOUR SYSTEM			WIRE RANGE (mm)	DIMENSIONS (mm)					
	W	T	DIN		D1	D2	L	L1	S1	S2
DSSB-CNT-LT040010	Grey	Orange	Grey	4.00	2.80	4.80	18.00	10.00	0.20	0.35
DSSB-CNT-LT040012							20.00	12.00		
DSSB-CNT-LT040018							26.00	18.00		
DSSB-CNT-LT060012	Black	Green	Yellow	6.00	3.50	6.30	20.00	12.00	0.20	0.40
DSSB-CNT-LT060018							26.00	18.00		
DSSB-CNT-LT100012	Ivory	Brown	Red	10.00	4.50	7.60	22.00	12.00	0.20	0.40
DSSB-CNT-LT100018							28.00	18.00		
DSSB-CNT-LT160012	Green	Ivory	Blue	16.00	5.80	8.80	24.00	12.00	0.20	0.40
DSSB-CNT-LT160018							28.00	18.00		
DSSB-CNT-LT250016	Brown	Black	Yellow	25.00	7.30	11.20	30.00	16.00	0.20	0.40
DSSB-CNT-LT250018							32.00	18.00		
DSSB-CNT-LT250022							36.00	22.00		
DSSB-CNT-LT350016	Beige	Red	Red	35.00	8.30	12.70	30.00	16.00	0.20	0.40
DSSB-CNT-LT350018							32.00	18.00		
DSSB-CNT-LT350025							39.00	25.00		
DSSB-CNT-LT500020	Olive	Blue	Blue	50.00	10.30	15.00	36.00	20.00	0.30	0.50
DSSB-CNT-LT500025							40.00	25.00		
DSSB-CNT-LT700021			Yellow	70.00	13.50	16.00	37.00	21.00	0.40	0.60
DSSB-CNT-LT950025			Red	95.00	17.50	18.00	44.00	25.00	0.40	0.60
DSSB-CNT-LT120027			Blue	120.00	16.70	20.00	48.00	27.00	0.45	0.70
DSSB-CNT-LT150032			Yellow	150.00	19.50	23.00	58.00	32.00	0.50	1.00



INSULATED CORD-END TWIN TERMINAL

Specification:

Material: T2 / 99.95% Original Pure Copper

Finish: Tin Plated

Insulated Material: Nylon

Compl *B.S. (British Standard)

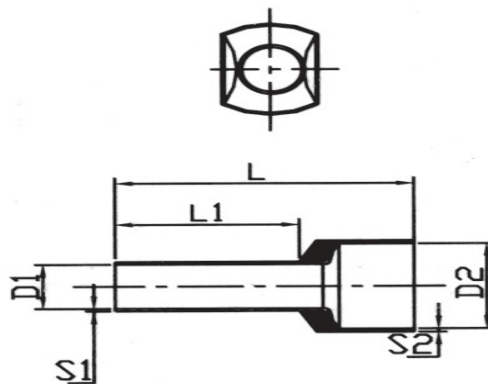
*JLS (Japan)

*DIN (Germany)

*ANSI (U.S.A.)



ITEM CODE	COLOUR SYSTEM			WIRE RANGE (mm)	DIMENSIONS (mm)					
	W	T	DIN		D1	D2	L	L1	S1	S2
DSSB-CNT-CT205008	Orange	White	White	2 x 0.5	1.50	2.5/4.7	15.00	8.00	0.15	0.25
DSSB-CNT-CT207508	White	Blue	Grey	2 x 0.75	1.80	2.8/5.0	15.00	8.00		
DSSB-CNT-CT207510							17.00	10.00		
DSSB-CNT-CT210008	Yellow	Red	Red	2 x 1	2.05	3.4 / 5.4	15.00	8.00	0.30	0.30
DSSB-CNT-CT210010							17.00	10.00		
DSSB-CNT-CT215008	Red	Black	Black	2 x 1.5	2.30	3.6 / 6.6	16.00	8.00	0.20	0.40
DSSB-CNT-CT215012							20.00	12.00		
DSSB-CNT-CT225010	Blue	Grey	Blue	2 x 2.5	2.80	4.2 / 7.8	18.50	10.00	0.20	0.40
DSSB-CNT-CT225013							21.50	13.00		
DSSB-CNT-CT240012	Grey	Orange	Grey	2 x 4	3.70	4.9 / 8.8	23.00	12.00	0.20	0.40
DSSB-CNT-CT260014	Black	Orange	Yellow	2 x 6	4.80	6.9 / 10.0	26.00	14.00		
DSSB-CNT-CT210014	Ivory	Brown	Red	2 x 10	6.40	7.6 / 12.8	26.50	14.00	0.30	0.50
DSSB-CNT-CT216014	Green	Ivory	Blue	2 x 16	8.30	9.6 / 18.6	31.50	14.00		

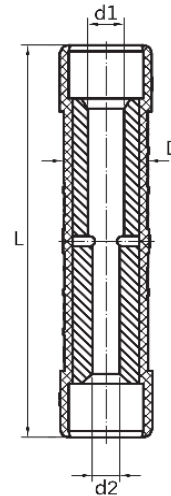


CABLE CONNECTORS



ABC LV PRE-INSULATED ALUMINIUM CONNECTOR

Item Code	Conductor Size (mm ²)	Dimensions (mm)				Colour Code
		L	D	d1	d2	
DSSB-ABC-PIAC16/16D	16	98.5	20	5.3	5.3	Blue
DSSB-ABC-PIAC25/25	25	98.5	20	6.5	6.5	Orange
DSSB-ABC-PIAC35/25	35/25	98.5	20	7.9	6.5	Red/Orange
DSSB-ABC-PIAC35/35	35	98.5	20	7.9	7.9	Red
DSSB-ABC-PIAC50/25	50/25	98.5	20	8.8	6.5	Yellow/Orange
DSSB-ABC-PIAC50/35	50/35	98.5	20	8.8	7.9	Yellow/Red
DSSB-ABC-PIAC50/50	50	98.5	20	8.8	8.8	Yellow
DSSB-ABC-PIAC70/35	70/35	98.5	20	10.4	7.9	White/Red
DSSB-ABC-PIAC70/50	70/50	98.5	20	10.4	8.8	White/Yellow
DSSB-ABC-PIAC70/70	70	98.5	20	10.4	10.4	White
DSSB-ABC-PIAC95/35	95/35	98.5	20	12.2	7.9	Grey/Red
DSSB-ABC-PIAC95/50	95/50	98.5	20	12.2	8.8	Grey/Yellow
DSSB-ABC-PIAC95/70	95/70	98.5	20	12.2	10.4	Grey/White
DSSB-ABC-PIAC95/95	95	98.5	20	12.2	12.2	Grey
DSSB-ABC-PIAC120/120	120	137	25	14.3	14.3	Pink
DSSB-ABC-PIAC150/70	150/70	137	25	15.5	10.4	Voilet/White
DSSB-ABC-PIAC150/95	150/95	137	25	15.5	12.2	Voilet/Grey
DSSB-ABC-PIAC150/150	150	137	25	15.5	15.5	Voilet



Application

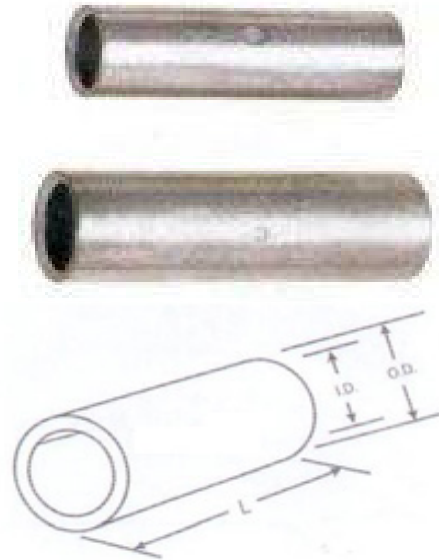
For LV-ABC system with neutral messenger. Used on phase conductor

Feature:

- Material: Al≥99.5%
- Insulation sheath is made of weather and UV resistant material.
- Clear markings on insulation sheath to indicate crimping die, crimping sequence and times, cross-section of conductor and stripping length.
- Cross-section of conductor can be easily identified by the color of elastomeric cap.
- Elastomeric caps and pre-filled silicone grease ensure superior waterproof.
- Stripping of cable insulation is required before insertion.
- Tested by dielectrical voltage of 6kV for 1 minute under water.
- Standard: EN 50483-4, NF C 33-021

HEAVY DUTY CABLE LINKS

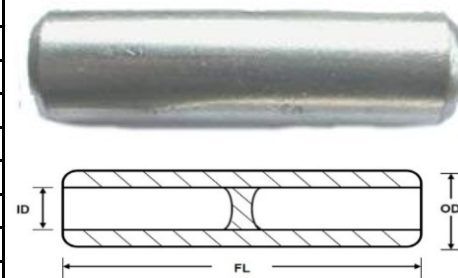
Item Code	Conductor	Dimension		
	Size mm	L	OD	ID
DSSB-CNT-CLN 1.5	1.5	20	3.70	1.80
DSSB-CNT-CLN 2.5	2.5	20	4.00	2.40
DSSB-CNT-CLN 4	4	20	4.80	3.10
DSSB-CNT-CLN 6	6	25	5.50	3.80
DSSB-CNT-CLN 10	10	30	6.20	4.50
DSSB-CNT-CLN 16	16	40	7.10	5.40
DSSB-CNT-CLN 20	20	40	7.70	6.00
DSSB-CNT-CLN 25	25	45	8.80	6.80
DSSB-CNT-CLN 35	35	45	10.60	8.20
DSSB-CNT-CLN 50	50	50	12.40	9.50
DSSB-CNT-CLN 70	70	55	14.70	11.20
DSSB-CNT-CLN 95	95	60	17.40	13.50
DSSB-CNT-CLN 120	120	65	19.40	15.00
DSSB-CNT-CLN 150	150	70	21.20	16.50
DSSB-CNT-CLN 185	185	75	23.50	18.50
DSSB-CNT-CLN 240	240	80	26.50	21.00
DSSB-CNT-CLN 300	300	85	30.00	23.50
DSSB-CNT-CLN 400	400	90	34.80	26.80
DSSB-CNT-CLN 500	500	100	39.00	31.70
DSSB-CNT-CLN 630	630	110	45.00	35.00
DSSB-CNT-CLN 800	800	150	50.60	39.00
DSSB-CNT-CLN 1000	1000	165	56.20	43.00



A complete range of links ranging from 1.5mm to 1000mm

TIN PLATED COPPER CABLE LINKS (MV - with corona relief taper) (MS 1779:2005)

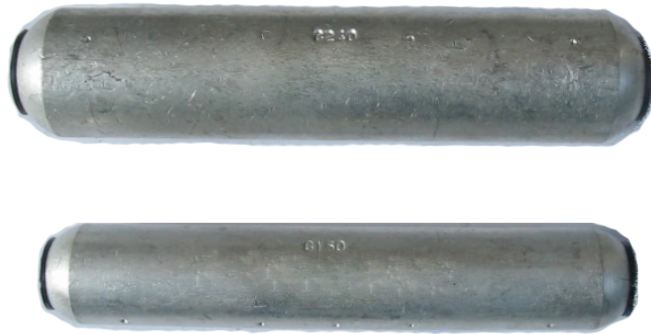
Item Code	Conductor	Dimension		
	Size mm	FL	OD	ID
DSSB-CNT-CLMS 1.5	1.5	18	3.35	1.75
DSSB-CNT-CLMS 2.5	2.5	18	3.90	2.30
DSSB-CNT-CLMS 4	4	19	4.70	3.00
DSSB-CNT-CLMS 6	6	20	5.30	3.60
DSSB-CNT-CLMS 10	10	23	6.30	4.30
DSSB-CNT-CLMS 16	16	30	7.80	5.60
DSSB-CNT-CLMS 25	25	34	9.30	7.00
DSSB-CNT-CLMS 35	35	38	10.80	8.40
DSSB-CNT-CLMS 50	50	40	12.50	9.50
DSSB-CNT-CLMS 70	70	45	14.40	11.20
DSSB-CNT-CLMS 95	95	50	17.50	13.50
DSSB-CNT-CLMS 120	120	54	20.00	15.60
DSSB-CNT-CLMS 150	150	65	22.00	16.80
DSSB-CNT-CLMS 185	185	68	24.00	19.00
DSSB-CNT-CLMS 240	240	95	27.90	21.50
DSSB-CNT-CLMS 300	300	100	31.80	24.40
DSSB-CNT-CLMS 400	400	115	34.40	26.70
DSSB-CNT-CLMS 500	500	120	38.60	30.00
DSSB-CNT-CLMS 630	630	130	44.70	34.50
DSSB-CNT-CLMS 800	800	150	50.60	39.00
DSSB-CNT-CLMS 1000	1000	165	56.20	43.00



Manufacture from Copper Tube
(Soldered in the middle)

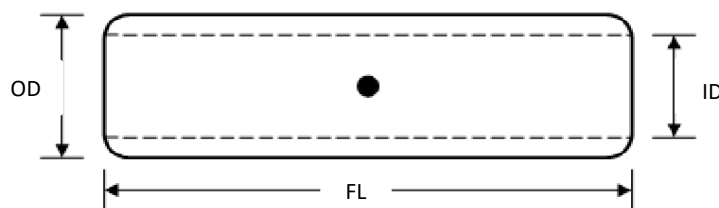
Other dimension on request

HEAVY DUTY ALUMINIUM CABLE LINK / ALUMINIUM CABLE FERRULE



Item Code	Conductor	Dimension		
	Size mm	FL	OD	ID
DSSB-CNT-LUG-ALNK16	16	90.5	16	5.5
DSSB-CNT-LUG-ALNK25	25	90.5	16	6.5
DSSB-CNT-LUG-ALNK35	35	90.5	16	8.0
DSSB-CNT-LUG-ALNK50	50	106.5	20	9.0
DSSB-CNT-LUG-ALNK70	70	106.5	20	11.0
DSSB-CNT-LUG-ALNK95	95	106.5	20	12.5
DSSB-CNT-LUG-ALNK120	120	133.0	25	13.7
DSSB-CNT-LUG-ALNK150	150	133.0	25	15.5
DSSB-CNT-LUG-ALNK185	185	143.5	32	17.0
DSSB-CNT-LUG-ALNK240	240	143.5	32	19.5
DSSB-CNT-LUG-ALNK300	300	218.0	40	23.3
DSSB-CNT-LUG-ALNK400	400	218.0	40	26.0
DSSB-CNT-LUG-ALNK500	500	218.5	47	29.1
DSSB-CNT-LUG-ALNK630	630	218.5	47	32.5
DSSB-CNT-LUG-ALNK800	800	300.0	60	39.0
DSSB-CNT-LUG-ALNK1000	1000	300.0	60	43.0

Aluminium Purity: AL 99.5%



Notes:

1. All dimensions are in mm.
2. All dimensions are based on TNB Malaysia's requirements and approval
 1. (Product Certification Acceptance obtained from TNB Research)
 2. Other dimension customizations are available on request.

PURE COPPER TIN PLATED CABLE LINK

Specification:

Material: T2 / 99.95% Original Pure Copper

Finish: Tin Plated

Compliance:

*B.S. (British Standard)

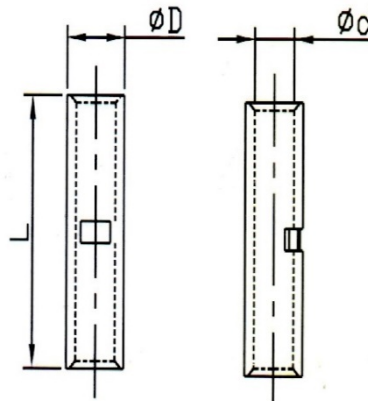
*JLS (Japan)

*DIN (Germany)

*ANSI (U.S.A.)



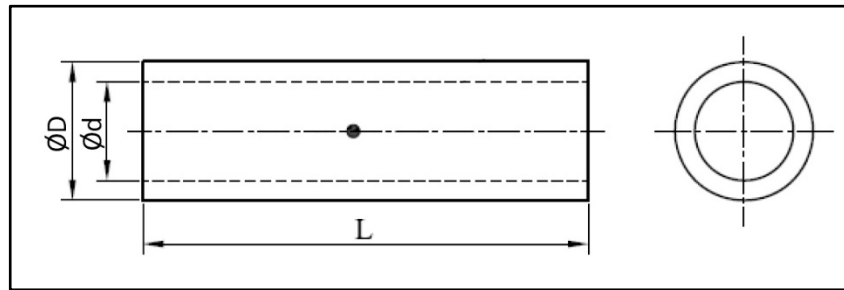
ITEM CODE	SIZE (mm ²)	DIMENSION (mm)		
		ØD	Ød	L
DSSB-CNT-LUG-LINK1.5	1.5	3.5	2.5	20.0
DSSB-CNT-LUG-LINK2.5	2.5	4.0	3.0	20.0
DSSB-CNT-LUG-LINK4.0	4.0	4.8	3.5	20.0
DSSB-CNT-LUG-LINK6.0	6.0	5.5	4.1	25.0
DSSB-CNT-LUG-SSLINK10.0	10.0	6.7	5.0	30.0
DSSB-CNT-LUG-LINK16.0	16.0	7.5	5.8	35.0
DSSB-CNT-LUG-LINK25.0	25.0	9.0	7.2	40.0
DSSB-CNT-LUG-LINK35.0	35.0	10.5	8.5	45.0
DSSB-CNT-LUG-LINK50.0	50.0	12.5	10.1	50.0
DSSB-CNT-LUG-LINK70.0	70.0	14.5	11.7	55.0
DSSB-CNT-LUG-LINK95.0	95.0	17.0	13.8	60.0
DSSB-CNT-LUG-LINK120.0	120.0	19.5	15.9	65.0
DSSB-CNT-LUG-LINK150.0	150.0	20.5	16.7	70.0
DSSB-CNT-LUG-LINK185.0	185.0	23.5	19.1	75.0
DSSB-CNT-LUG-LINK240.0	240.0	26.0	21.4	80.0
DSSB-CNT-LUG-LINK300.0	300.0	30.0	24.6	85.0
DSSB-CNT-LUG-LINK400.0	400.0	34.0	27.4	90.0
DSSB-CNT-LUG-LINK500.0	500.0	38.0	30.8	100.0
DSSB-CNT-LUG-LINK630.0	630.0	45.0	35.8	110.0



Cable Connectors



LOW VOLTAGE CABLE LINK



SPECIFICATION:

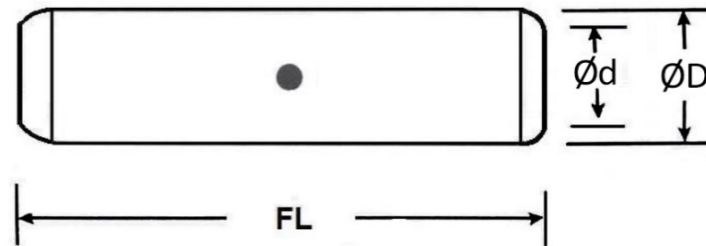
- CRIMP TYPE FOR HEXAGON AND INDENT DIE
- HIGH CONDUCTIVITY COPPER: 99% I.A.C.S
- COPPER PURITY: 99.9%
- FINISHING: TIN PLATED
- COMPLIANT TO MS1779

Item Code	Conductor Size	ØD	Ød	L
DSSB-CNT-LINK1.5-LV	1.5 mm ²	3.4	1.8	18
DSSB-CNT-LINK2.5-LV	2.5 mm ²	3.9	2.3	18
DSSB-CNT-LINK4-LV	4 mm ²	4.7	3.0	19
DSSB-CNT-LINK6-LV	6 mm ²	5.3	3.6	20
DSSB-CNT-LINK10-LV	10 mm ²	6.3	4.3	23
DSSB-CNT-LINK16-LV	16mm ²	7.8	5.6	30
DSSB-CNT-LINK25-LV	25 mm ²	9.3	7.0	34
DSSB-CNT-LINK35-LV	35 mm ²	10.8	8.4	38
DSSB-CNT-LINK50-LV	50 mm ²	12.5	9.5	40
DSSB-CNT-LINK70-LV	70 mm ²	14.4	11.2	45
DSSB-CNT-LINK95-LV	95 mm ²	17.5	13.5	50
DSSB-CNT-LINK120-LV	120 mm ²	19.0	14.6	54
DSSB-CNT-LINK150-LV	150 mm ²	21.4	16.4	65
DSSB-CNT-LINK185-LV	185 mm ²	23.7	18.5	68
DSSB-CNT-LINK240-LV	240 mm ²	27.4	21.0	95
DSSB-CNT-LINK300-LV	300 mm ²	30.5	23.5	100
DSSB-CNT-LINK400-LV	400 mm ²	34.4	26.7	115
DSSB-CNT-LINK500-LV	500 mm ²	38.6	30.0	120
DSSB-CNT-LINK630-LV	630 mm ²	44.7	34.5	130
DSSB-CNT-LINK800-LV	800 mm ²	50.6	39.0	150
DSSB-CNT-LINK1000-LV	1000 mm ²	56.2	43.0	165

* All dimensions in mm

* Other dimensions and customizations are available on request.

MEDIUM VOLTAGE CABLE LINK



SPECIFICATION:

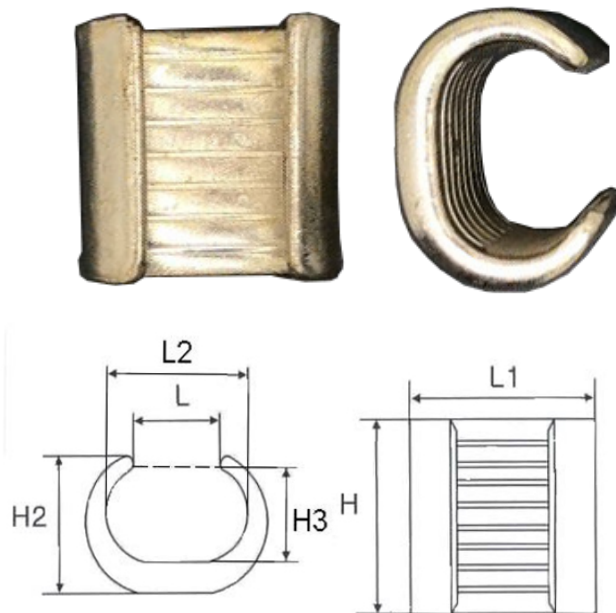
- CRIMP TYPE FOR HEXAGON AND INDENT DIE
- HIGH CONDUCTIVITY COPPER: 99% I.A.C.S
- COPPER PURITY: 99.9%
- FINISHING: TIN PLATED
- COMPLIANT TO MS1779
- CORONA RELIEF TAPER END FOR APPLICATION UP TO 36 kV

Item Code	Conductor Size	ØD (mm)	Ød (mm)	L (mm)
DSSB-CNT-LINK50-MV	50 mm ²	12.5	9.5	44
DSSB-CNT-LINK70-MV	70 mm ²	14.4	11.2	49
DSSB-CNT-LINK95-MV	95 mm ²	17.5	13.5	54
DSSB-CNT-LINK120-MV	120 mm ²	19.0	14.6	58
DSSB-CNT-LINK150-MV	150 mm ²	21.4	16.4	68
DSSB-CNT-LINK185-MV	185 mm ²	23.7	18.5	70
DSSB-CNT-LINK240-MV	240 mm ²	27.4	21.0	100
DSSB-CNT-LINK300-MV	300 mm ²	30.5	23.5	110
DSSB-CNT-LINK400-MV	400 mm ²	34.4	26.7	120
DSSB-CNT-LINK500-MV	500 mm ²	38.6	30.0	125
DSSB-CNT-LINK630-MV	630 mm ²	44.7	34.5	135
DSSB-CNT-LINK800-MV	800 mm ²	50.6	39.0	160
DSSB-CNT-LINK1000-MV	1000 mm ²	56.2	43.0	170

* All dimensions in mm

* Other dimensions and customizations are available on request.

TIN PLATED 'C' CONNECTORS/ CLAMPS



- Use to branch out Copper Conductor.
- 'C' Type of connectors is made from high conductivity copper at least 99.9% (International Annealed Copper Standard)
- Finishing with tin-plated at least 3-microns
- Dimpled & serrated to obtain high mechanical grip
- Chamfered edges designed to protect the wire

Item Code	L	L1	L2	H	H2	H3	Conductor Range (mm ²)
DSSB-EA-CC-UT44	8.3	19	12.4	20	14	8.1	27 - 44
DSSB-EA-CC-UT60	10.8	21.4	15.3	22.5	15	10	45 - 60
DSSB-EA-CC-UT76	9.5	24	16.7	22.5	17	10.7	61 - 76
DSSB-EA-CC-UT98	14.5	28	21.2	25	19	13.4	77 - 98
DSSB-EA-CC-UT122	14	29.3	21.3	26	21	14.5	99 - 122
DSSB-EA-CC-UT154	17	35	23.8	28	25	16.8	123 - 154
DSSB-EA-CC-UT190	17	36.5	28.2	35	25	17.2	155 - 190
DSSB-EA-CC-UT240	20	40	30.2	40	29	21.3	191 - 240
DSSB-EA-CC-UT288	22	44	34.2	45	32	22.9	241 - 288
DSSB-EA-CC-UT365	27.5	48	37.6	50	34	24.2	289 - 365
DSSB-EA-CC-UT450	28	56.5	41.9	60	41	27.6	366 - 450

* All dimensions in mm

HYDRAULIC CRIMPING TOOLS



Model: DSSB CNT-CTHY-CP240
HEXAGON DIES: 16mm.sq. up to 240mm.sq.
Strokes: 16mm
Forces (Crimping): 80,000 N



Model: DSSB-CNT-CTHT-CP630
HEXAGON DIES: 185mm.sq. up to 630mm.sq.
Strokes: 28mm
Force (Crimping): 230,000 N

HAND-HELD CRIMPING TOOLS



Model: DSSB-CNT-CTHD-LY03C
For Insulated Terminal and Connectors

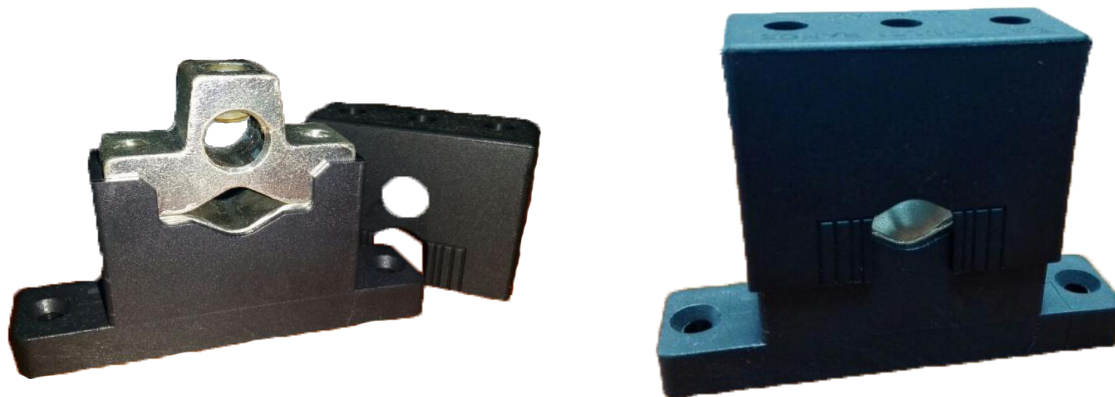
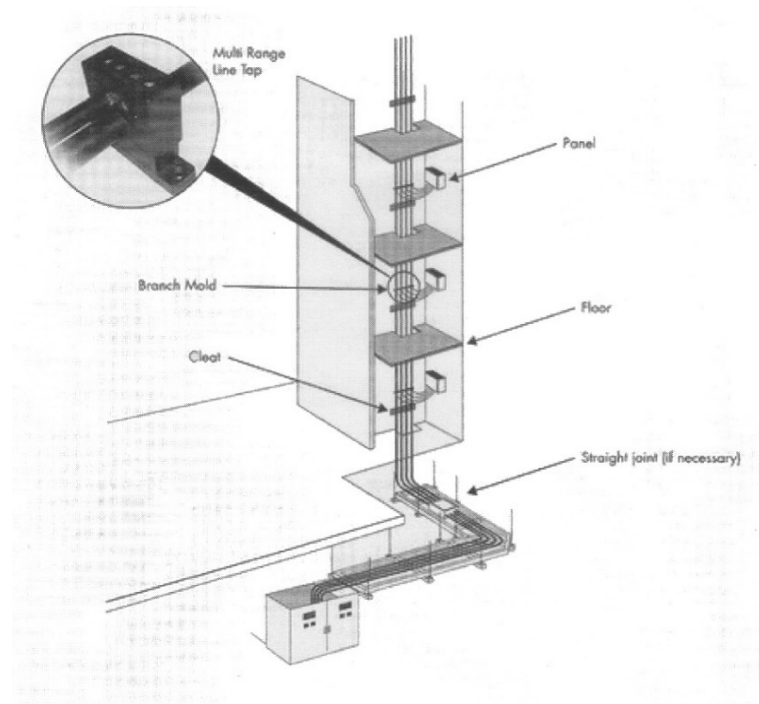
Applicable Range:
~ 0.5 - 6mm² AWG20-10
~ 0.5 - 1.5mm² AWG20-16
~ 2.5mm² AWG14
~ 4 - 6mm² AWG12-10

Weight: 0.6kg
Length: 230mm

MULTI RANGE LINE TAP FOR COPPER CABLES

Item Code	ITEM	Conductor Sizes	
		Main mm ²	Branch mm ²
DSSB-ABC-MLT-B95240-1670	BIG	95-240	16-70
DSSB-ABC-MLT-S50150-450	SMALL	50-150	4-50

Main cable from 95mm² - 240mm² and branch conductor from 16mm² - 70mm².
Simple two bolt clamping and pressing in one action.



CABLE LUGS (SINGLE HOLE PALM LUG)

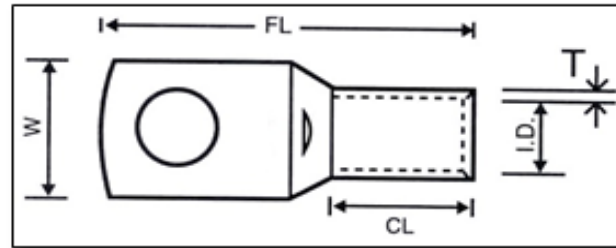
A complete range terminals, ranging from 1.5mm to 1000mm with cable inspection hole.

Item Code	Ref. No.	Stud Size	Cu Cable
		mm	size mm
DSSB-CNT-LUG-SC106	SC 10-6	6.5	10
DSSB-CNT-LUG-SC108	SC 10-8	8.4	10
DSSB-CNT-LUG-SC166	SC16-6	6.5	16
DSSB-CNT-LUG-SC168	SC16-8	8.4	16
DSSB-CNT-LUG-SC1610	SC16-10	10.5	16
DSSB-CNT-LUG-SC256	SC25-6	6.5	25
DSSB-CNT-LUG-SC258	SC25-8	8.4	25
DSSB-CNT-LUG-SC2510	SC25-10	10.5	25
DSSB-CNT-LUG-SC358	SC35-8	8.4	35
DSSB-CNT-LUG-SC3510	SC3510	10.5	35
DSSB-CNT-LUG-SC3512	SC35-12	13.0	35
DSSB-CNT-LUG-SC508	SC50-8	8.4	50
DSSB-CNT-LUG-SC5010	SC50-10	10.5	50
DSSB-CNT-LUG-SC5012	SC50-12	13.0	50
DSSB-CNT-LUG-SC708	SC70-8	8.4	70
DSSB-CNT-LUG-SC7010	SC70-10	10.5	70
DSSB-CNT-LUG-SC7012	SC70-12	13.0	70
DSSB-CNT-LUG-SC9510	SC95-10	10.5	95
DSSB-CNT-LUG-SC9512	SC95-12	12.5	95
DSSB-CNT-LUG-SC12010	SC120-10	10.5	120
DSSB-CNT-LUG-SC12012	SC120-12	13.0	120
DSSB-CNT-LUG-SC12016	SC120-16	17.0	120
DSSB-CNT-LUG-SC15012	SC150-12	13.0	150
DSSB-CNT-LUG-SC15016	SC150-16	17.0	150
DSSB-CNT-LUG-SC18512	SC185-12	13.0	185
DSSB-CNT-LUG-SC18516	SC185-16	17.0	185
DSSB-CNT-LUG-SC24012	SC240-12	13.0	240
DSSB-CNT-LUG-SC24016	SC240-16	17.0	240
DSSB-CNT-LUG-SC24020	SC240-20	21.0	240
DSSB-CNT-LUG-SC30016	SC300-16	17.0	300
DSSB-CNT-LUG-SC30020	SC300-20	21.0	300
DSSB-CNT-LUG-SC40016	SC400-16	17.0	400
DSSB-CNT-LUG-SC40020	SC400-20	21.0	400
DSSB-CNT-LUG-SC50016	SC500-16	17.0	500
DSSB-CNT-LUG-SC50020	SC500-20	21.0	500
DSSB-CNT-LUG-SC63020	SC630-20	21.0	630



Cable Connectors

LV SINGLE HOLE FIXING CABLE LUG



SPECIFICATION:

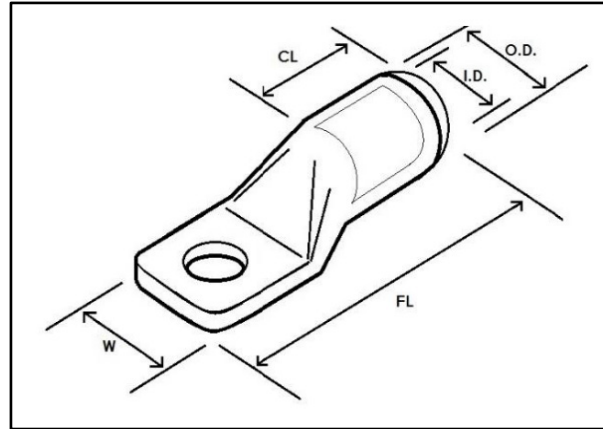
- CRIMP TYPE FOR HEXAGON AND INDENT DIE
- HIGH CONDUCTIVITY COPPER: 99% I.A.C.S
- COPPER PURITY: 99.9%
- FINISHING: TIN PLATED
- "TYPE TESTED TO MS 1540"

Item Code	Conductor	Stud Hole	CL	ID	T	W	FL
DSSB-CA-LG-C1.5M5	1.5 mm ²	M5	6.5	1.75	0.80	8.0	18
DSSB-CA-LG-C2.5M5	2.5 mm ²	M5	7.0	2.30	0.80	8.0	19
DSSB-CA-LG-C4M5	4 mm ²	M5	7.5	3.00	0.85	8.0	21
DSSB-CA-LG-C6M6	6 mm ²	M6	8.0	3.60	0.85	9.8	24
DSSB-CA-LG-C10M6	10 mm ²	M6	9.0	4.30	1.00	10.5	25
DSSB-CA-LG-C16M8	16 mm ²	M8	12.0	5.60	1.10	12.5	32
DSSB-CA-LG-C25M8	25 mm ²	M8	14.0	7.00	1.15	13.5	35
DSSB-CA-LG-C35M10	35 mm ²	M10	15.0	8.40	1.20	16.0	42
DSSB-CA-LG-C50M10	50 mm ²	M10	18.0	9.50	1.50	18.0	46
DSSB-CA-LG-C70M12	70 mm ²	M12	19.0	11.20	1.60	20.7	51
DSSB-CA-LG-C95M12	95 mm ²	M12	21.0	13.50	2.00	25.0	57
DSSB-CA-LG-C120M12	120 mm ²	M12	28.0	14.60	2.20	26.5	62
DSSB-CA-LG-C150M16	150 mm ²	M16	30.0	16.40	2.50	30.5	70
DSSB-CA-LG-C185M16	185 mm ²	M16	32.0	18.50	2.60	34.0	78
DSSB-CA-LG-C240M16	240 mm ²	M16	42.0	21.00	3.20	40.0	102
DSSB-CA-LG-C300M16	300 mm ²	M16	44.0	23.50	3.50	45.0	110
DSSB-CA-LG-C400M16	400 mm ²	M16	45.0	26.70	3.85	50.0	116
DSSB-CA-LG-C500M20	500 mm ²	M20	52.0	30.00	4.30	55.0	135
DSSB-CA-LG-C630M20	630 mm ²	M20	52.0	34.50	5.10	64.0	143
DSSB-CA-LG-C800	800 mm ²	Blank	66.0	39.00	5.80	71.5	170
DSSB-CA-LG-C1000	1000 mm ²	Blank	86.0	43.00	6.60	79.5	200

* All dimensions in mm

*Other sizes are available upon request

LV/MV CABLE LUG FOR COPPER CONDUCTOR



SPECIFICATION:

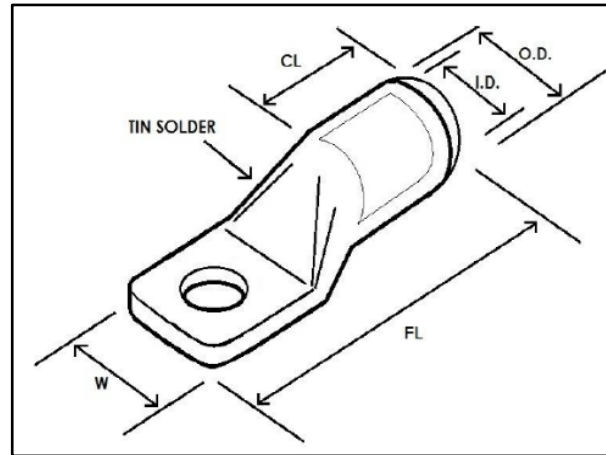
- CRIMP TYPE FOR HEXAGON AND INDENT DIE
- 99% I.A.C.S HIGH CONDUCTIVITY COPPER
- 99.9% COPPER PURITY
- TIN PLATED FINISHING
- CORONA RELIEF TAPER END FOR APPLICATION UP TO 33kV
- "COPPER TUBE COMPLIANT TO MS 1540"

Item Code	Conductor Size	Stud Hole	FL	CL	ID	OD	W
DSSB-CA-LG-C16M8-MV	16 mm ²	M8	35	13	5.6	7.8	12.0
DSSB-CA-LG-C25M8-MV	25 mm ²	M8	48	20	7.0	7.0	13.5
DSSB-CA-LG-C35M10-MV	35 mm ²	M10	52	21	8.4	8.4	16
DSSB-CA-LG-C50M12-MV	50 mm ²	M10	55	22	9.5	12.5	20
DSSB-CA-LG-C70M12-MV	70 mm ²	M12	63	25	11.2	14.4	20.5
DSSB-CA-LG-C95M12-MV	95 mm ²	M12	66	25	13.5	17.5	25.0
DSSB-CA-LG-C120M12-MV	120 mm ²	M12	73	27	14.6	19.0	28.0
DSSB-CA-LG-C150M16-MV	150 mm ²	M16	78	30	16.4	21.4	31.5
DSSB-CA-LG-C185M16-MV	185 mm ²	M16	82	32	18.5	23.7	35.0
DSSB-CA-LG-C240M16-MV	240 mm ²	M16	115	50	21.0	27.4	40.0
DSSB-CA-LG-C300M16-MV	300 mm ²	M16	121	50	23.5	30.5	45.0
DSSB-CA-LG-C400M16-MV	400 mm ²	M16	139	60	26.7	34.4	50.0
DSSB-CA-LG-C500M20-MV	500 mm ²	M20	158	65	30.0	38.6	55.0
DSSB-CA-LG-C630M20-MV	630 mm ²	M20	161	65	34.5	44.7	64.0

* All dimensions in mm

*Other sizes are available upon request

CABLE LUG FOR OUTDOOR



SPECIFICATION:

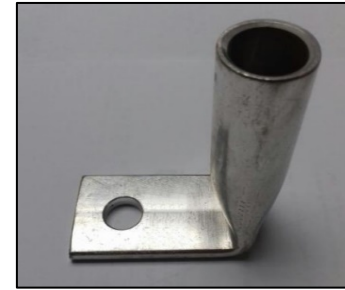
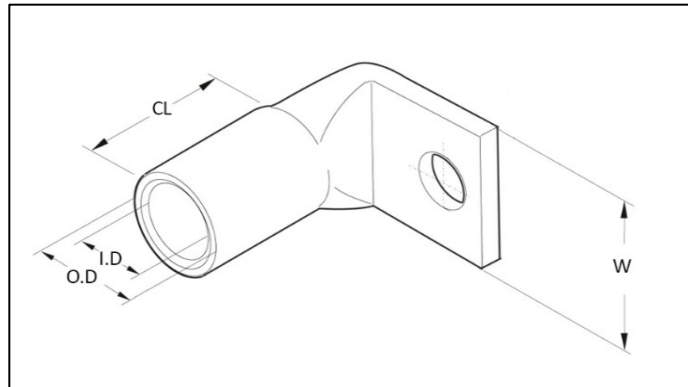
- CRIMP TYPE FOR HEXAGON AND INDENT DIE
- 99% IACS HIGH CONDUCTIVITY COPPER
- 99.9% COPPER PURITY
- TIN PLATED FINISHING
- CORONA RELIEF TAPER END FOR APPLICATION UP TO 33kV
- "COPPER TUBE COMPLIANT TO MS 1540"
- OUTDOOR CABLE LUG - NO PEEP-HOLE, PALM IS SOLDER SEALED TO STOP INGRESS OF WATER AND OIL

Item Code	Conductor Size	Stud Hole	FL	CL	ID	OD	W
DSSB-CA-LG-C50M10-OD	50 mm ²	M10	55	22	9.5	12.5	18.0
DSSB-CA-LG-C70M12-OD	70 mm ²	M12	63	25	11.2	14.4	20.5
DSSB-CA-LG-C95M12-OD	95 mm ²	M12	66	25	13.5	17.5	25.0
DSSB-CA-LG-C120M12-OD	120 mm ²	M12	73	27	14.6	19.0	28.0
DSSB-CA-LG-C150M16-OD	150 mm ²	M16	78	30	16.4	21.4	31.5
DSSB-CA-LG-C185M16-OD	185 mm ²	M16	82	32	18.5	23.7	35.0
DSSB-CA-LG-C240M16-OD	240 mm ²	M16	115	50	21.0	27.4	40.0
DSSB-CA-LG-C300M16-OD	300 mm ²	M16	121	50	23.5	30.5	45.0
DSSB-CA-LG-C400M16-OD	400 mm ²	M16	139	60	26.7	34.4	50.0
DSSB-CA-LG-C500M20-OD	500 mm ²	M20	158	65	30.0	38.6	55.0
DSSB-CA-LG-C630M20-OD	630 mm ²	M20	161	65	34.5	44.7	64.0

* All dimensions in mm

*Other sizes are available upon request

90 DEGREE CABLE LUG



SPECIFICATION:

- CRIMP TYPE FOR HEXAGON AND INDENT DIE.
- 99% IACS HIGH CONDUCTIVITY COPPER.
- 99.9% COPPER PURITY
- TIN PLATED FINISHING.
- SUITABLE FOR LV & MV APPLICATION.
- "COPPER TUBE COMPLIANT TO MS 1540"
- OUTDOOR CABLE LUG - NO PEEP-HOLE, PALM IS SOLDER SEALED TO STOP INGRESS OF WATER AND OIL.

Item Code	Conductor Size	Stud Hole	CL	W	ID	OD
DSSB-CA-LG-C16M8-ND	16 mm ²	M8	13	12.0	5.6	7.8
DSSB-CA-LG-C25M8-ND	25 mm ²	M8	20	13.5	7.0	9.3
DSSB-CA-LG-C35M10-ND	35 mm ²	M10	21	16.0	8.4	10.8
DSSB-CA-LG-C50M12-ND	50 mm ²	M10	22	18.0	9.5	12.5
DSSB-CA-LG-C70M12-ND	70 mm ²	M12	25	20.5	11.2	14.4
DSSB-CA-LG-C95M12-ND	95 mm ²	M12	25	25.0	13.5	17.5
DSSB-CA-LG-C120M12-ND	120 mm ²	M12	27	28.0	14.6	19.0
DSSB-CA-LG-C150M16-ND	150 mm ²	M16	30	31.5	16.4	21.4
DSSB-CA-LG-C185M16-ND	185 mm ²	M16	32	35.0	18.5	23.7
DSSB-CA-LG-C240M16-ND	240 mm ²	M16	50	40.0	21.0	27.4
DSSB-CA-LG-C300M16-ND	300 mm ²	M16	50	45.0	23.5	30.5
DSSB-CA-LG-C400M16-ND	400 mm ²	M16	60	50.0	26.7	34.4
DSSB-CA-LG-C500M20-ND	500 mm ²	M20	65	55.0	30.0	38.6
DSSB-CA-LG-C630M20-ND	630 mm ²	M20	65	64.0	34.5	44.7

* All dimensions in mm

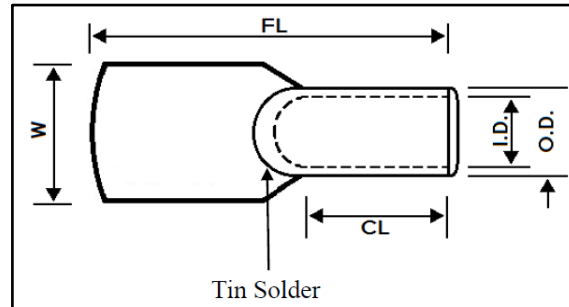
*Other sizes are available upon request

[Click Here For Product Flyer](#)

OUTDOOR LONG BARREL CABLE LUG (SEALED)

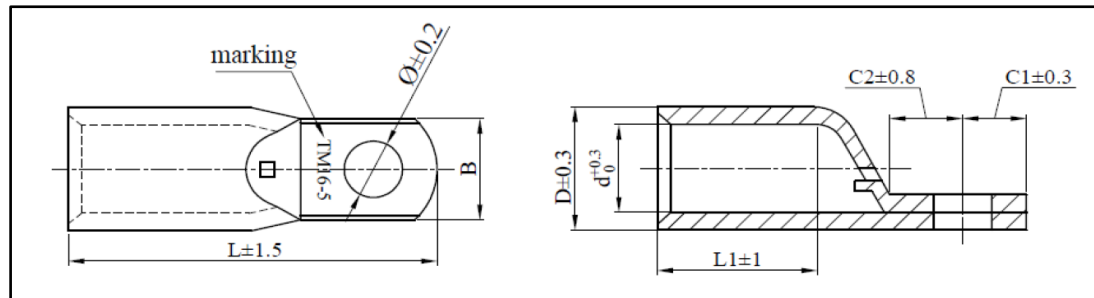
SPECIFICATION:

- CRIMP TYPE FOR HEXAGON AND INDENT DIE.
- 99% IACS HIGH CONDUCTIVITY COPPER.
- 99.9% COPPER PURITY
- TIN PLATED FINISHING.
- SUITABLE FOR LV & MV APPLICATION.
- "COPPER TUBE COMPLIANT TO MS 1540"
- OUTDOOR CABLE LUG - NO PEEP-HOLE, PALM IS SOLDER SEALED TO STOP INGRESS OF WATER AND OIL.



Item Code	Conductor Size	Stud Hole	FL	CL	ID	OD	W
DSSB-CA-LG-C500-ODLB	500 mm ²	Blank	185	90	30.0	38.6	55.0
DSSB-CA-LG-C630-ODLB	630 mm ²	Blank	190	90	34.5	44.7	64.0

MCCB CABLE LUG



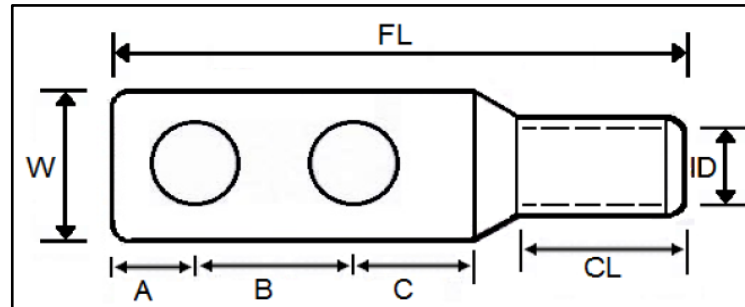
SPECIFICATION:

- CRIMP TYPE FOR HEXAGON AND INDENT DIE
- 99% I.A.C.S HIGH CONDUCTIVITY COPPER
- 99.9% COPPER PURITY
- TIN PLATED FINISHING
- SUITABLE FOR ALL TYPE OF MCCB END TERMINATION

Item Code	Conductor Size	Stud Hole	L	L1	D	d	B	C1	C2
DSSB-CA-LG-C10M5-MC	10 mm ²	M5	27.0	10.0	6.3	4.3	9.0	6.0	6.5
DSSB-CA-LG-C16M5-MC	16 mm ²	M5	31.0	12.0	7.8	5.6	9.0	6.0	6.5
DSSB-CA-LG-C25M5-MC	25 mm ²	M5	35.0	14.0	9.3	7.0	9.0	6.0	6.5
DSSB-CA-LG-C35M6-MC	35 mm ²	M6	40.5	16.0	10.8	8.4	11.5	7.0	8.0
DSSB-CA-LG-C50M8-MC	50 mm ²	M8	45.5	18.0	12.5	9.5	12.8	8.0	9.0
DSSB-CA-LG-C70M8-MC	70 mm ²	M8	50.0	19.0	14.8	11.2	15.8	9.0	9.0
DSSB-CA-LG-C75M8-MC	95 mm ²	M8	55.0	22.0	17.9	13.5	17.8	9.0	9.0
DSSB-CA-LG-C120M8-MC	120 mm ²	M8	68.0	28.0	20.0	15.6	19.0	9.0	14.0
DSSB-CA-LG-C150M8-MC	150 mm ²	M8	75.0	30.0	21.8	16.7	24.0	9.0	18.0
DSSB-CA-LG-C185M10-MC	185 mm ²	M10	79.0	32.0	24.2	19.0	24.5	9.5	18.0

* All dimensions in mm

TWO-HOLE CONDUCTOR CABLE LUG



SPECIFICATION:

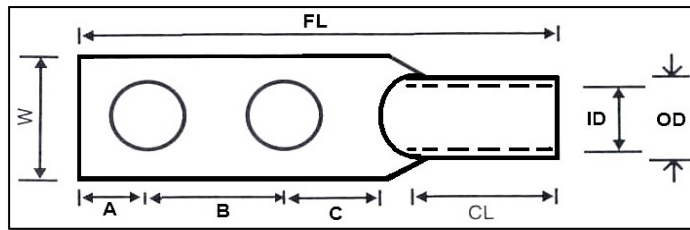
- USE FOR COPPER CONDUCTOR
- CRIMP TYPE FOR HEXAGON AND INDENT DIE
- 99% I.A.C.S HIGH CONDUCTIVITY COPPER
- 99.9% COPPER PURITY
- TIN PLATED FINISHING
- CORONA RELIEF TAPER END FOR APPLICATION UP TO 33kV
- "COPPER TUBE COMPLIANT TO MS 1540"

Item Code	Conductor Size	Stud Hole	FL	CL	W	A	B	C	ID
DSSB-CA-LG-C16M8-TH	16 mm ²	M8	88	13	12.0	10	45	12	5.6
DSSB-CA-LG-C25M8-TH	25 mm ²	M8	98	20	13.5	10	45	12	7.0
DSSB-CA-LG-C35M10-TH	35 mm ²	M10	103	21	16.0	12	45	14	8.4
DSSB-CA-LG-C50M12-TH	50 mm ²	M10	105	22	18.0	12	45	14	9.5
DSSB-CA-LG-C70M12-TH	70 mm ²	M12	114	25	20.5	14	45	16	11.2
DSSB-CA-LG-C95M12-TH	95 mm ²	M12	118	25	25.0	16	45	18	13.5
DSSB-CA-LG-C120M12-TH	120 mm ²	M12	122	38	28.0	16	45	18	14.6
DSSB-CA-LG-C150M16-TH	150 mm ²	M16	124	30	31.5	16	45	18	16.4
DSSB-CA-LG-C185M16-TH	185 mm ²	M16	133	32	35.0	16	45	18	18.5
DSSB-CA-LG-C240M16-TH	240 mm ²	M16	154	50	40.0	16	45	18	21.0
DSSB-CA-LG-C300M16-TH	300 mm ²	M16	157	50	45.0	16	45	18	23.5
DSSB-CA-LG-C400M16-TH	400 mm ²	M16	176	60	50.0	19	45	22	26.7
DSSB-CA-LG-C500M20-TH	500 mm ²	M20	181	65	55.0	19	45	22	30.0
DSSB-CA-LG-C630M20-TH	630 mm ²	M20	186	65	64.0	19	45	22	34.5

* All dimensions in mm

*Other sizes are available upon request

DOUBLE HOLE FIXING CABLE LUG



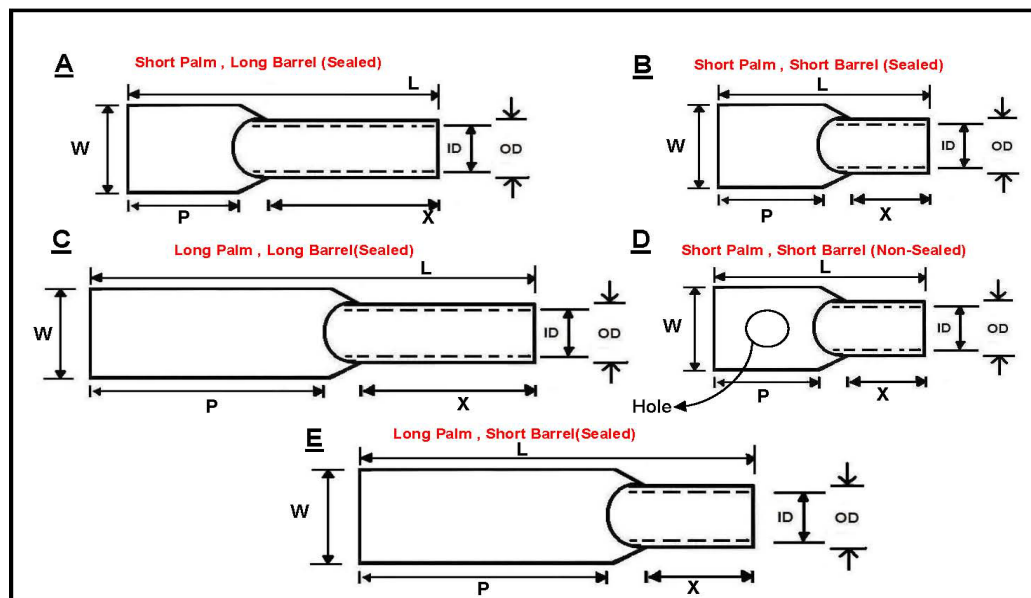
SPECIFICATION:

- CRIMP TYPE FOR HEXAGON AND INDENT DIE
- HIGH CONDUCTIVITY COPPER: 99% I.A.C.S
- COPPER PURITY: 99.9%
- FINISHING: TIN PLATED
- CORONA RELIEF TAPER END FOR
- APPLICATION UP TO 33KV
- "COPPER TUBE COMPLIANT TO MS 1540:2002"

Item Code	Size – Stud	A	B	C	W	OD	I.D.	FL	CL
DSSB-CA-LG-C300M12-2h	300mm ² – M12	14	45	16	45	30.5	23.5	154	50
DSSB-CA-LG-C95NS(BL)	95mm ² – Blank	16	45	18	25	17.5	13.5	118	25

LV/MV CABLE LUGS (With Hole / Without Hole)

- CRIMP TYPE FOR HEXAGON AND INDENT DIE
- HIGH CONDUCTIVITY COPPER: 99% I.A.C.S
- COPPER PURITY: 99.9%
- OUTDOOR CABLE LUG - NO PEEP-HOLE, PALM IS SOLDER SEALED TO STOP INGRESS OF WATER AND OIL
- FINISHING: TIN PLATED
- "COPPER TUBE COMPLIANT TO MS 1540:2020"



Size	Type	Dwg.	Code	P	W	O.D.	I.D.	L	X	Hole
300mm ²	Outdoor/Indoor	E	DSSB-CA-LG-300SSBLP	80.0	45.0	31.4	24.4	160.0	50.0	-
	Outdoor/Indoor	B	DSSB-CA-LG-300SSBSP	45.0	45.0	31.4	24.4	125.0	50.0	-
400mm ²	Outdoor/Indoor	E	DSSB-CA-LG-400SLBSP	86.0	50.0	34.4	26.7	175.0	60.0	-
	Outdoor/Indoor	C	DSSB-CA-LG-400SLBLP	86.0	50.0	34.4	26.7	196.0	80.0	-
500mm ²	Outdoor/Indoor	A	DSSB-CA-LG-500SLBSP	60.0	55.0	38.6	30.0	182.0	90.0	-
	Outdoor/Indoor	B	DSSB-CA-LG-500SSBSP	60.0	55.0	38.6	30.0	157.0	65.0	-
	Outdoor/Indoor	C	DSSB-CA-LG-500SLBLP	90.0	55.0	38.6	30.0	210.0	90.0	-
	Indoor Only	D	DSSB-CA-LG-500NSSBSP	60.0	55.0	38.6	30.0	155.0	65.0	16.5 / 20.5
630mm ²	Outdoor/Indoor	A	DSSB-CA-LG-630SLBSP	65.0	64.0	44.7	34.5	190.0	90.0	-
	Outdoor/Indoor	B	DSSB-CA-LG-630SSBSP	65.0	64.0	44.7	34.5	165.0	65.0	-
	Outdoor/Indoor	C	DSSB-CA-LG-630SLBLP	90.0	64.0	44.7	34.5	215.0	90.0	-
	Indoor Only	D	DSSB-CA-LG-630NSSBSP	65.0	64.0	44.7	34.5	165.0	65.0	16.5 / 20.5

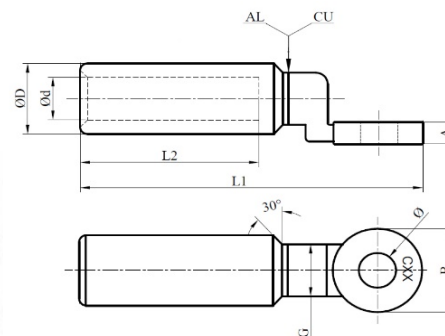
* All dimensions in mm

BI- METAL CABLE LUG (COPPER- ALUMINIUM LUG)

Item Code	Conductor Size (mm ²)	Stud Hole (mm)	B	A	L1	L2	D	d	G
DSSB-CNT-LUG-BI16	16	10.5	20	4	80	43	16	5.5	12
DSSB-CNT-LUG-BI25	25	10.5	20	4	80	43	16	6.5	12
DSSB-CNT-LUG-BI35	35	10.5	20	4	80	43	16	8.5	12
DSSB-CNT-LUG-BI50	50	12.8	24	5	88	43	20	9.5	14.8
DSSB-CNT-LUG-BI70	70	12.8	24	5	88	43	20	11.0	14.8
DSSB-CNT-LUG-BI95	95	12.8	24	5	88	43	20	12.5	14.8
DSSB-CNT-LUG-BI120	120	12.8	30	6	110	59	25	13.7	18.8
DSSB-CNT-LUG-BI150	150	12.8	30	6	110	59	25	15.5	18.8
DSSB-CNT-LUG-BI185	185	12.8	35	7	116	59	32	17.0	23.8
DSSB-CNT-LUG-B240	240	12.8	35	7	116	59	32	19.5	23.8
DSSB-CNT-LUG-BI300	300	16.5	36	7.5	155	93	40	23.3	28
DSSB-CNT-LUG-BI400	400	16.5	36	7.5	155	93	40	26.0	28
DSSB-CNT-LUG-BI500	500	17.0	60x60	10	195	94	47	29.1	36.8
DSSB-CNT-LUG-BI630	630	17.0	60x60	10	195	94	47	32.5	36.8
DSSB-CNT-LUG-BI800	800	blank	80x80	10	260	125	60	39.0	45
DSSB-CNT-LUG-BI1000	1000	blank	80x80	10	260	125	60	43.0	45

Tested to IEC 61238

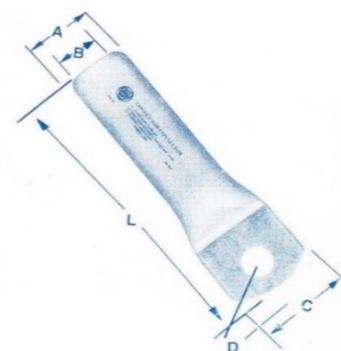
- *All lugs are pre-filled with jointing compound, plugged and individually labeled.
- *All dimensions are based on French Standard : **Standard De France HN 68-S-90 & TNB-MALAYSIA**
- Manufactured from solid Aluminium and solid Copper, Friction Welded
- For Hexagon Die and Indent Die



ONE BOLT COMPRESSION TERMINALS

- For aluminium circular conductors
- Die formed from thick walled aluminum tube-available with Palm hole drilled to requirements
- For Hexagon & Indent Die Aluminium : AL 99.5

All terminals are pre-filled with compound, plugged and individually labelled "Belleville Washers" ensure constant bolt pressure on palm joint.



Item Code	Conductor Size Area mm ²	Dimensions (mm)				
		B	L	C	A	D
DSSB-CNT-LUG-EPT25M	25	6.5	76	21	16	8.4
DSSB-CNT-LUG-EPT50M	50	9	91	27	20	13.2
DSSB-CNT-LUG-EPT70M	70	11.4	91	27	20	13.2
DSSB-CNT-LUG-EPT95M	95	12.5	91	27	20	13.2
DSSB-CNT-LUG-EPT120M	120	14.2	115	35	25	13.2
DSSB-CNT-LUG-EPT150M	150	15.5	115	35	25	13.2
DSSB-CNT-LUG-EPT185M	185	18.8	122	42	32	13.2
DSSB-CNT-LUG-EPT240M	240	19.5	122	44	32	13.2
DSSB-CNT-LUG-EPT300M	300	24.4	163	50	40	17
DSSB-CNT-LUG-EPT400M	400	26.0	163	55	40	17
DSSB-CNT-LUG-EPT500M	500	29.1	190	65	47	17

WIRE END CAP

Item Code	Wire Size
DSSB-EC-VWV1.25	1.5mm ²
DSSB-EC-VWV2.0	2.5mm ²
DSSB-EC-VWV3.5	4.0mm ²
DSSB-EC-VWV5.5	6.0mm ²
DSSB-EC-VWV8.0	10.0mm ²
DSSB-EC-VWV14	16.0mm ²
DSSB-EC-VWV22	25/35mm ²
DSSB-EC-VWV38	50mm ²
DSSB-EC-VWV60	70mm ²
DSSB-EC-VWV80	95mm ²
DSSB-EC-VWV100	120mm ²
DSSB-EC-VWV125	150mm ²
DSSB-EC-VWV150	185mm ²
DSSB-EC-VWV200	240mm ²
DSSB-EC-VWV250	300mm ²
DSSB-EC-VWV325	400mm ²
DSSB-EC-VWV400	400mm ²
DSSB-EC-VWV500	500mm ²
DSSB-EC-VWV630	630mm ²



ELECTRICAL JOINT COMPOUND (EJC / OXIDE INHIBITING CONTACT GREASE- GREY) 250G

Item Code	Per Bottle
DSSB-CNT-GR-OIC250GY	250G

Electrical Contact Grease compound is formulated to improve jointing conductivity and inhibit oxidation and corrosion between jointing contact areas. It even prevent water and contaminants to be on the surface.

It is also suitable for Aluminium to Aluminium, and Aluminium to Copper compression or bolted joints.



[Click Here For Product Flyer](#)

ISOLATOR CONTACT GREASE (RED) - 250G

Item Code	Per Bottle
DSSB-CNT-GR-OIC250R	250G

Benefits

- DELTA 122 G provides the following benefits:
- ~ vary wide operating temperature benefits
 - ~ outstanding high and low temperature performance
 - ~ extended relubrication intervals
 - ~ excellent protection against fretting wear and corrosion
 - ~ resistance to water washout
 - ~ reduced energy consumption (low coefficient of friction)
 - ~ lead and chlorine free



Data Sheet

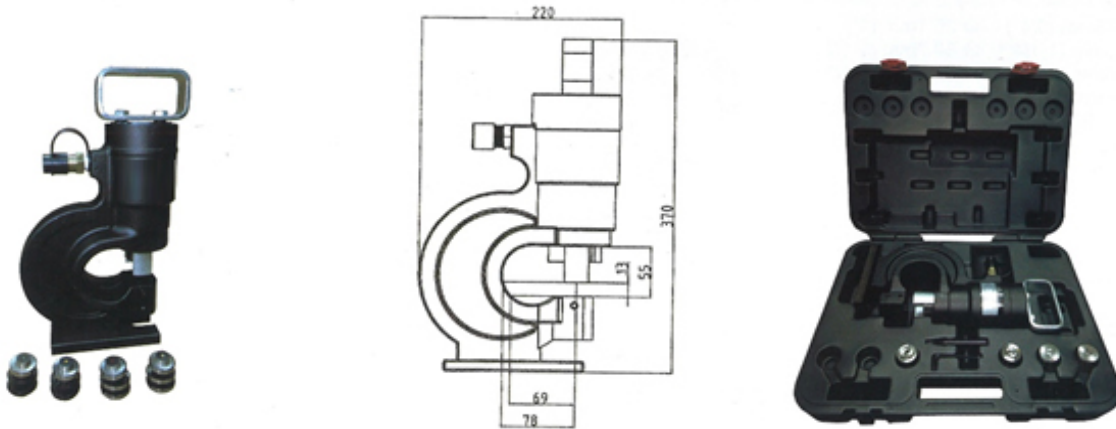
Low temperature grease for all types of bearings, spur gears and worm gears, as well as valves in compressed air breakers. It is suitable for lubricating silver-plated contacts in air (e.g., dis-connector contacts). It is also used for greasing nitrile o-rings and protection against fretting corrosion on circuit-breaker.

Product Description

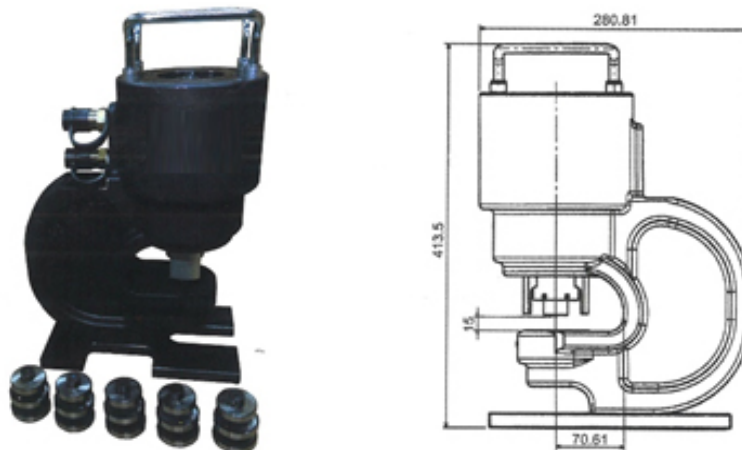
DELTA 122 G is a high performance, high temperature anti-wear grease which combines the unique features of a synthetic base fluid with an organo-clay (non-soap) thickener. The wax-free nature of the synthetic base fluid, together with its low coefficient of traction compared with mineral oils, provide excellent low temperature pumpability very low starting and running torque, and can reduce operating temperatures in the load zone of rolling element bearings. The clay thickener provides excellent thermal stability at high temperatures and DELTA 122 G has a high dropping point value of 260°C.

HYDRAULIC PUNCHING TOOLS

HYDRAULIC PUNCHING HOLE MACHINE - DESK-TOP TYPE



Item Code	Output (Tons) at Pressure 700kg/cm ²	Throat Depth (mm)	Max Thickness (mm)	Content	Weight (kg)
DSSB-CNT-PP-70	30	70	10	Punching Set (4 pcs) Ø 10.5mm (3/8") Ø 13.5mm (1/2") Ø 17.5mm (5/8") Ø 20.5mm (3/4")	13kg Without pump



Item Code	Output (Tons) at Pressure 700kg/cm ²	Throat Depth (mm)	Max Thickness (mm)	Content	Weight (kg)
DSSB-CNT-PP-80	50	70	15	Punching Set (5 pcs) Ø 10.5mm (3/8") Ø 13.5mm (1/2") Ø 17.5mm (5/8") Ø 20.5mm (3/4") Ø 25.5mm (1")	42kg Without pump

HYDRAULIC PUNCHING TOOLS

Delta Sama Jaya Sdn.Bhd.



DELTA SAMA JAYA
www.substation.com.my

We are constantly reviewing and updating our products,
for the latest information please call us on (+603) 9281 3778
or visit our website at: www.substation.com.my